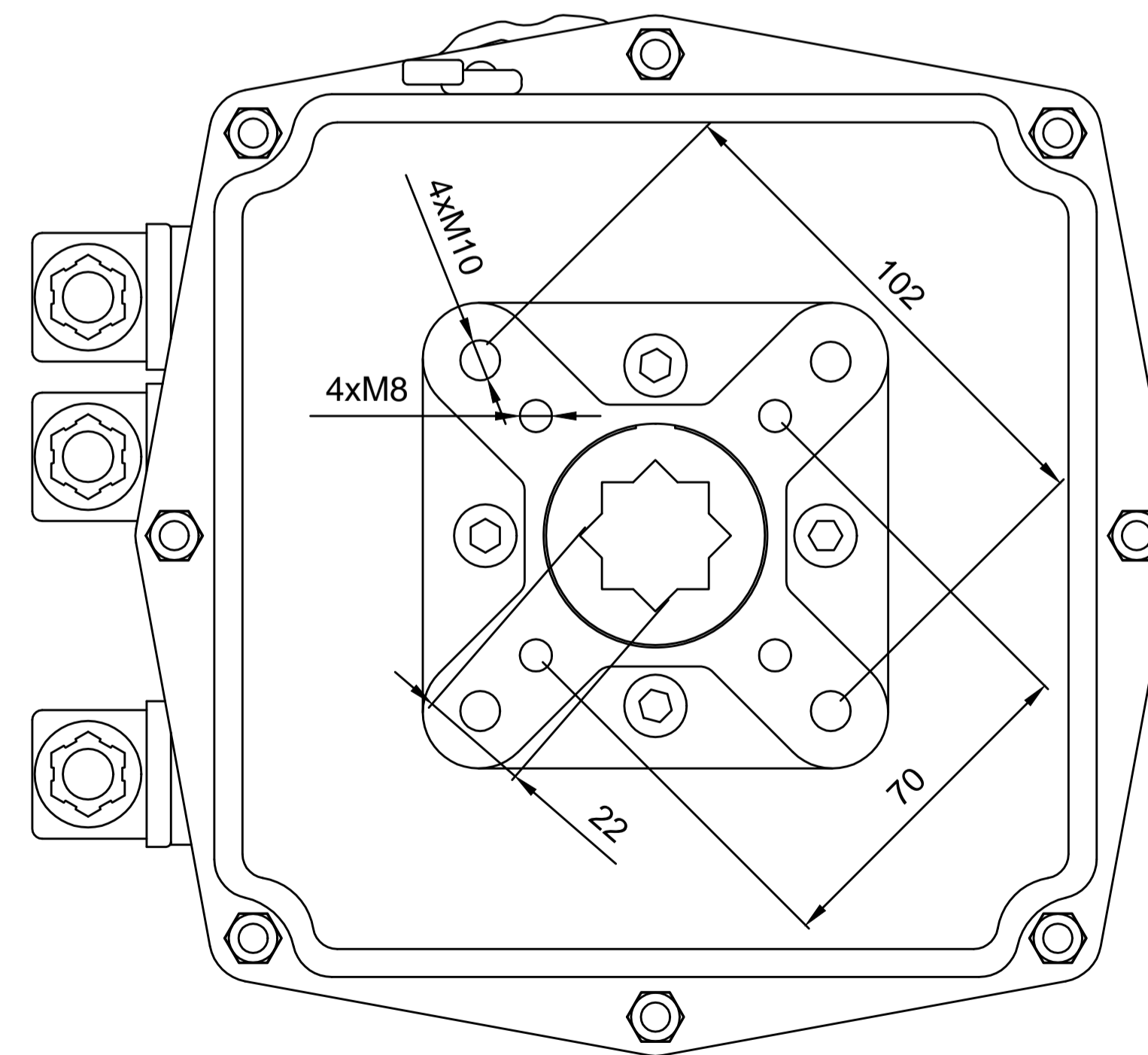
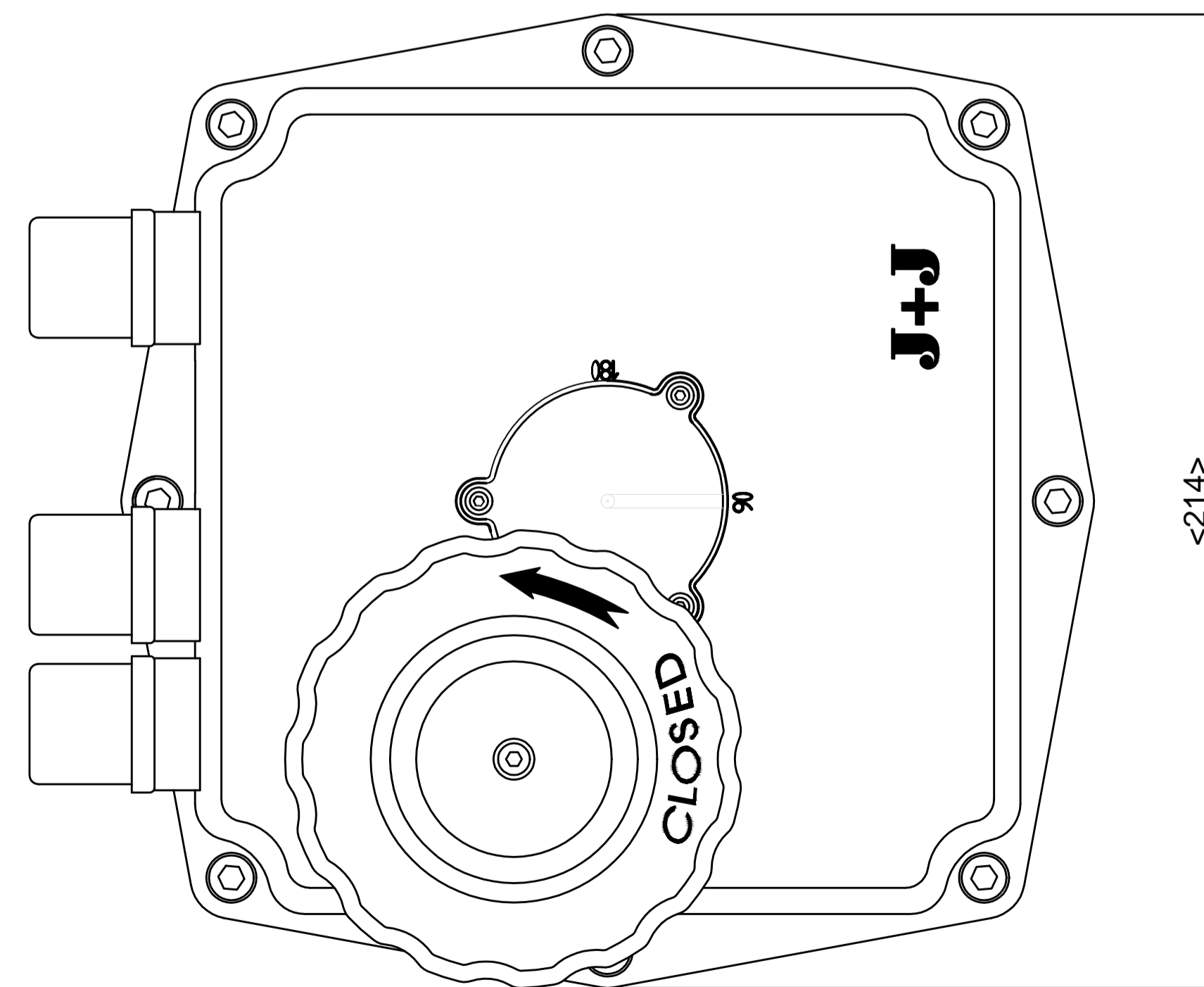
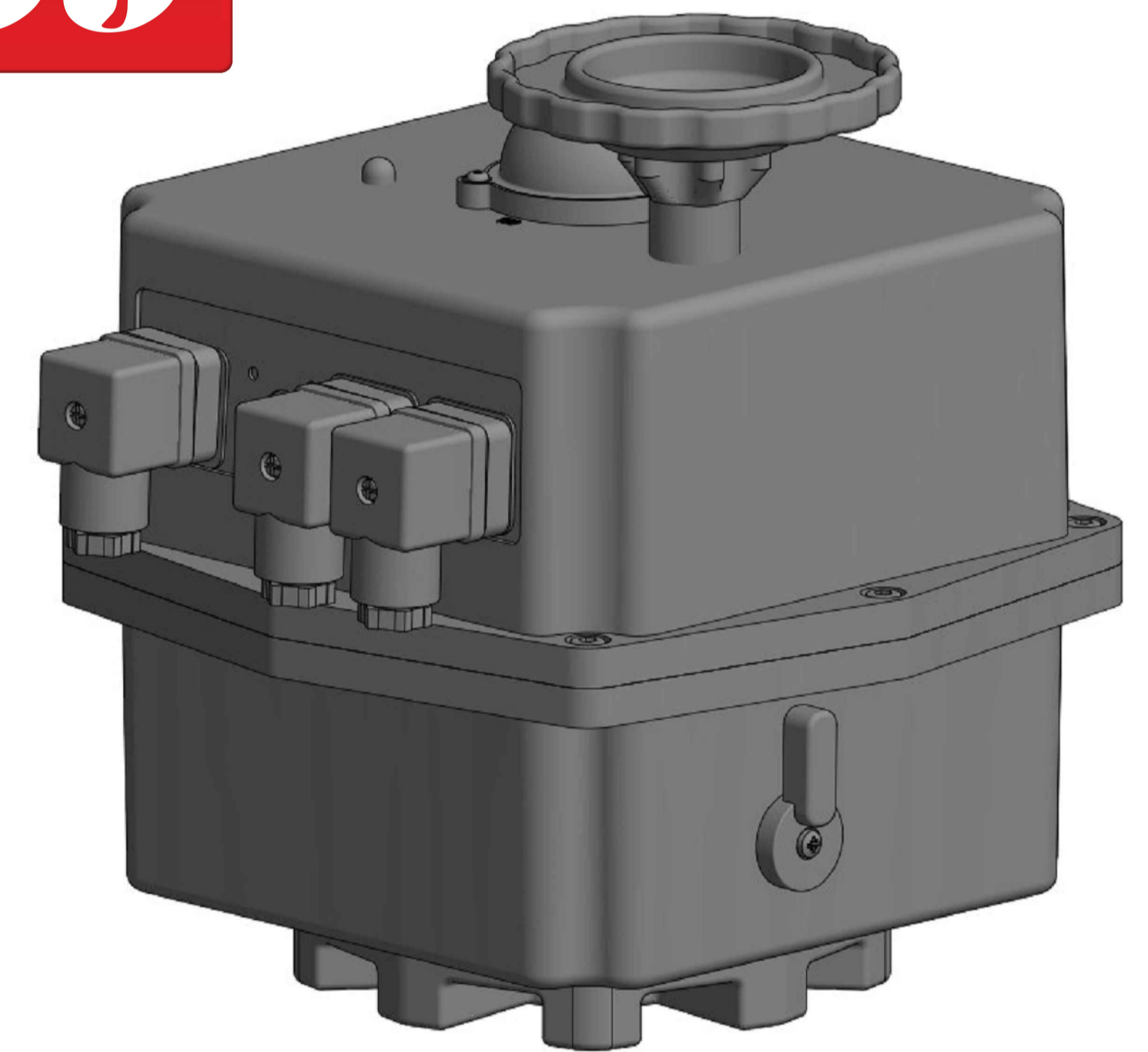
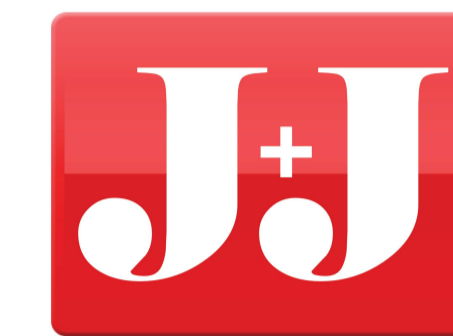
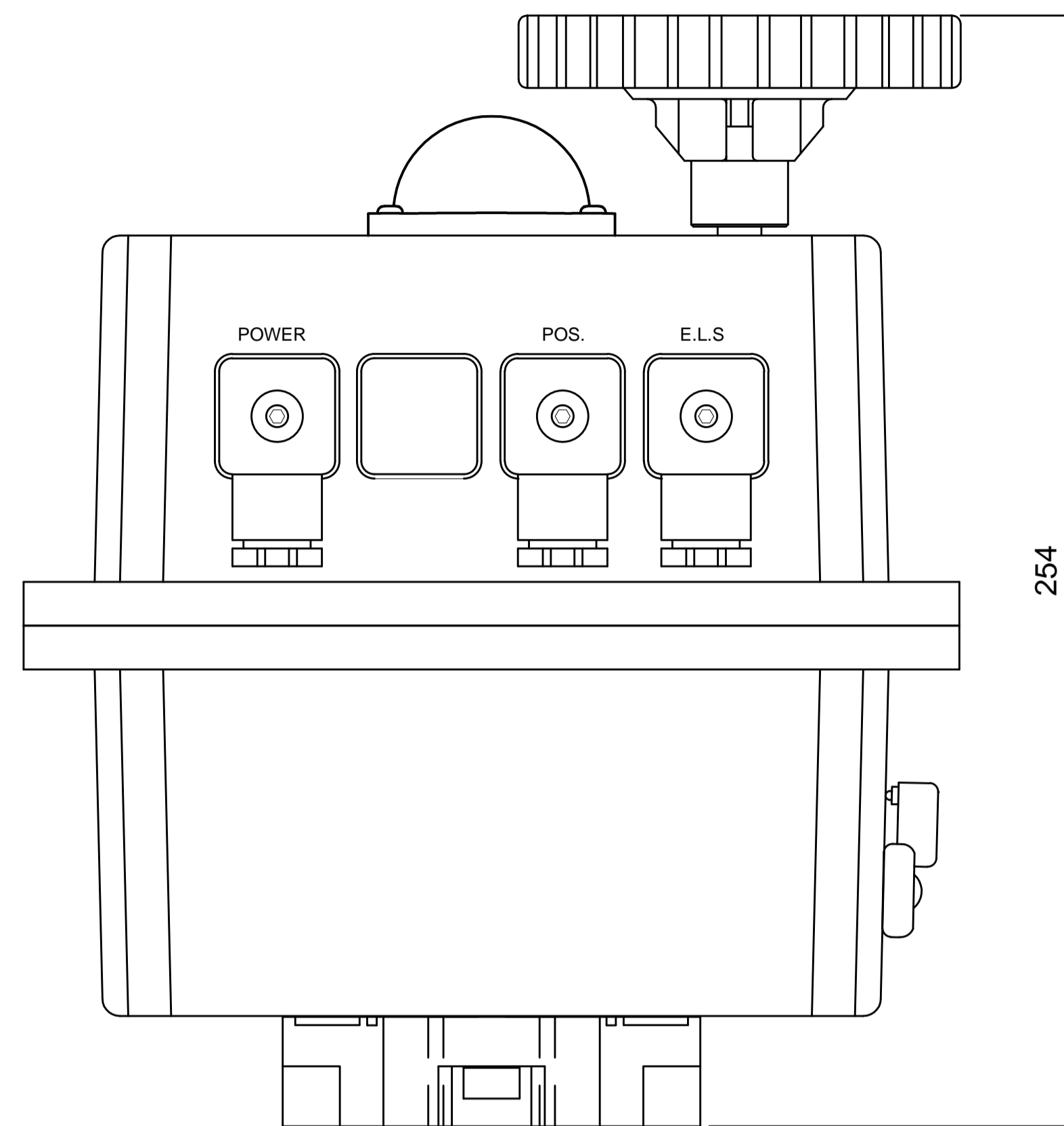
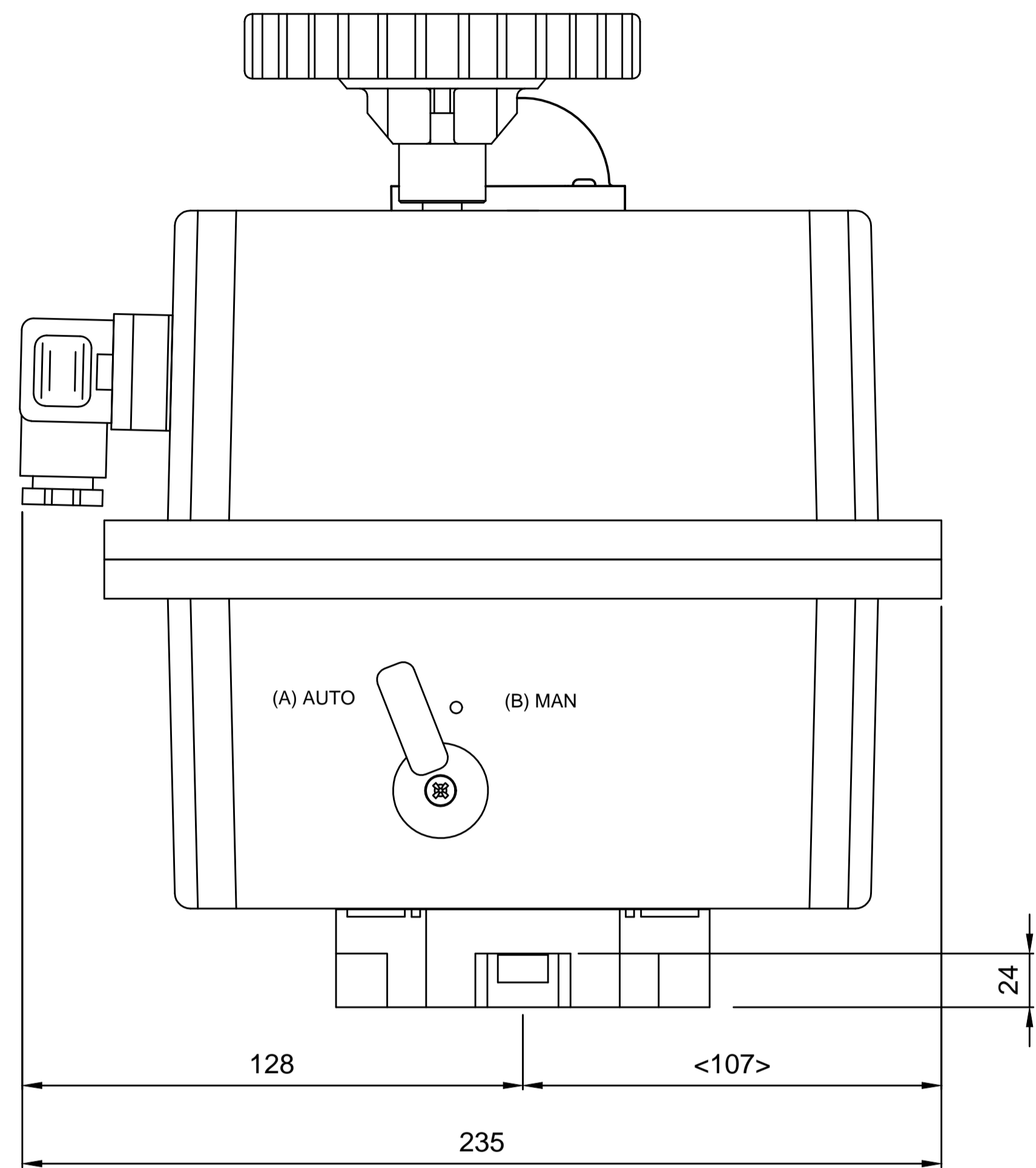


IF IN DOUBT ASK!

DO NOT SCALE PRINT!

DRAWING TO BS 8888



Notes:
1. Std = Grey base, red JJ logo cover 3 plugs

AVS
Actuated Valve Supplies Limited

TITLE J3C-140-DPS MODULATING J+J
ELECTRIC ACTUATOR WITH JJ LOGO

STOCK CODE J+J-J3C-140-DPS DIM ARE mm

SCALE 1:1.1

| | | | | |
|----------------|------------|----------|-------|--------------|
| JRM | HMM | SBW | NEW | 31.07.17 |
| APPROVED BY | CHECKED BY | DRAWN BY | ISSUE | CHANGE NO. |
| J+J3C-140-DPS | | | | DATE |
| DRAWING NUMBER | | | | SHEET 1 OF 1 |

| | | | | |
|----------------|------------|----------|-------|--------------|
| JRM | HMM | SBW | NEW | 31.07.17 |
| APPROVED BY | CHECKED BY | DRAWN BY | ISSUE | CHANGE NO. |
| J+J3C-140-DPS | | | | DATE |
| DRAWING NUMBER | | | | SHEET 1 OF 1 |