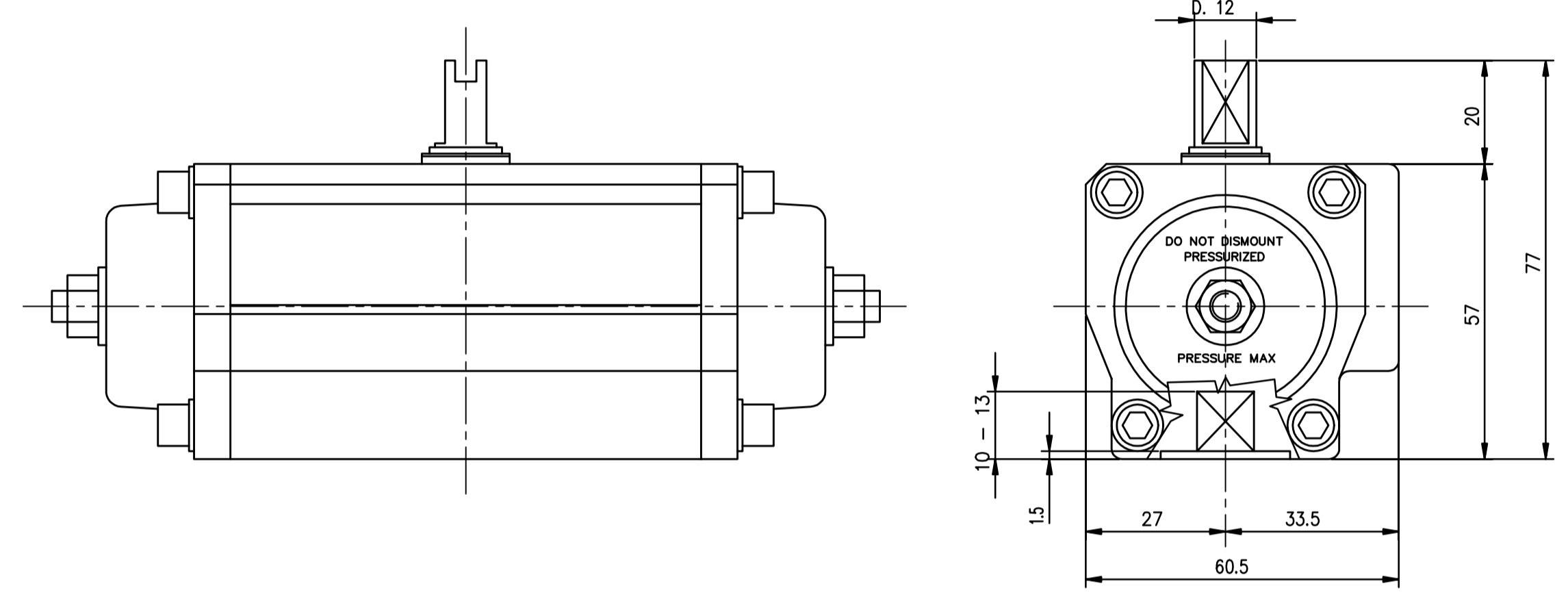
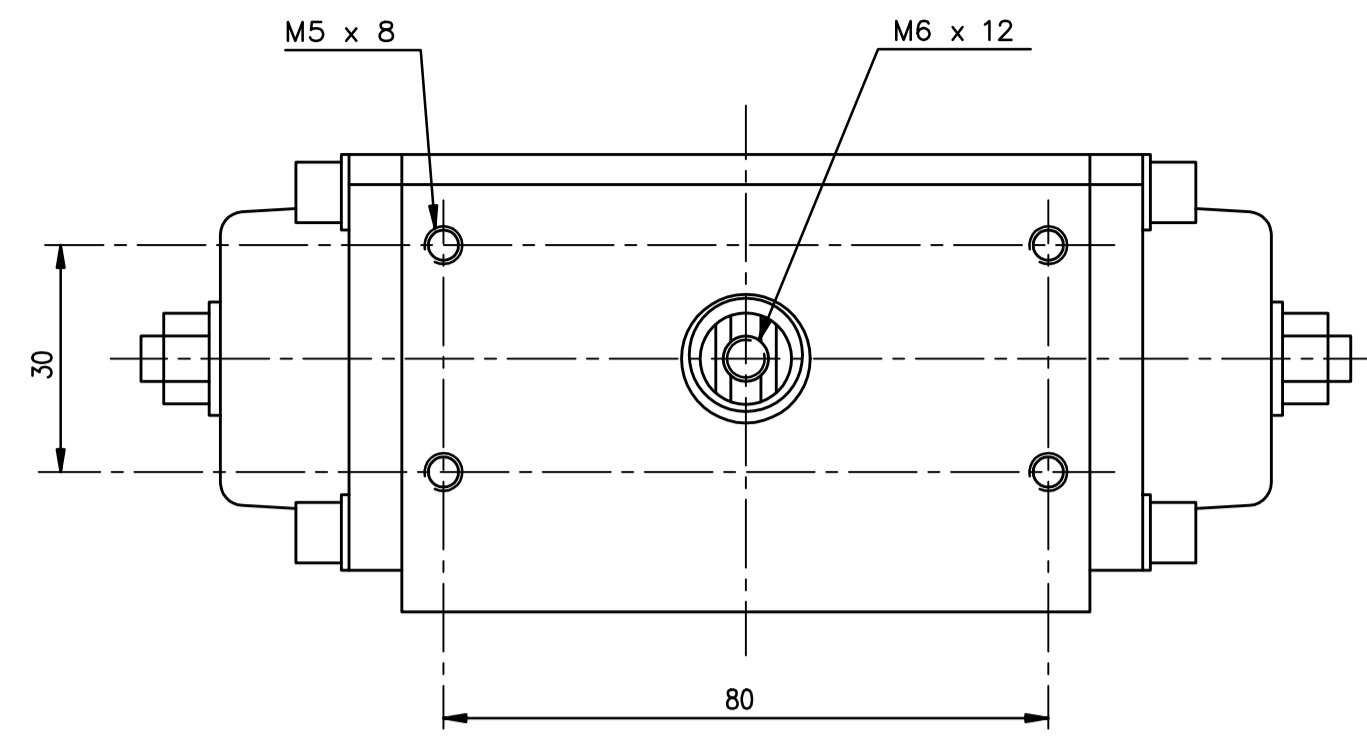


IF IN DOUBT ASK!

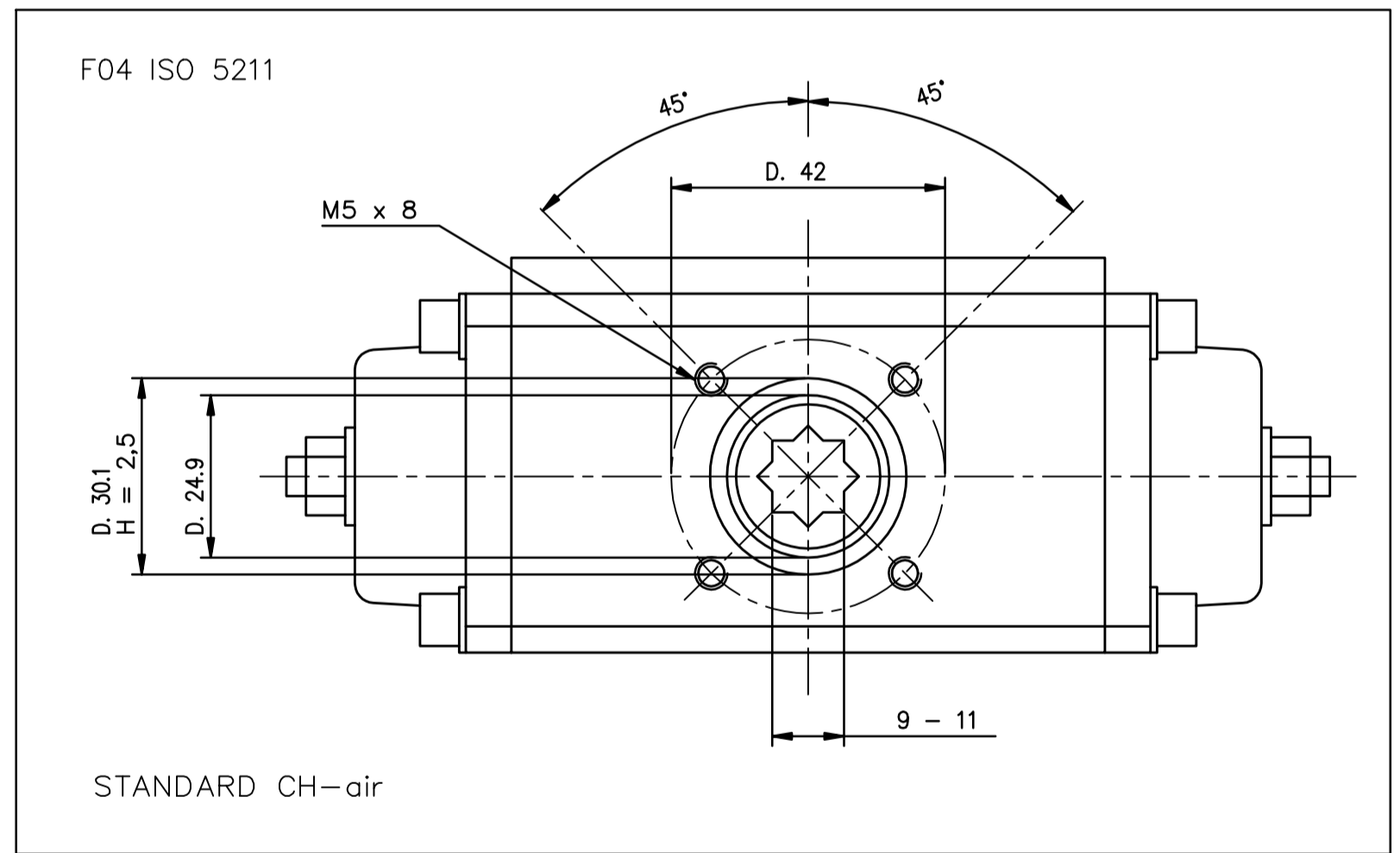
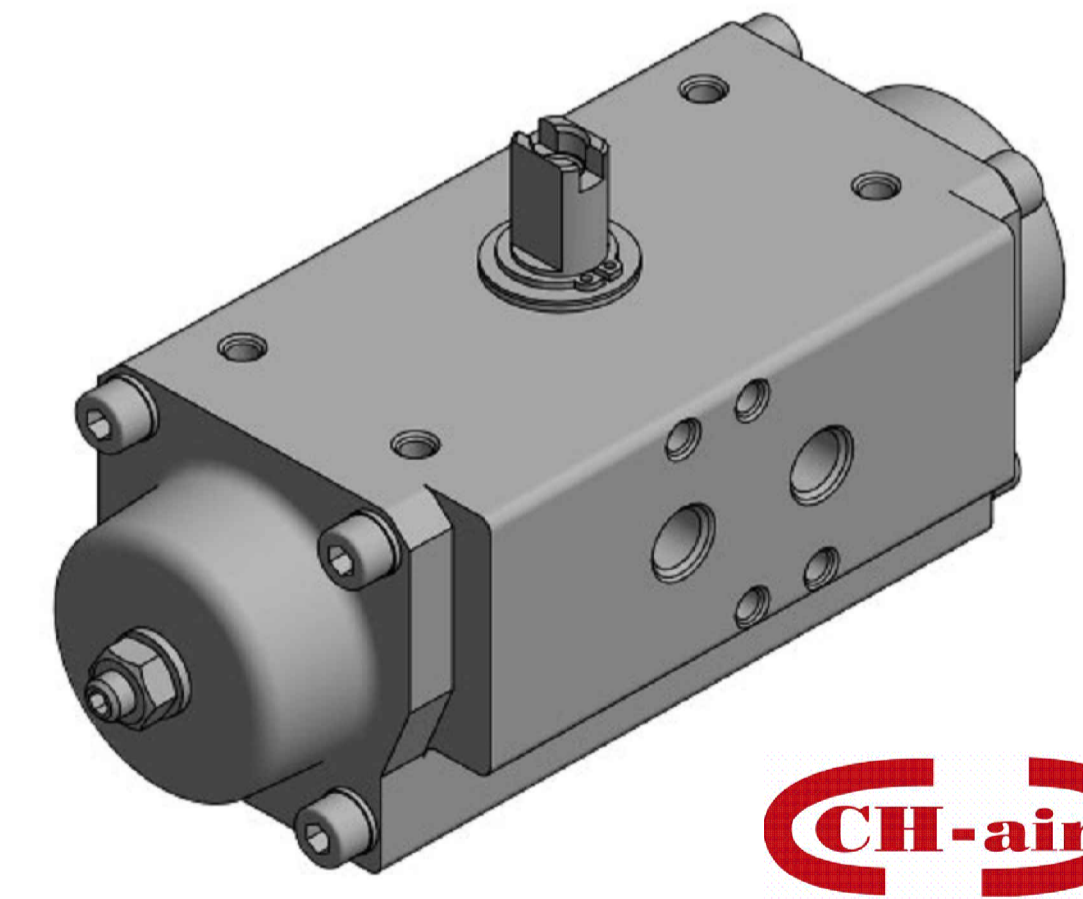
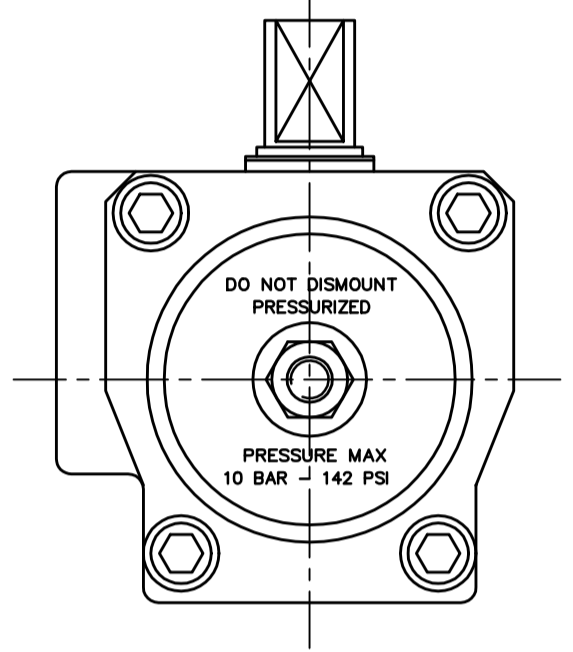
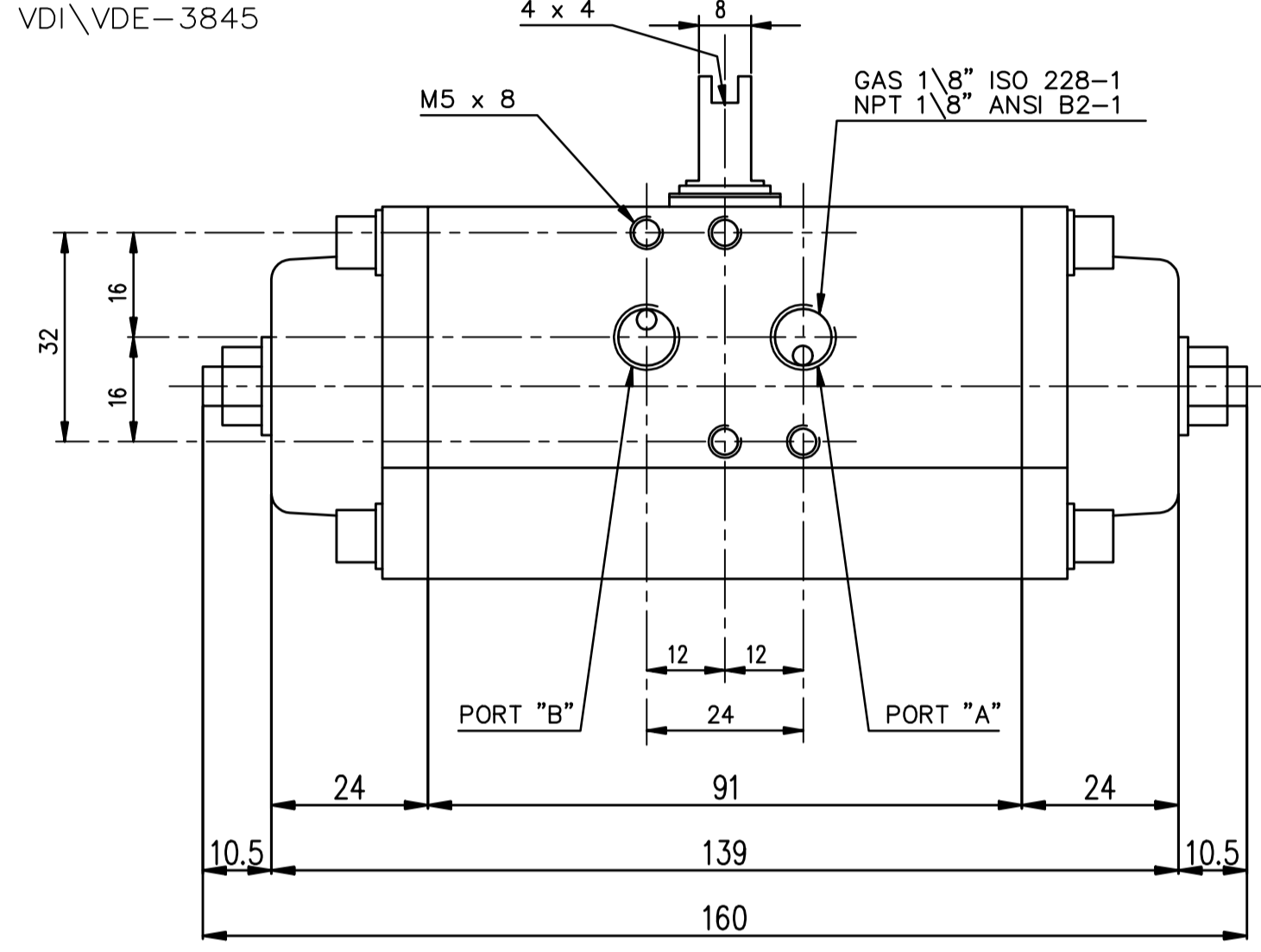
DO NOT SCALE PRINT!

DRAWING TO BS 8888

VDI\VDE-3845

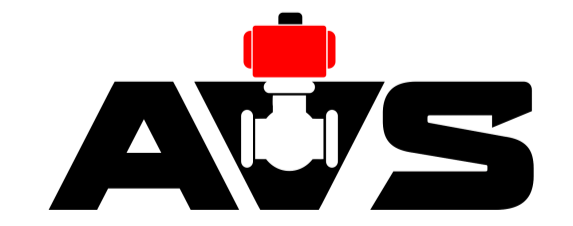
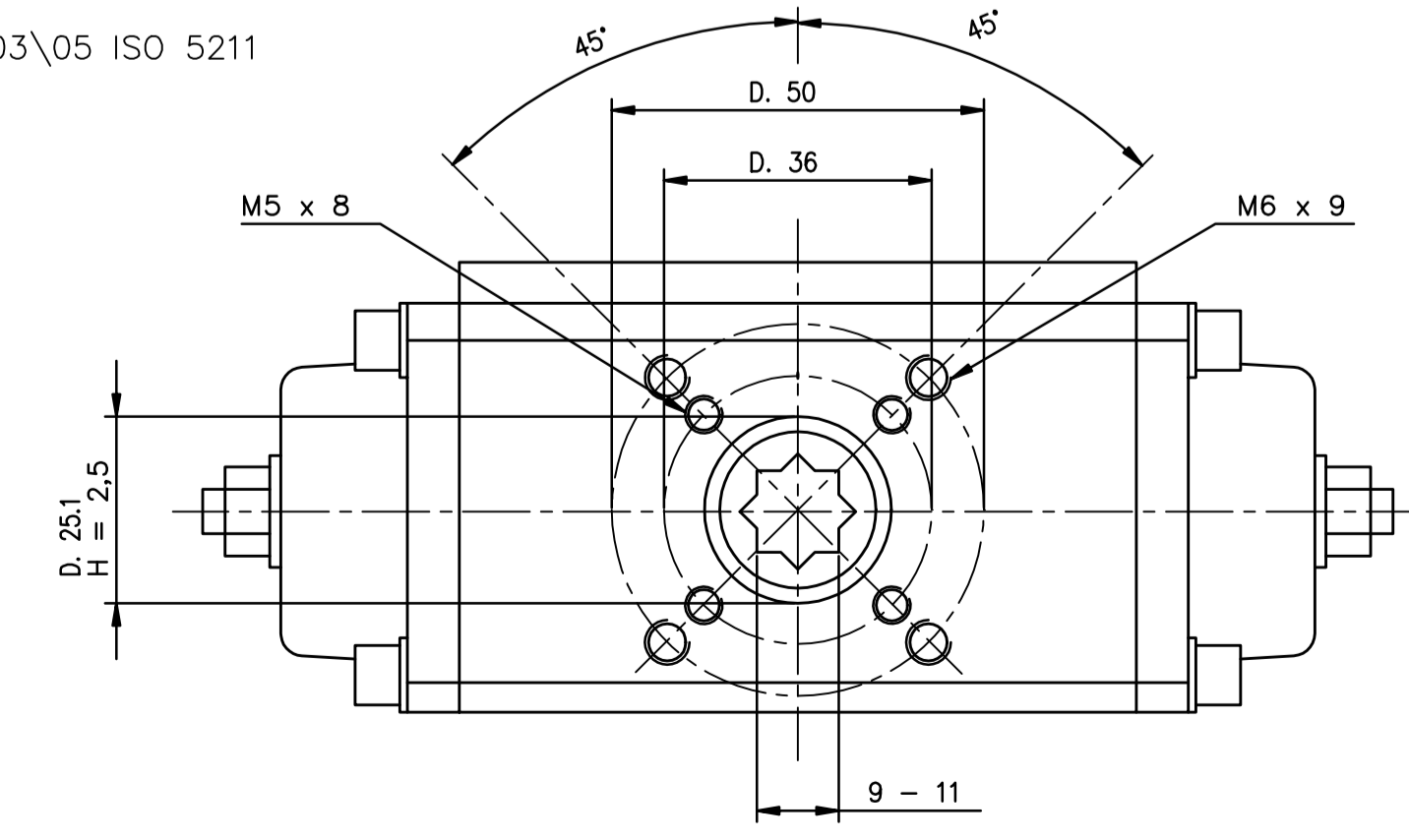


VDI\VDE-3845



STANDARD CH-air

F03\05 ISO 5211



TITLE		CH-air MODEL A-042 PNEUMATIC ACTUATOR - ALUMINIUM	
STOCK CODE	CH-AIR-A-042-CAD	DIM ARE mm	SCALE 1:1
APPROVED BY	JRM	CHECKED BY	HMM
DRAWN BY	SBW	ISSUE	NEW
CHANGE NO.		DATE	30.08.17
DRAWING NUMBER		CH-AIR-A-042-CAD	
SHEET 1		OF 1	

JRM	HMM	SBW	NEW		30.08.17
APPROVED BY	CHECKED BY	DRAWN BY	ISSUE	CHANGE NO.	DATE