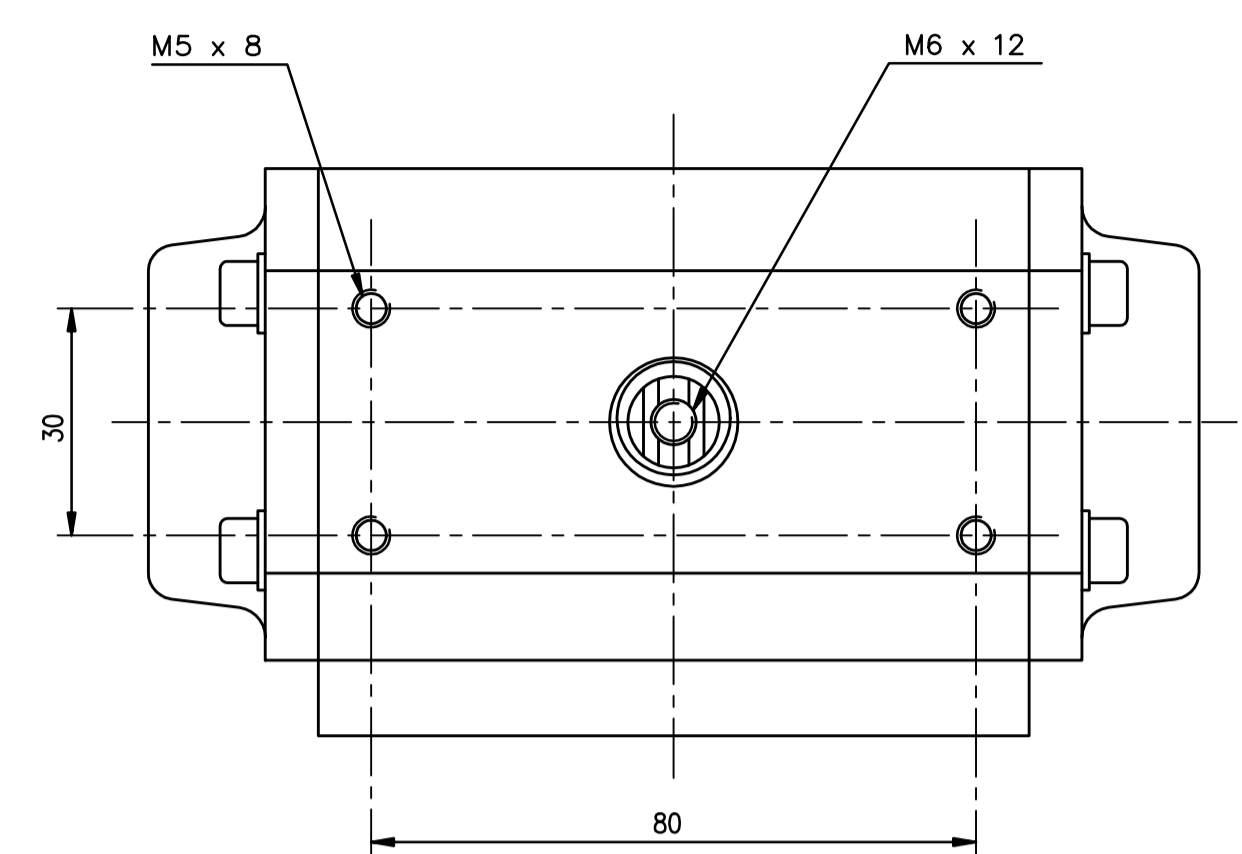


IF IN DOUBT ASK!

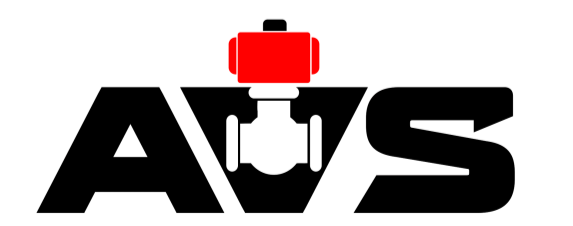
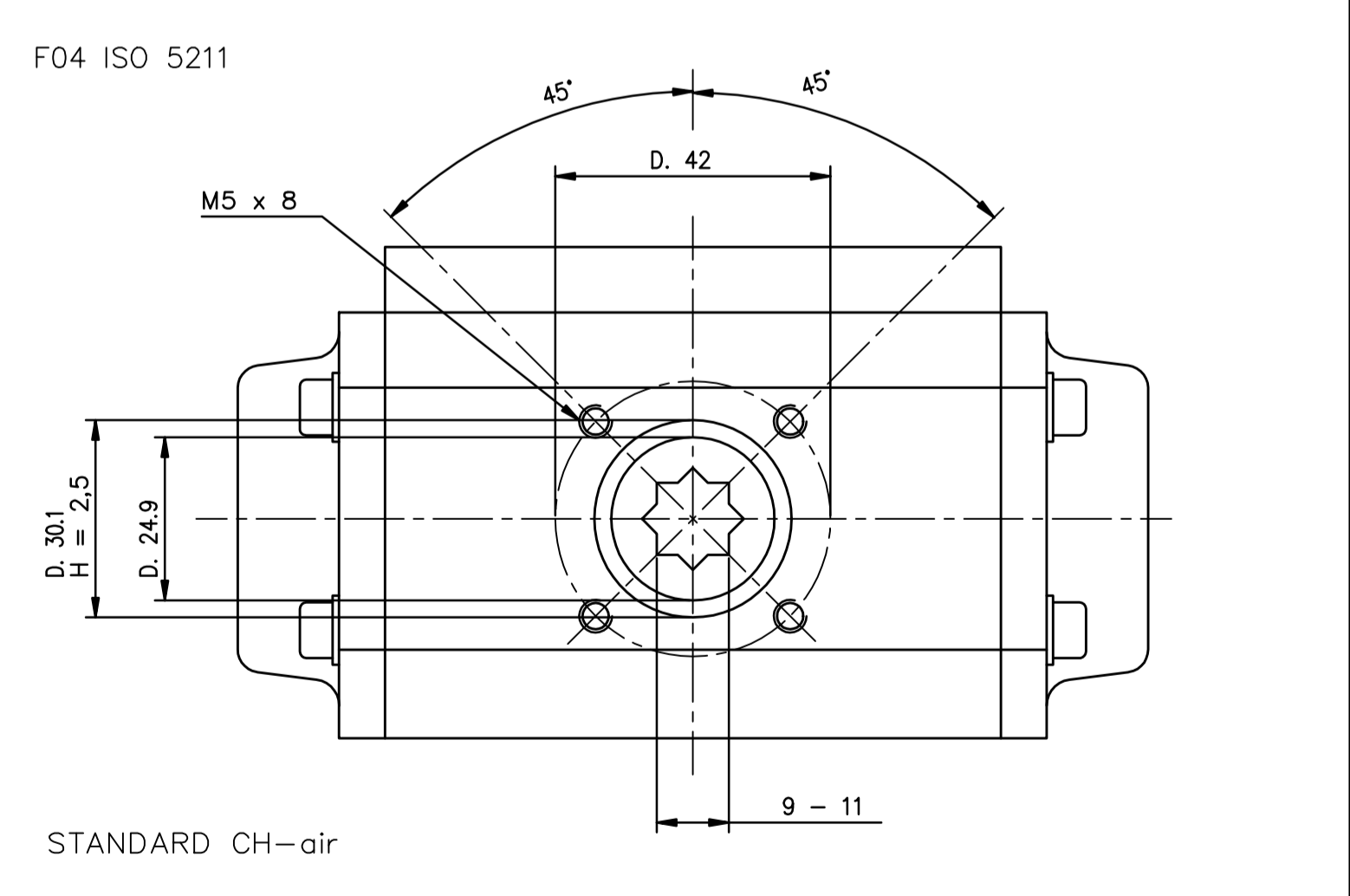
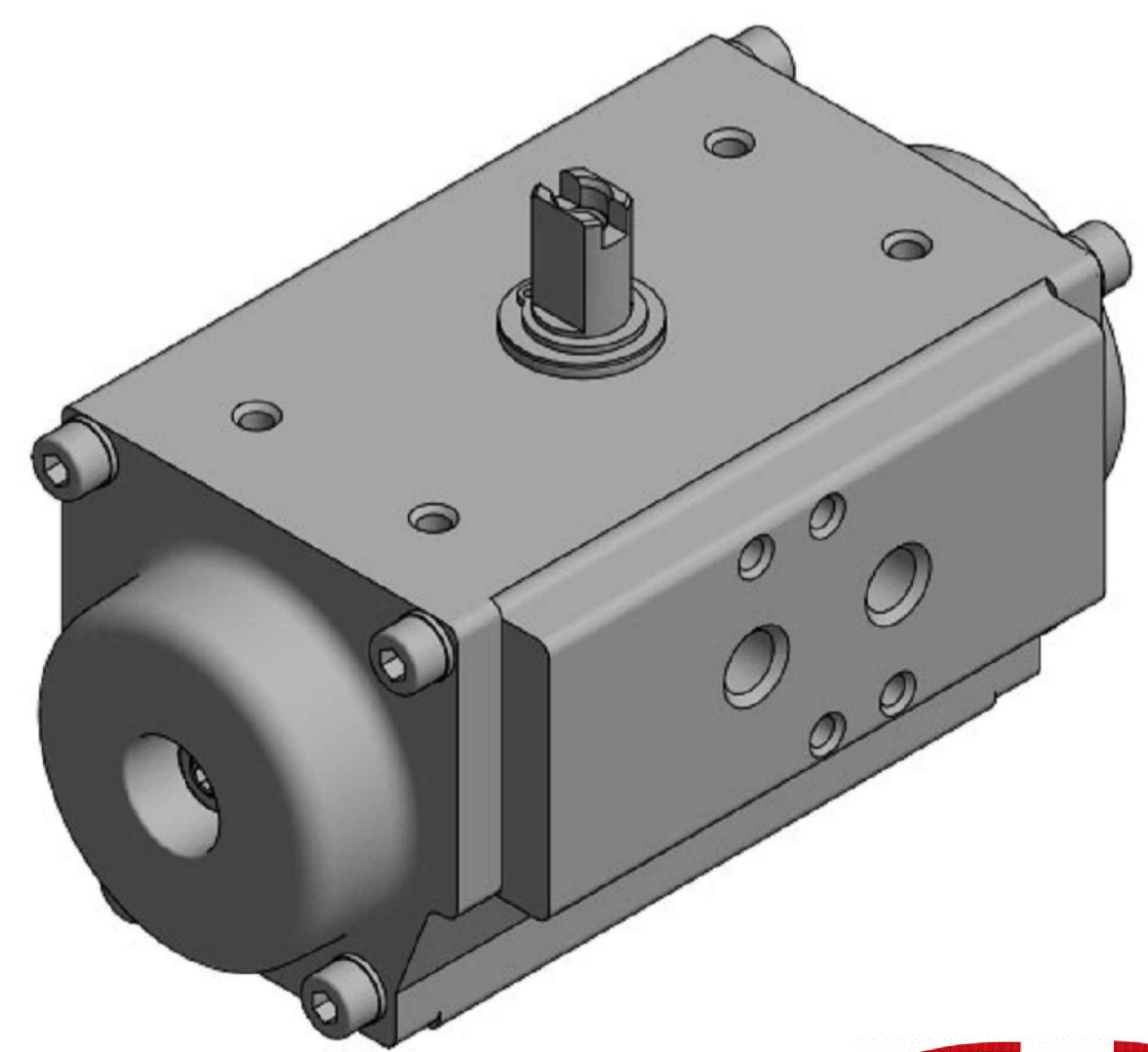
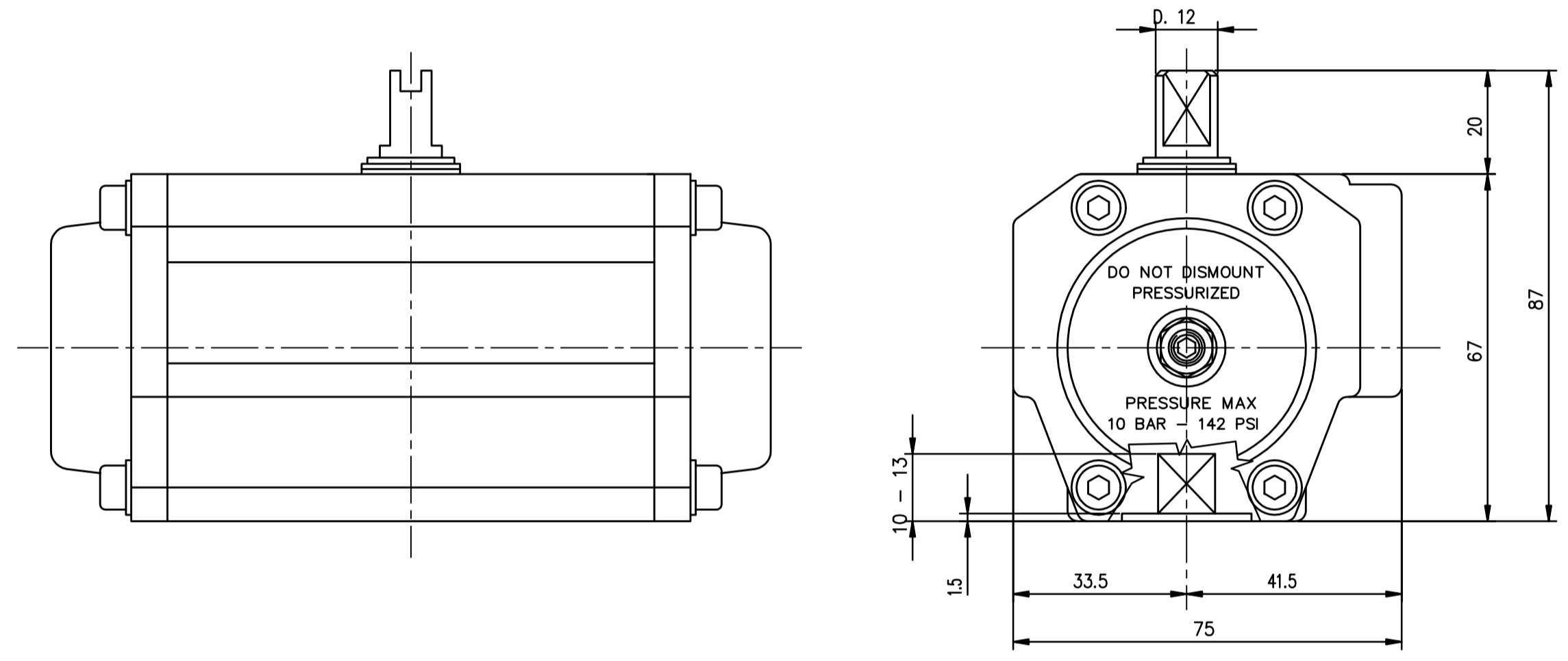
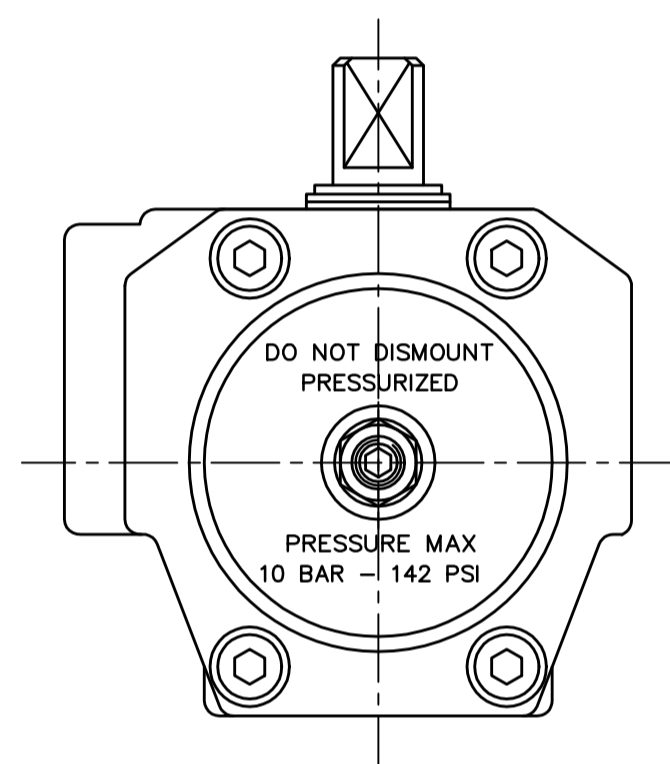
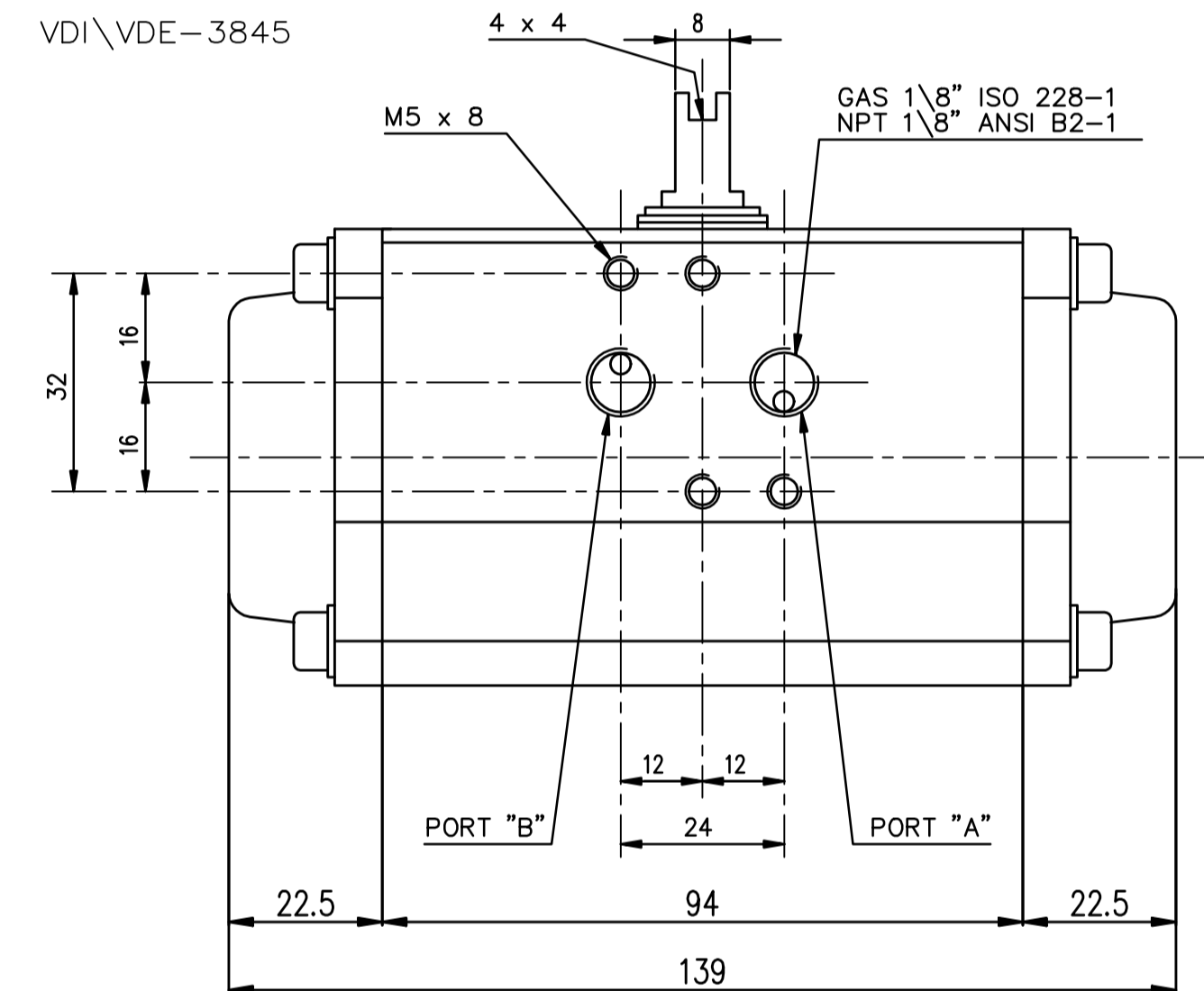
DO NOT SCALE PRINT!

DRAWING TO BS 8888

VDI\ VDE-3845



VDI\ VDE-3845



TITLE CH-air MODEL A-050 PNEUMATIC ACTUATOR - ALUMINIUM CH-AIR-A-050-CAD		DIM ARE mm SCALE 1:1
STOCK CODE CH-AIR-A-050-CAD	CH-AIR-050-DWG1-CAD	
DRAWING NUMBER CH-AIR-A-050-CAD	SHEET 1 OF 2	

JRM	HMM	SBW	NEW		30.08.17
APPROVED BY	CHECKED BY	DRAWN BY	ISSUE	CHANGE NO.	DATE