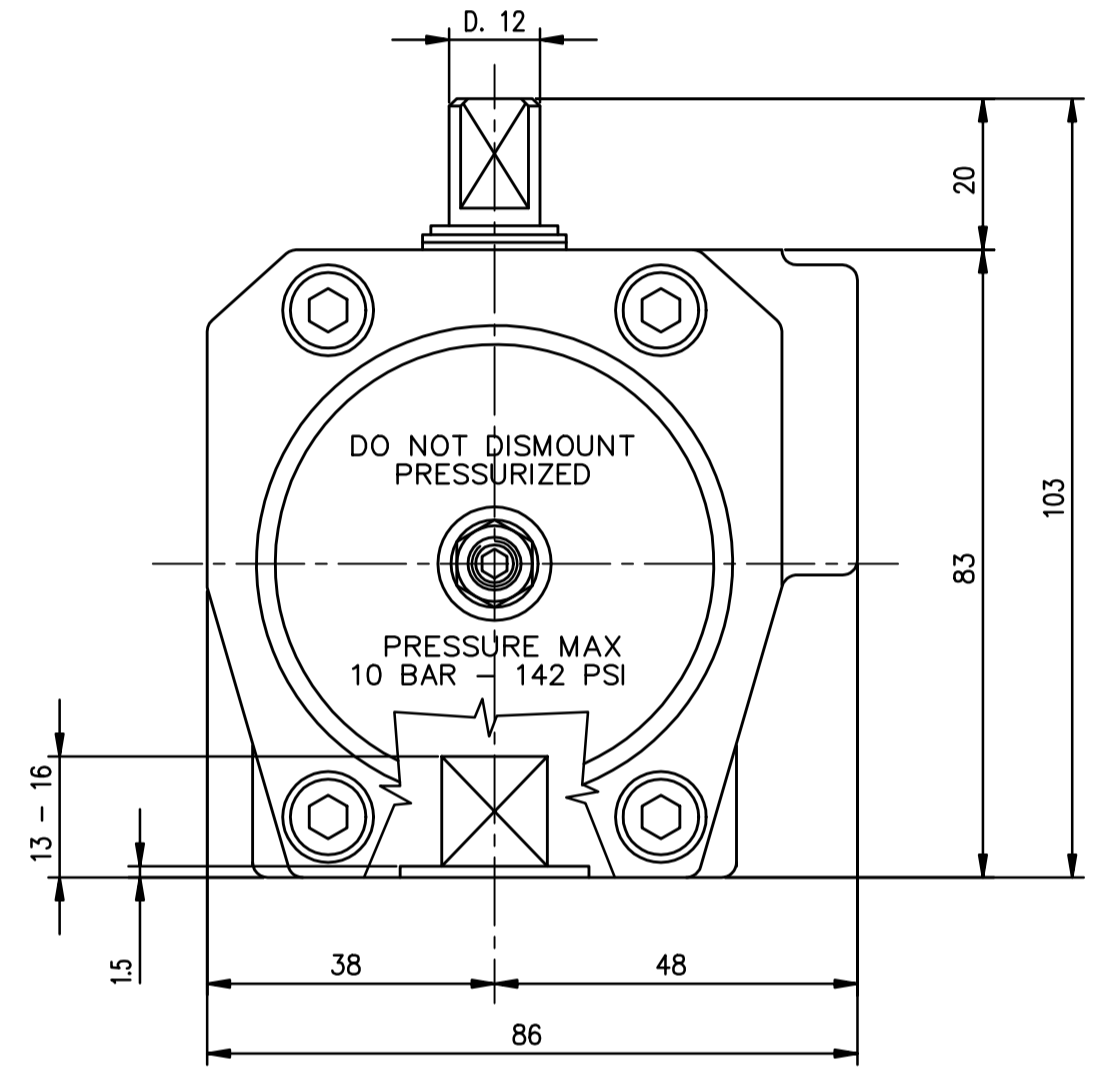
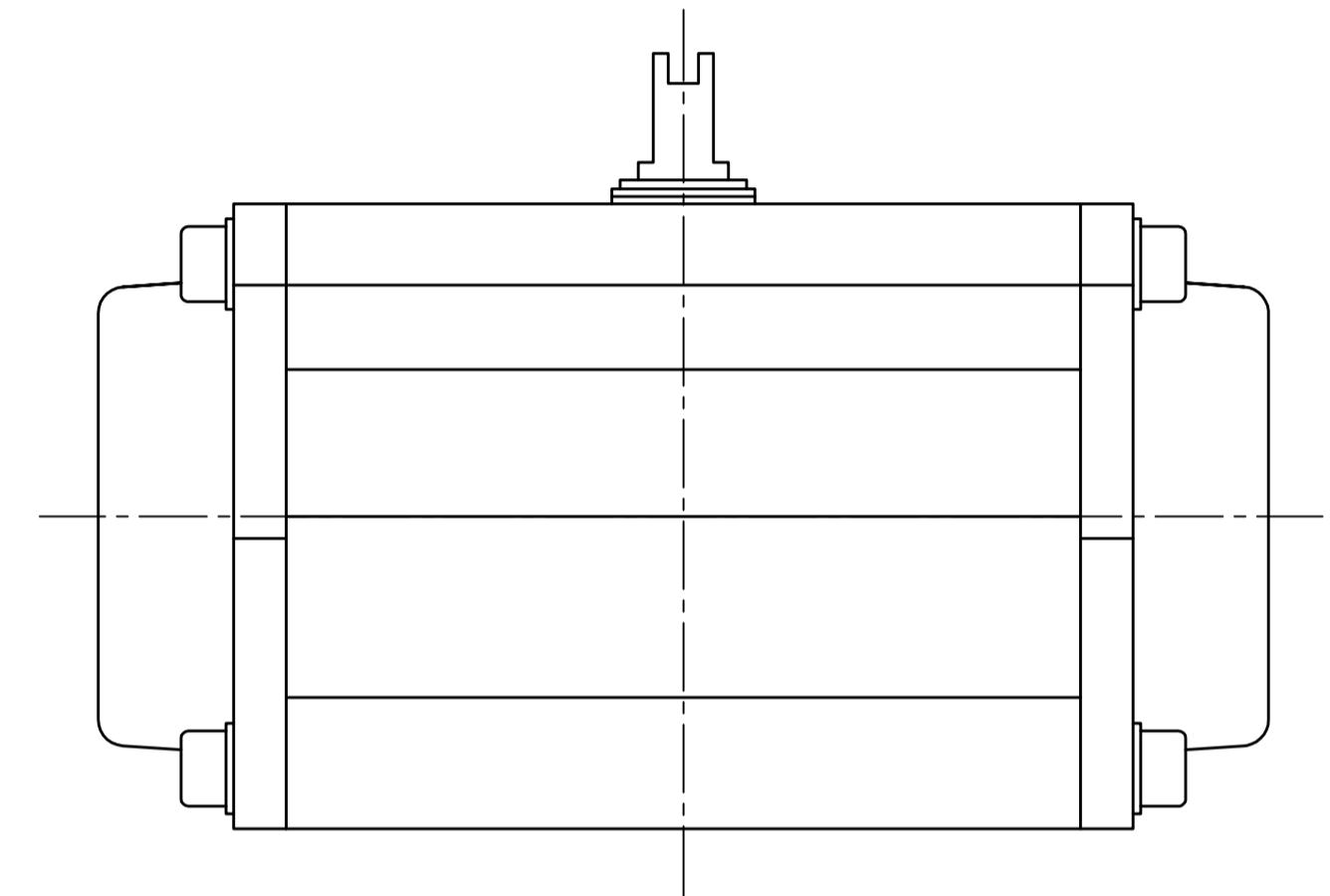
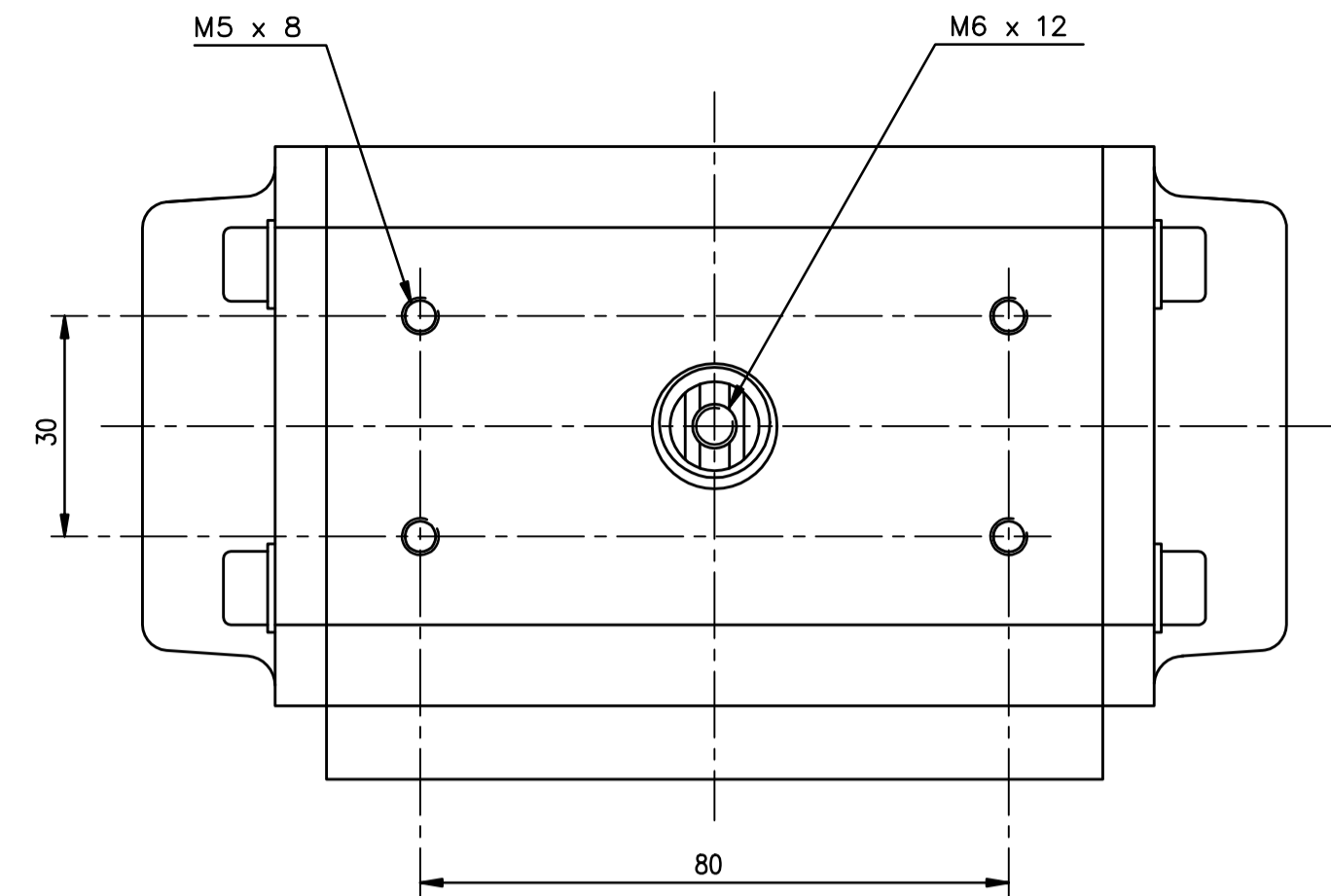


IF IN DOUBT ASK!

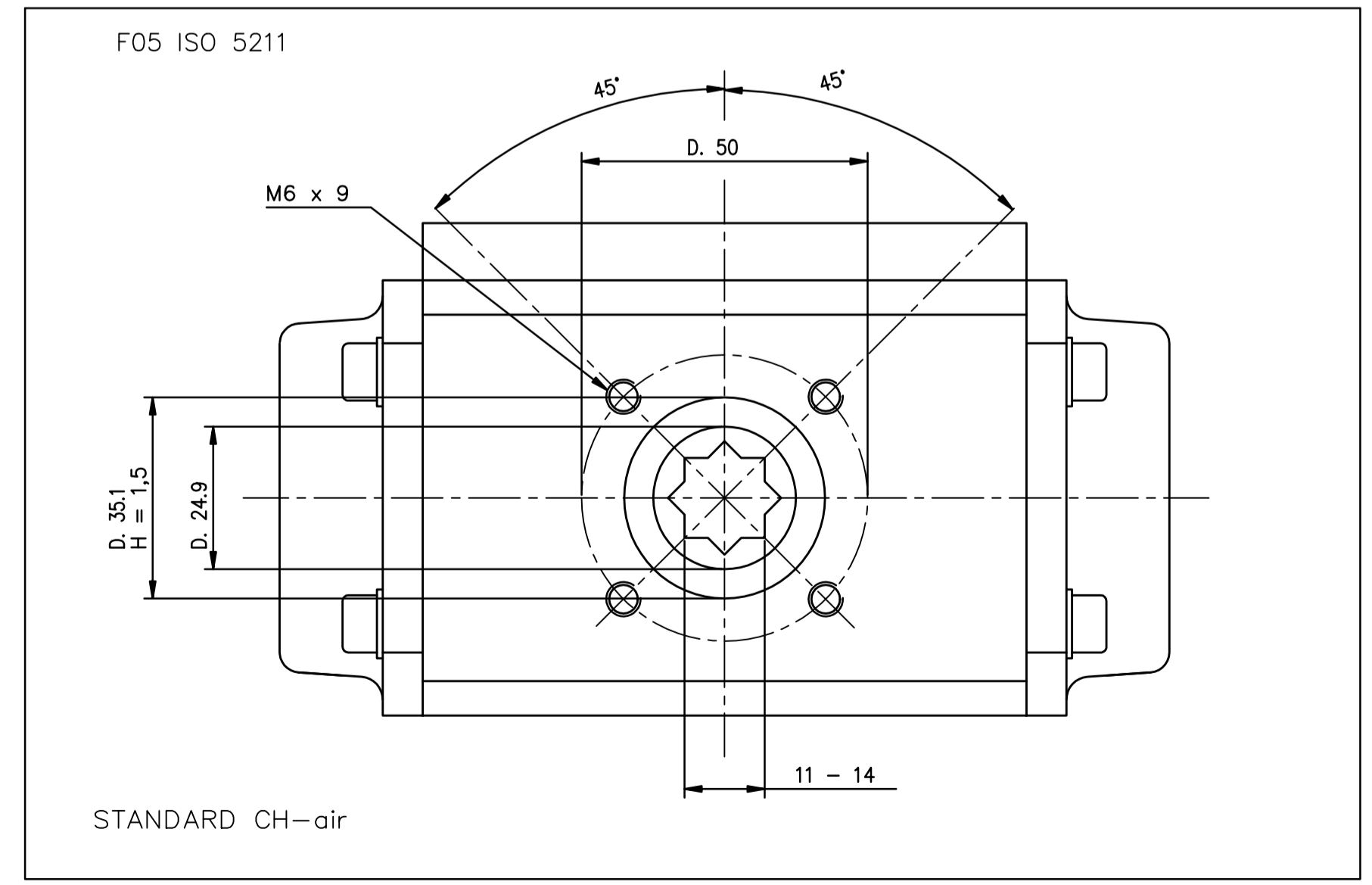
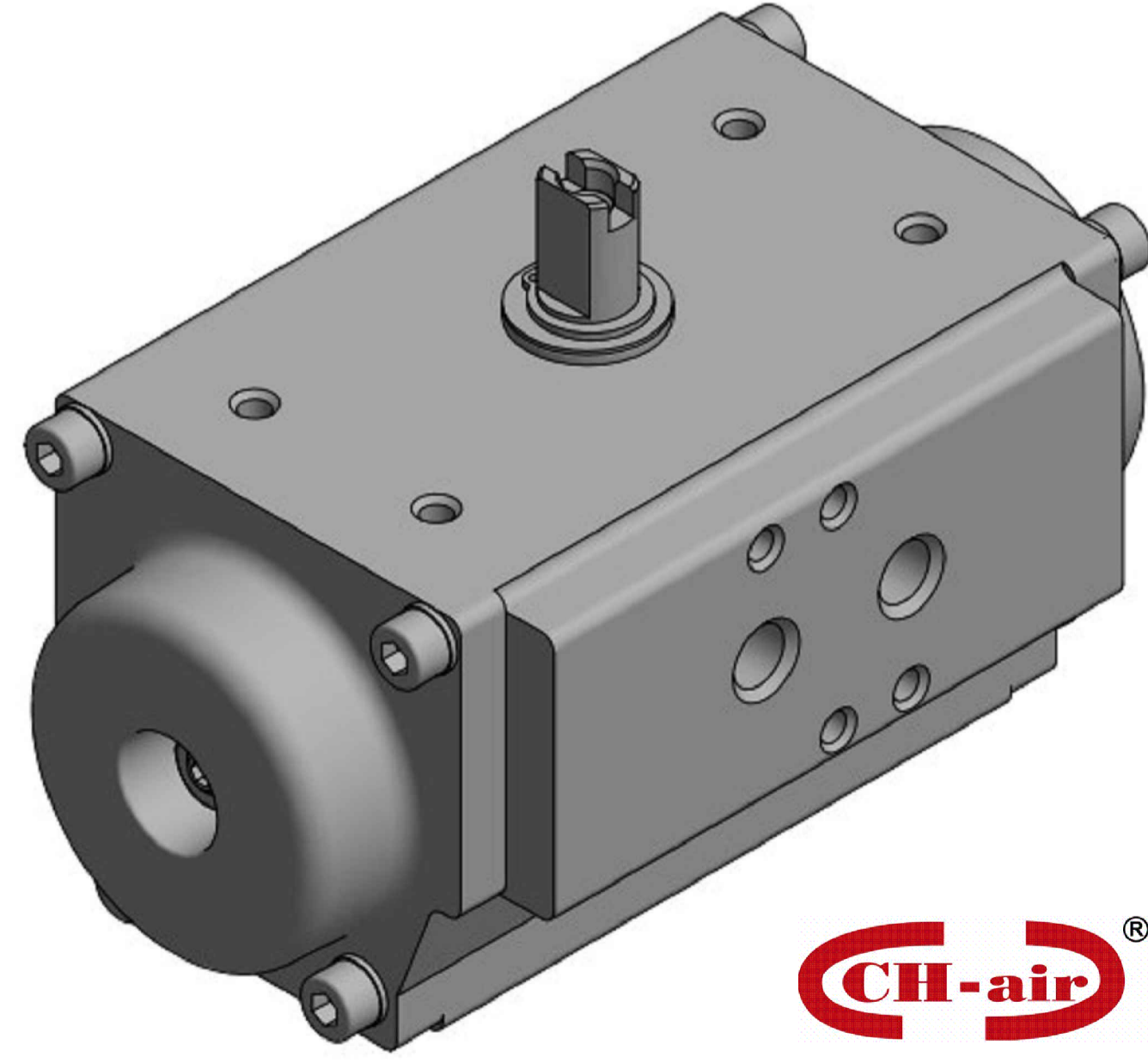
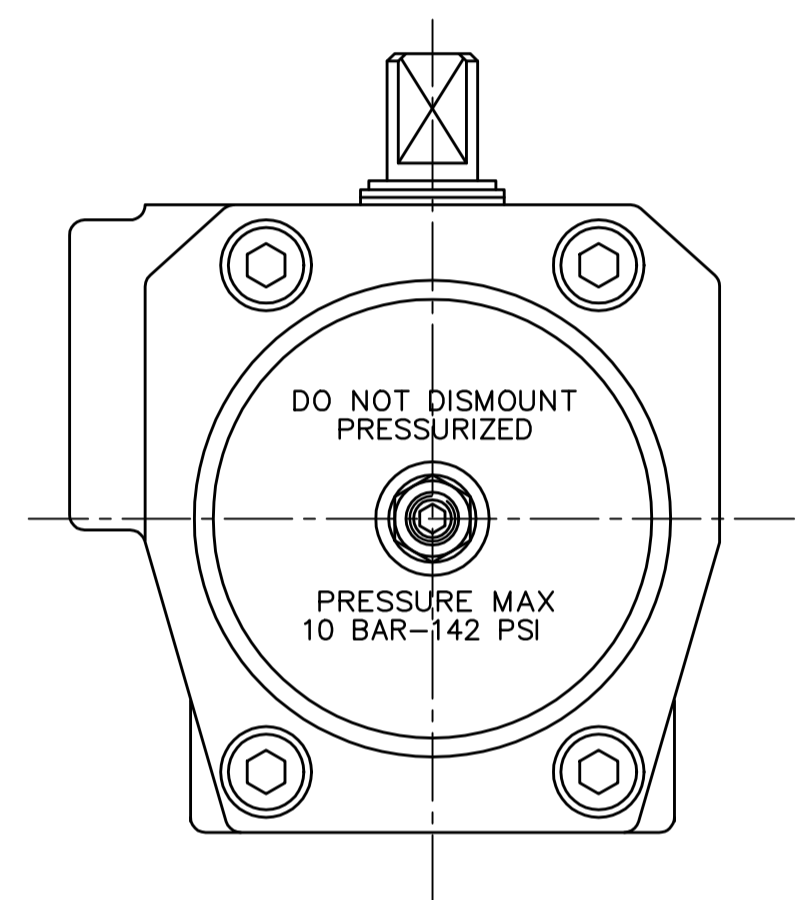
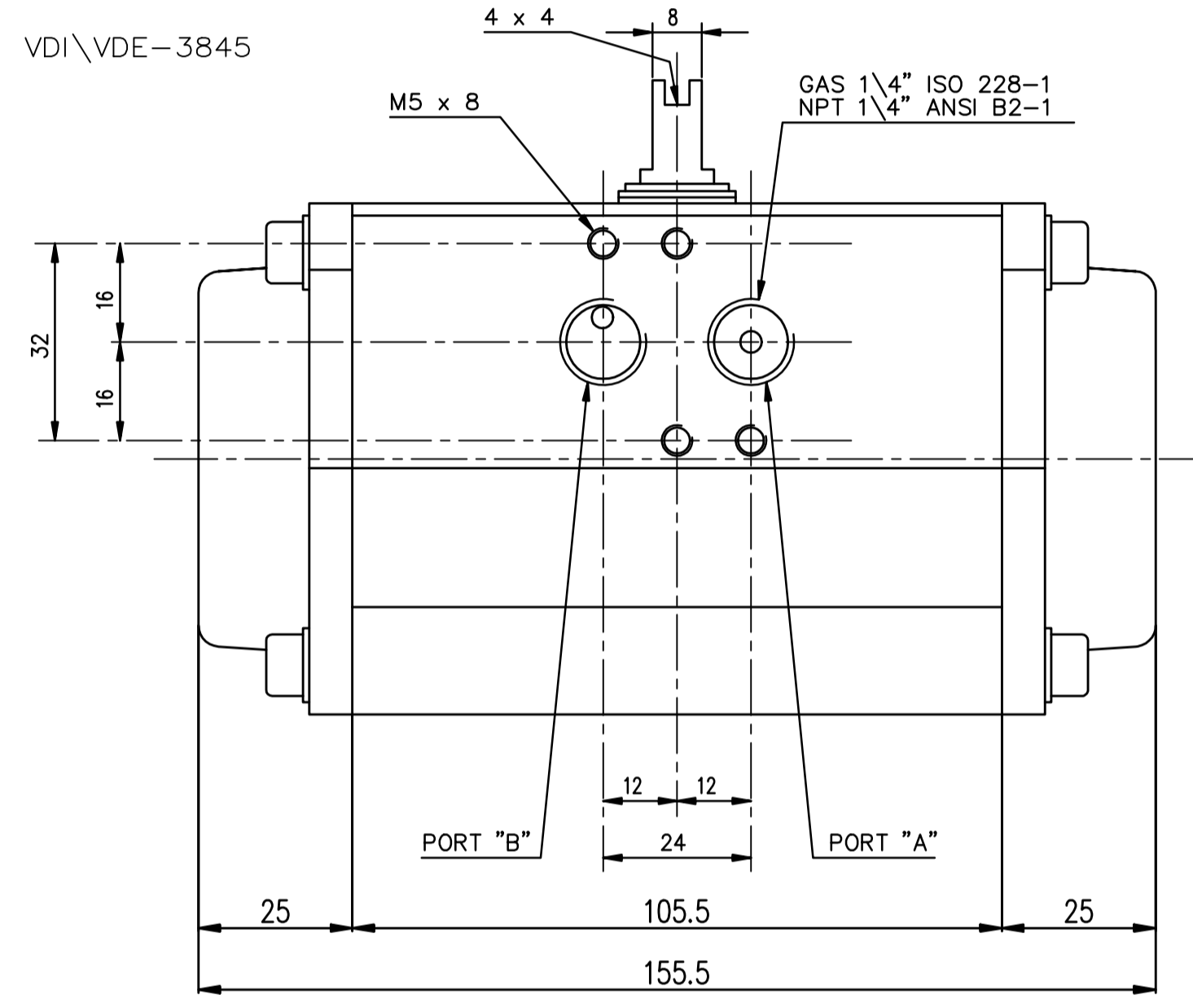
DO NOT SCALE PRINT!

DRAWING TO BS 8888

VDI\VDE-3845



VDI\VDE-3845



STANDARD CH-air

<small>THIS DRAWING IS CONFIDENTIAL AND IS NOT TO BE REPRODUCED WITHOUT THE WRITTEN CONSENT OF Actuated Valve Supplies Limited</small>						
<b>TITLE</b> CH-air MODEL A-063 PNEUMATIC ACTUATOR - ALUMINIUM						
<b>STOCK CODE</b> CH-AIR-A-063-CAD				<b>DIM ARE</b> mm		
				<b>SCALE</b> 1:1		
<b>CH-AIR-A-063-DWG1-CAD</b>						
<b>DRAWING NUMBER</b>				<b>SHEET 1 OF 2</b>		

JRM	HMM	SBW	NEW		30.08.17
APPROVED BY	CHECKED BY	DRAWN BY	ISSUE	CHANGE NO.	DATE