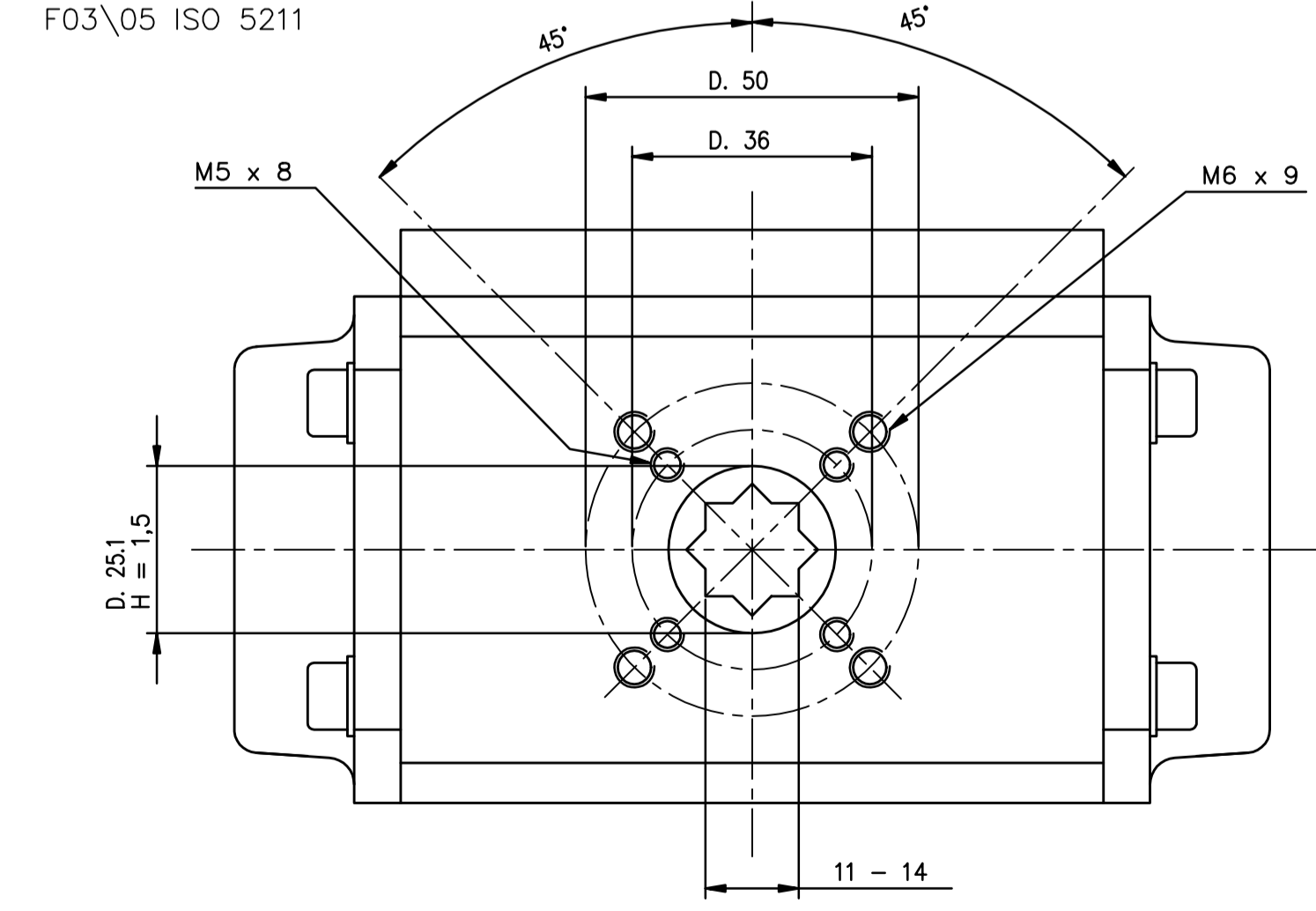
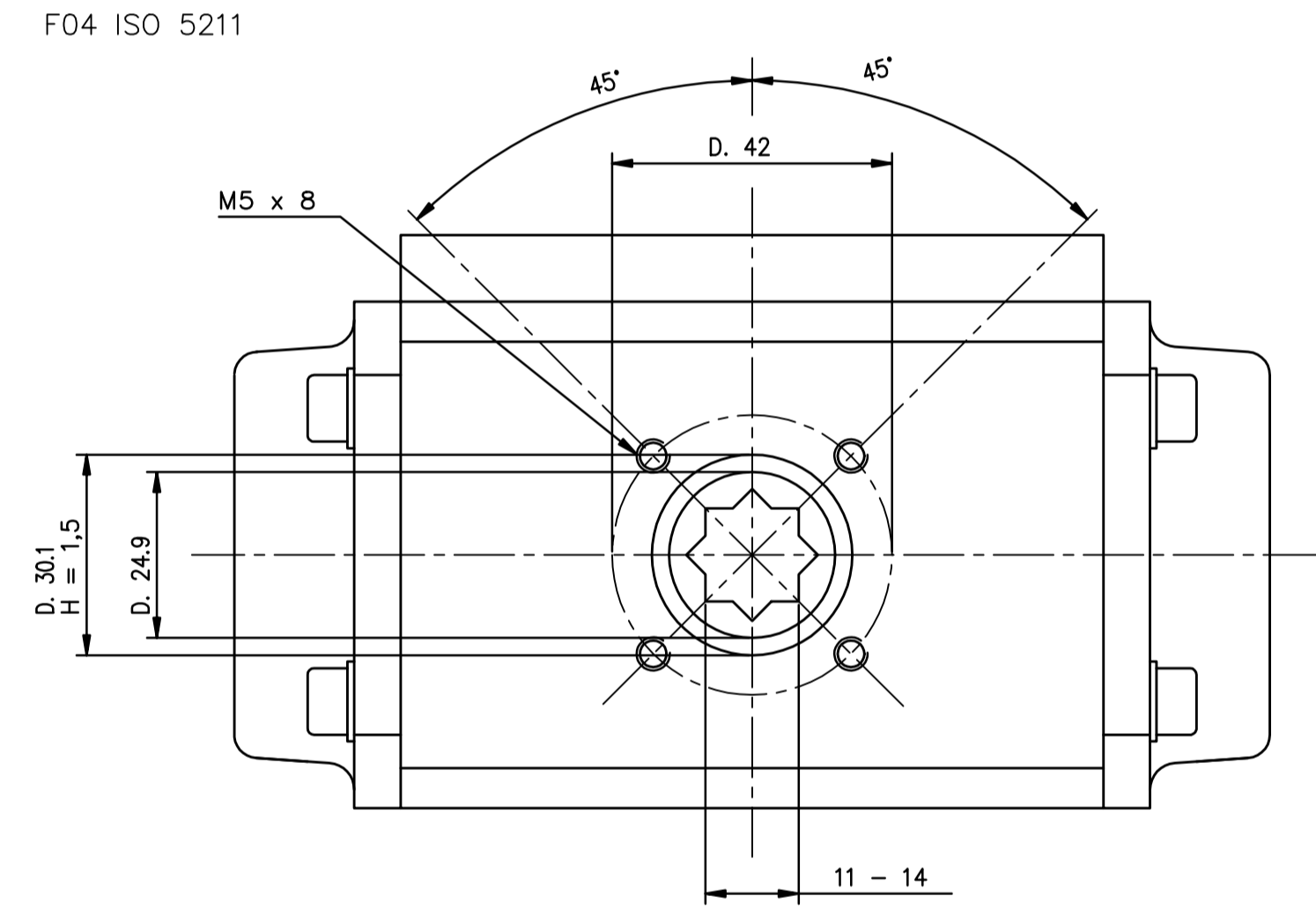
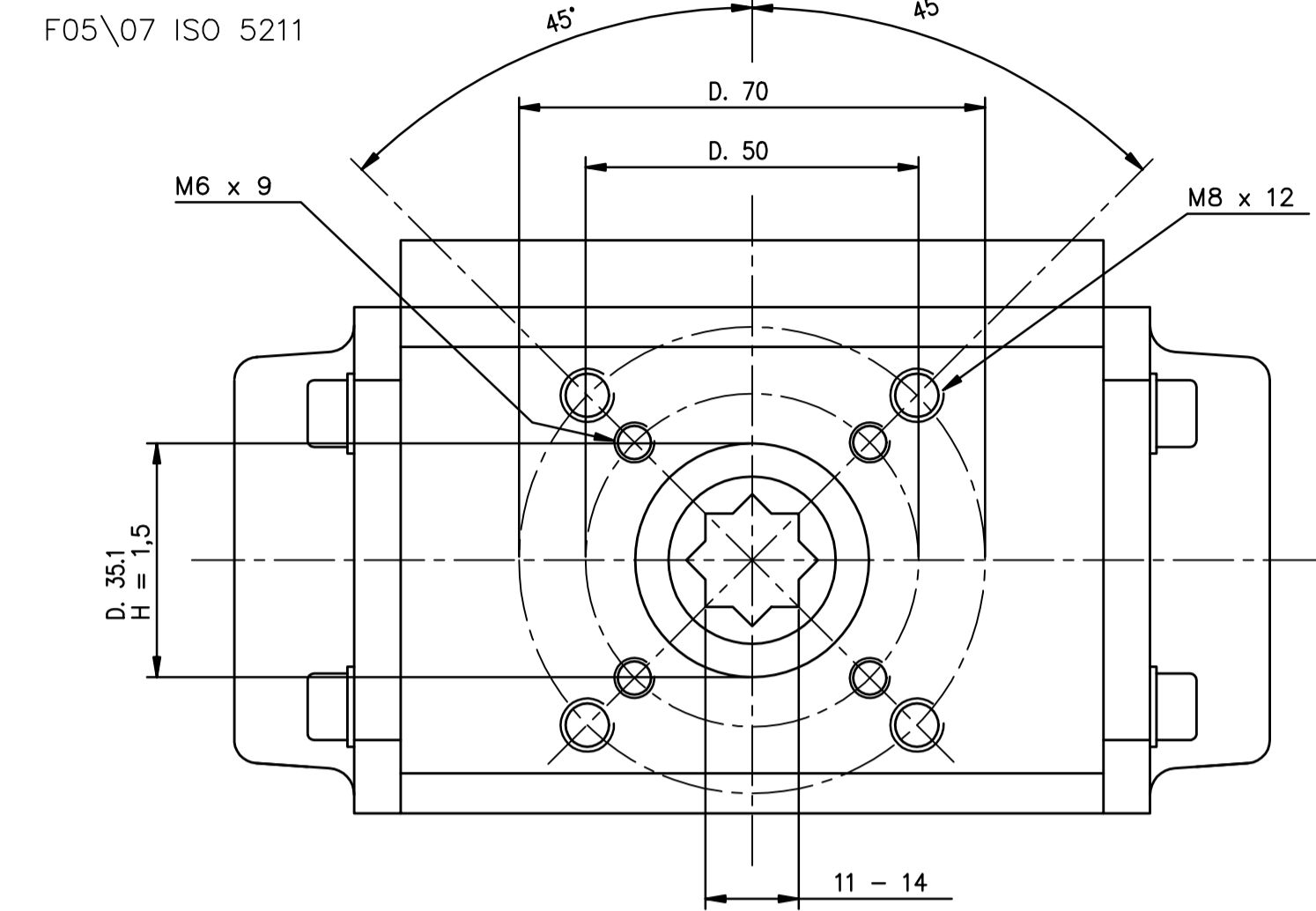


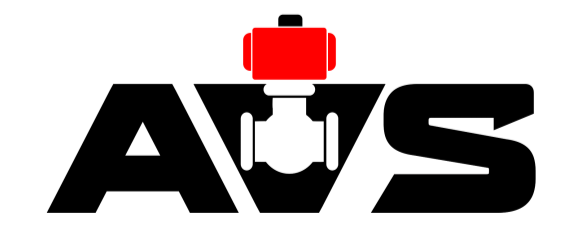
IF IN DOUBT ASK!

DO NOT SCALE PRINT!

DRAWING TO BS 8888



ISO5211 - DIN3337 MOUNTING OPTIONS



THIS DRAWING IS CONFIDENTIAL AND IS NOT TO BE REPRODUCED WITHOUT THE WRITTEN CONSENT OF Actuated Valve Supplies Limited

TITLE CH-air MODEL A-063 PNEUMATIC ACTUATOR - ALUMINIUM

STOCK CODE CH-AIR-A-063-CAD DIM ARE mm

SCALE 1:1

CH-AIR-A-063-DWG2-CAD

DRAWING NUMBER SHEET 2 OF 2

JRM	HMM	SBW	NEW		30.08.17
APPROVED BY	CHECKED BY	DRAWN BY	ISSUE	CHANGE NO.	DATE

8
7
6
5
4
3
2
1
A1