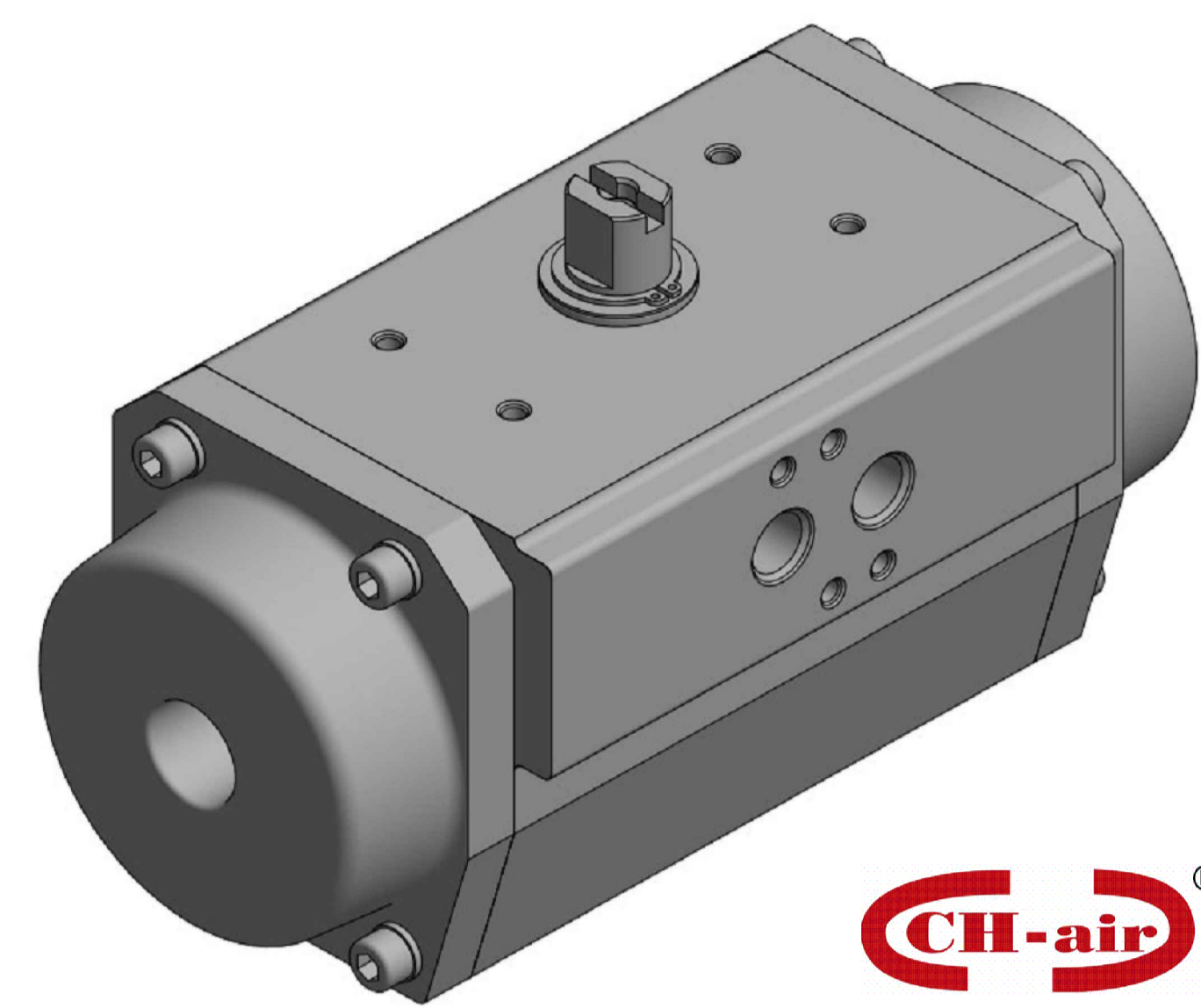
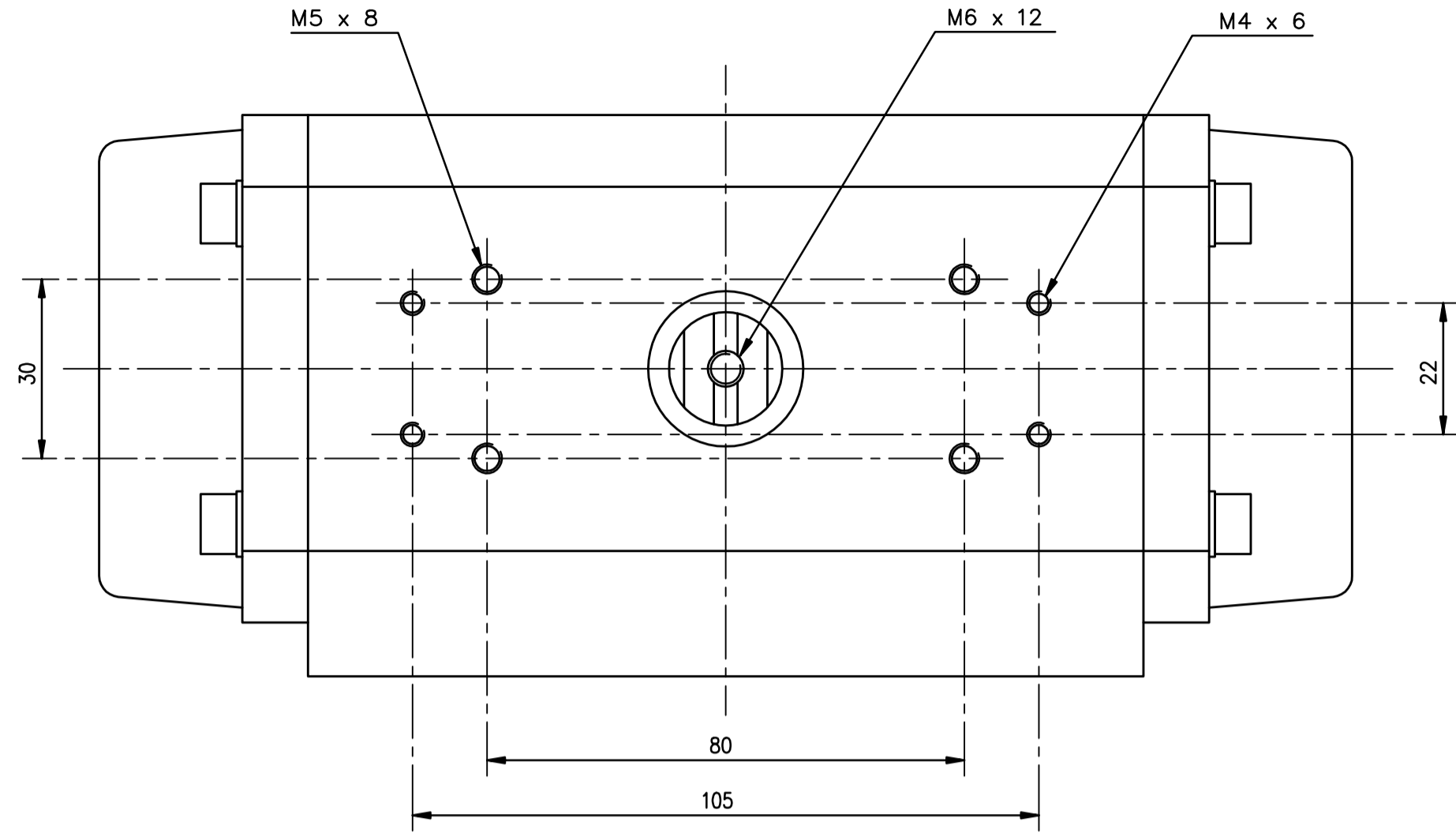


IF IN DOUBT ASK!

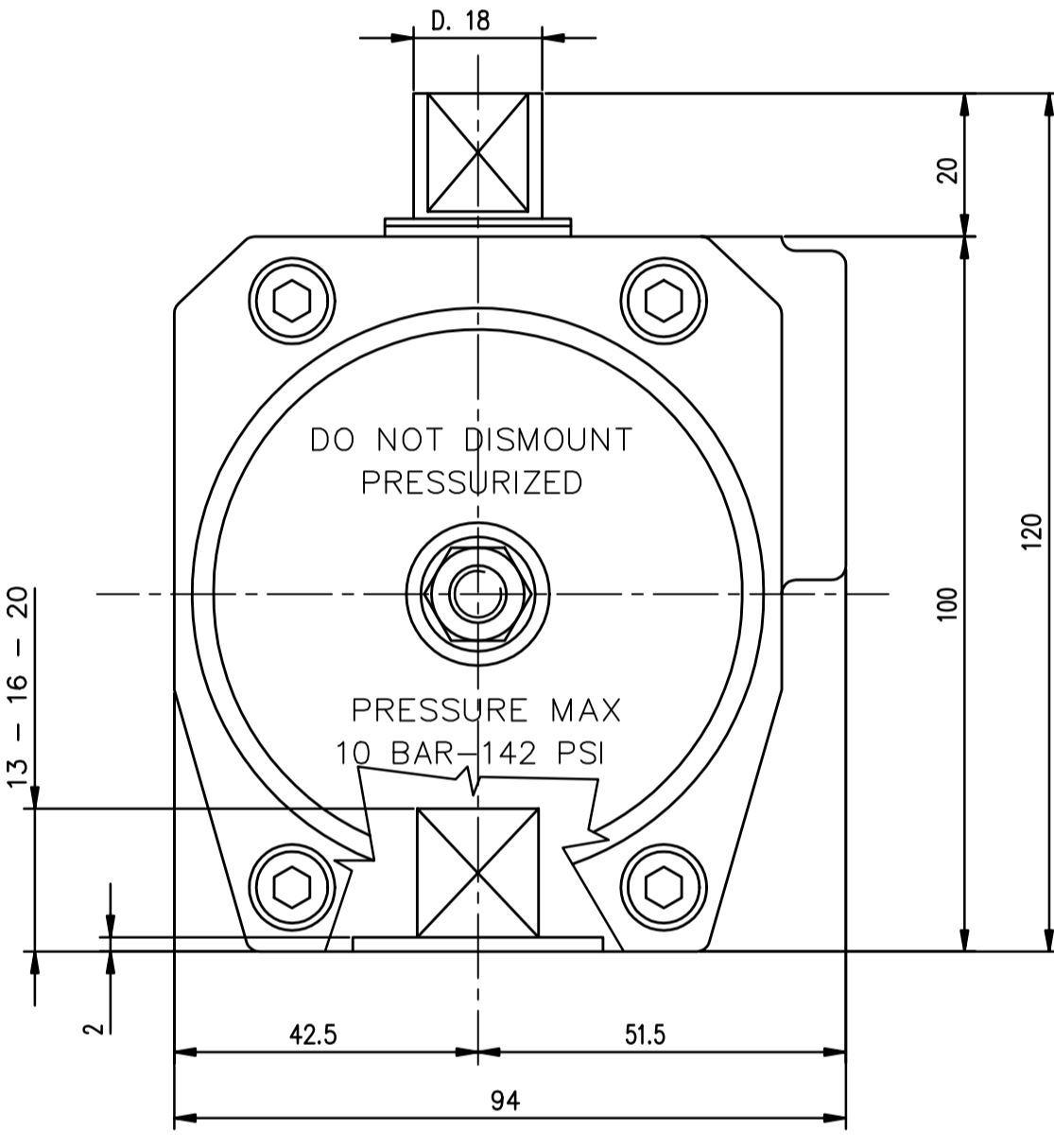
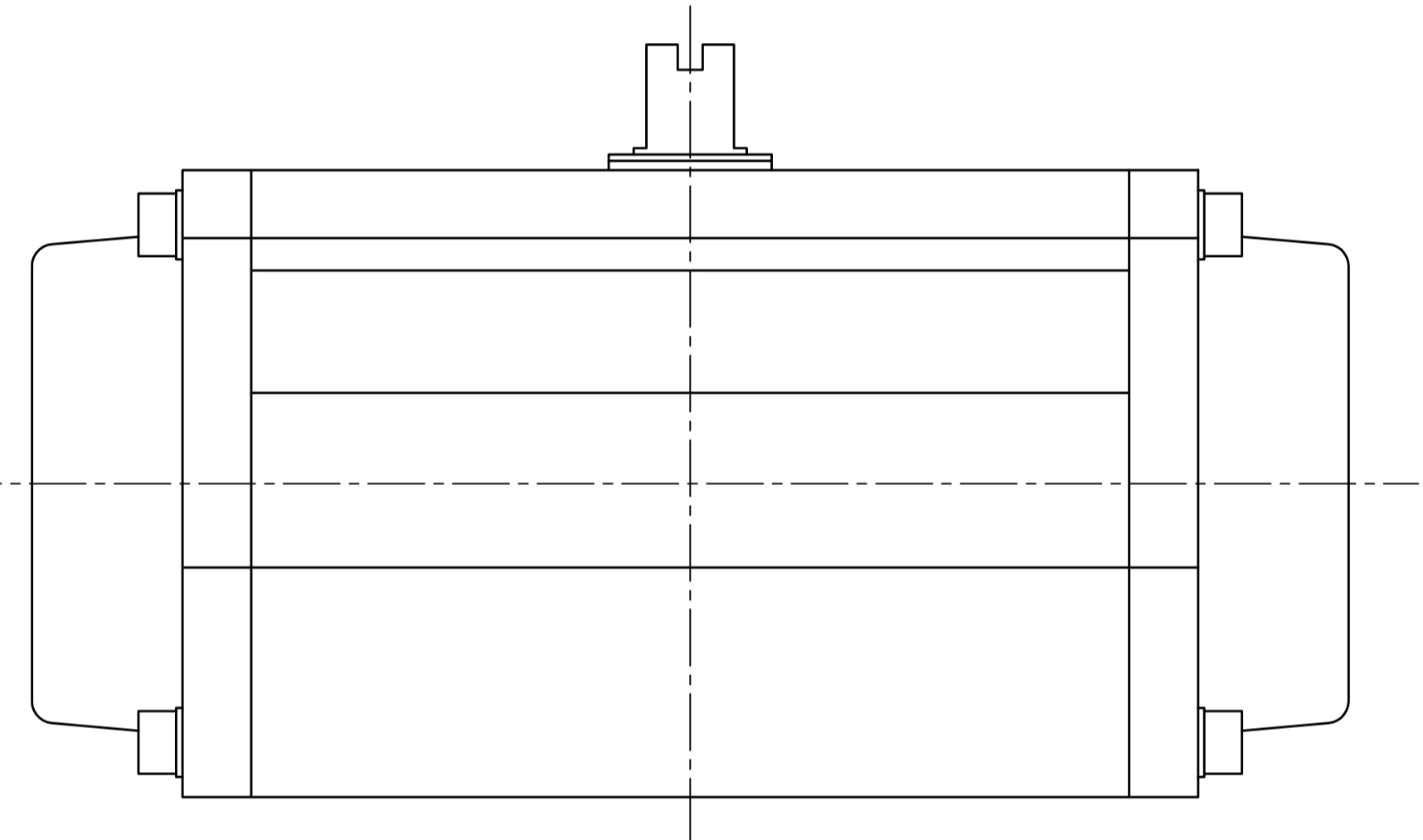
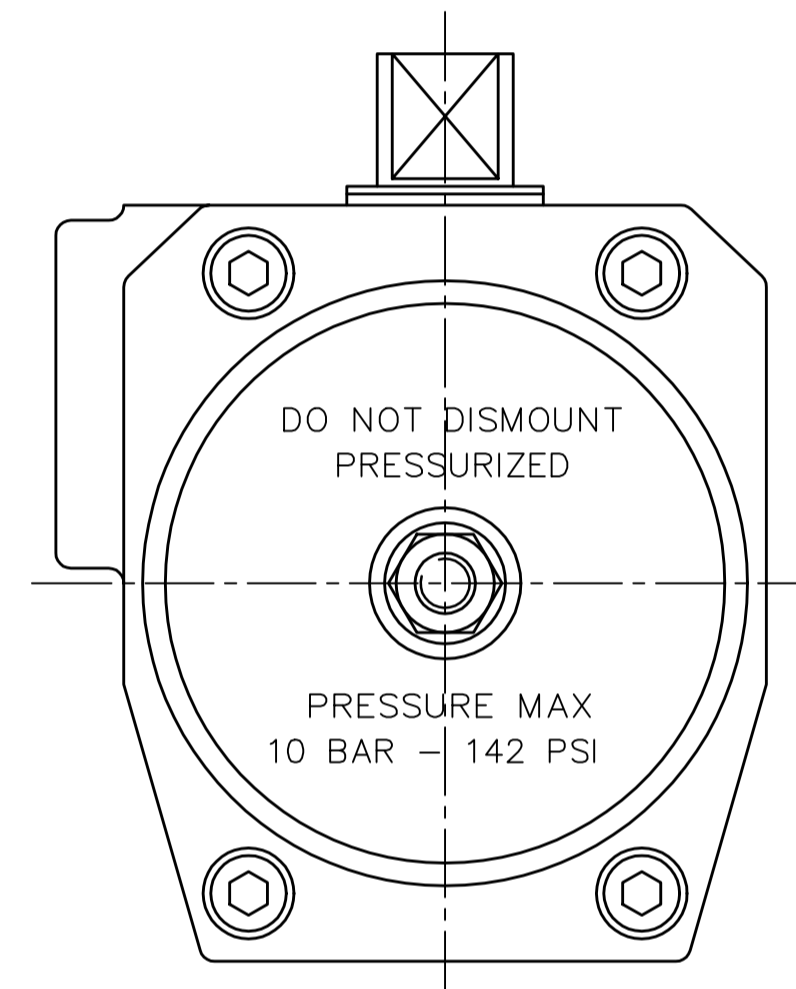
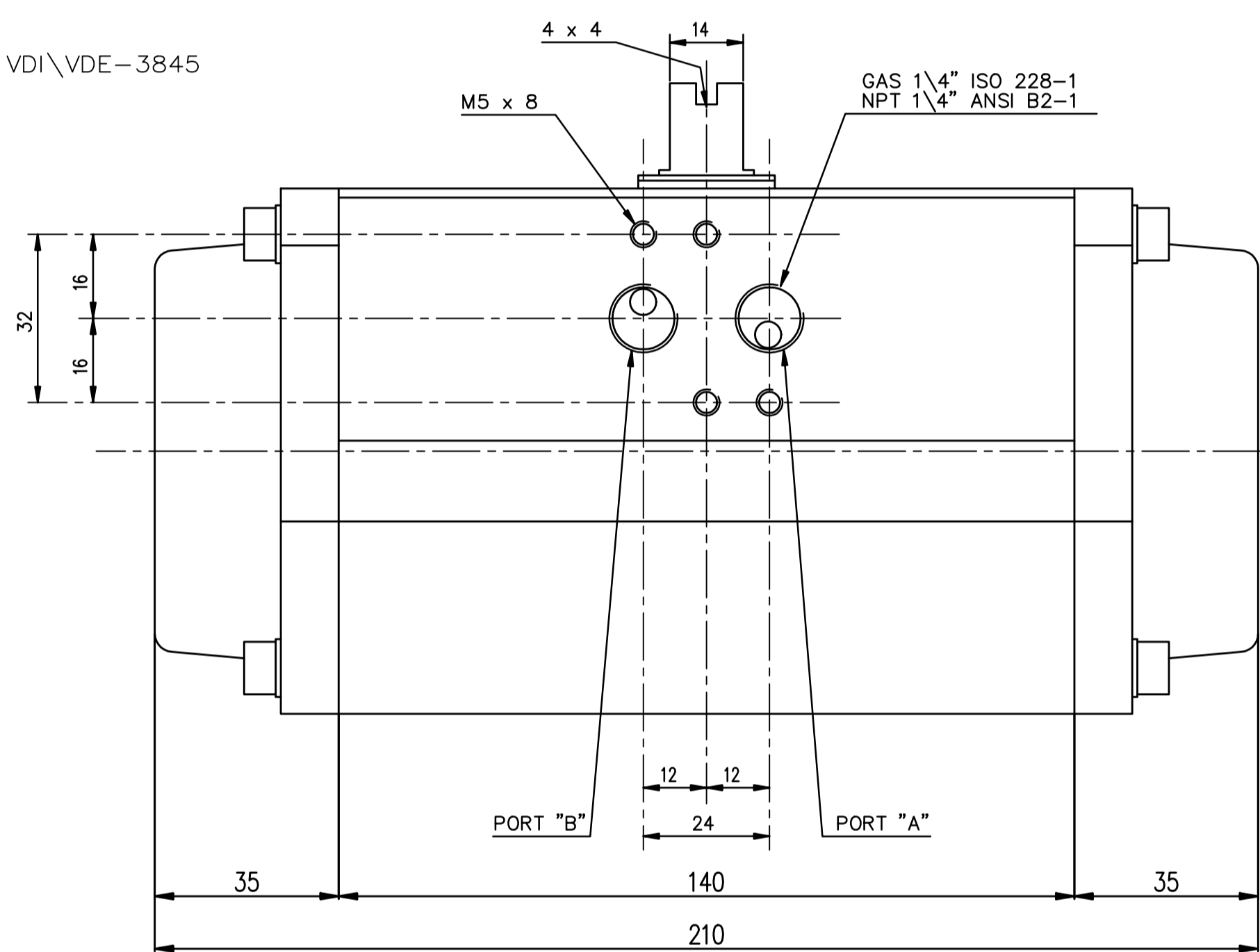
DO NOT SCALE PRINT!

DRAWING TO BS 8888

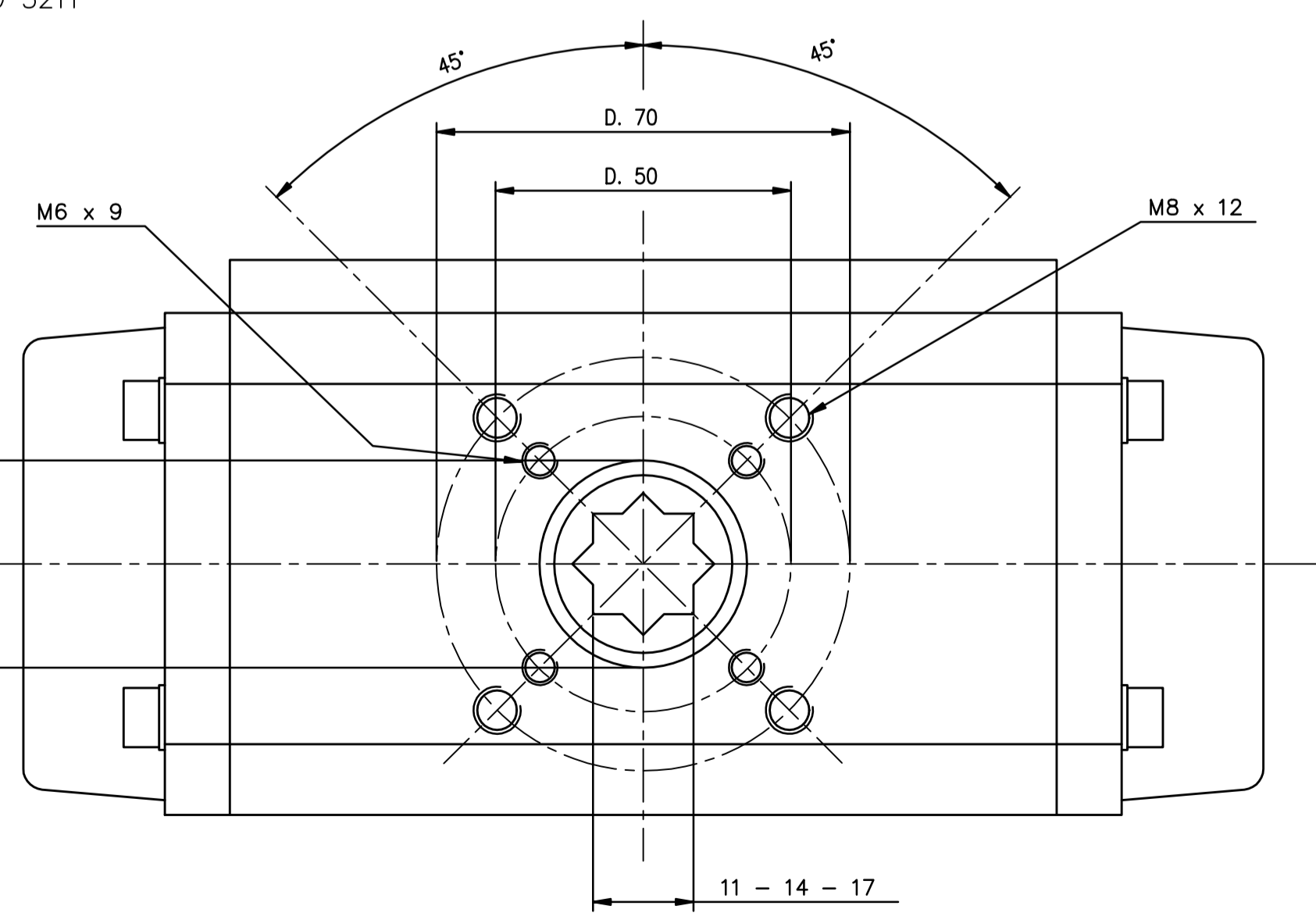
VDI\VDE-3845



VDI\VDE-3845

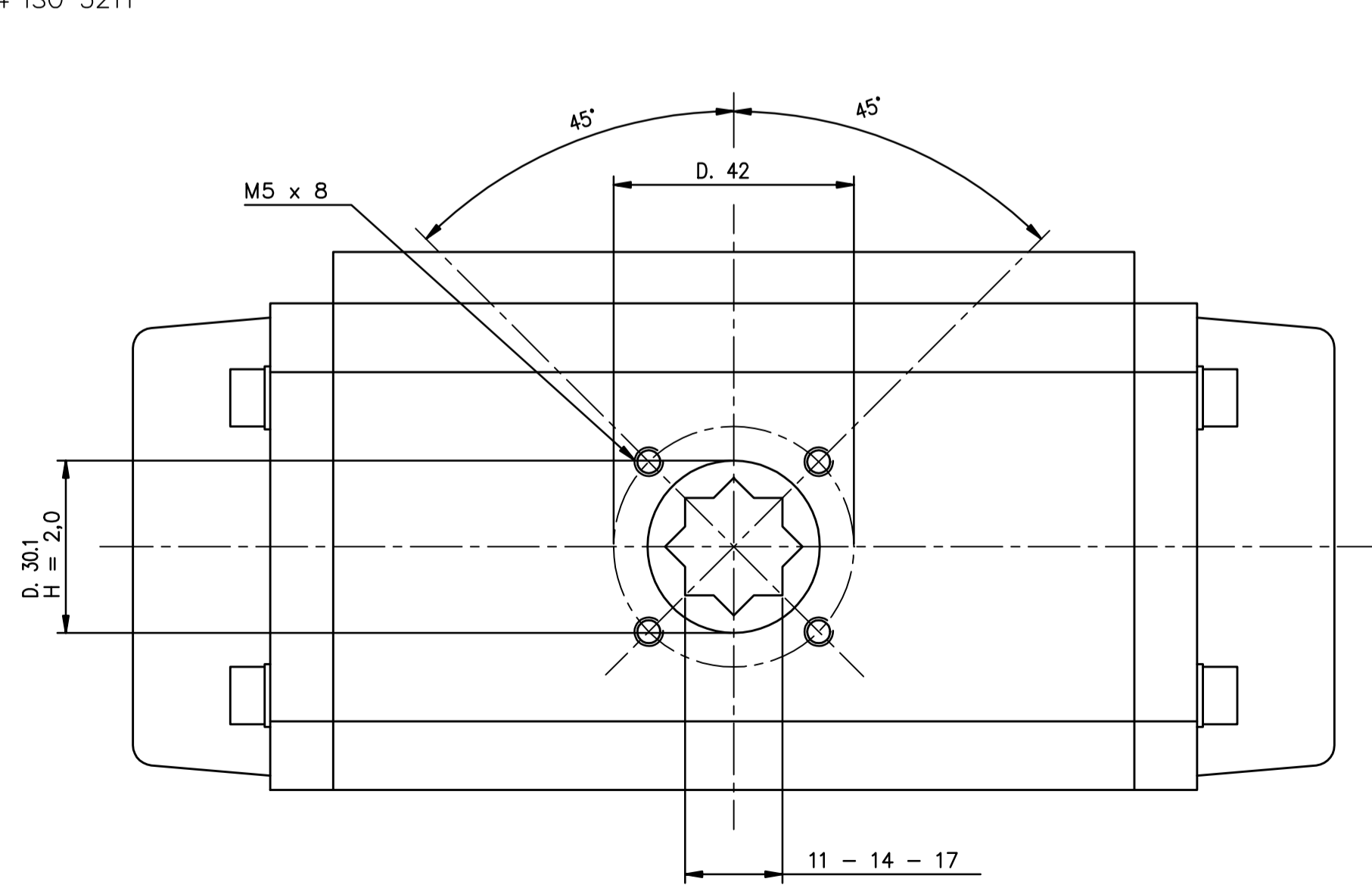


F05\07 ISO 5211



STANDARD CH-air

F04 ISO 5211



THIS DRAWING IS CONFIDENTIAL AND IS NOT TO BE REPRODUCED WITHOUT THE WRITTEN CONSENT OF Actuated Valve Supplies Limited						
TITLE CH-air MODEL A-075 PNEUMATIC ACTUATOR - ALUMINIUM						
STOCK CODE CH-AIR-A-075-CAD				DIM ARE mm		
				SCALE 1:1		
CH-AIR-A-075-CAD						
DRAWING NUMBER				SHEET 1 OF 1		

JRM	HMM	SBW	NEW		30.08.17
APPROVED BY	CHECKED BY	DRAWN BY	ISSUE	CHANGE NO.	DATE