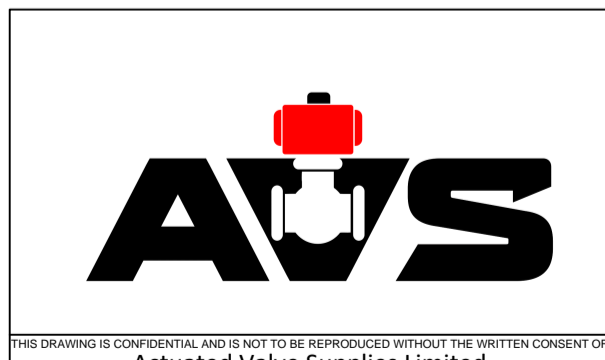
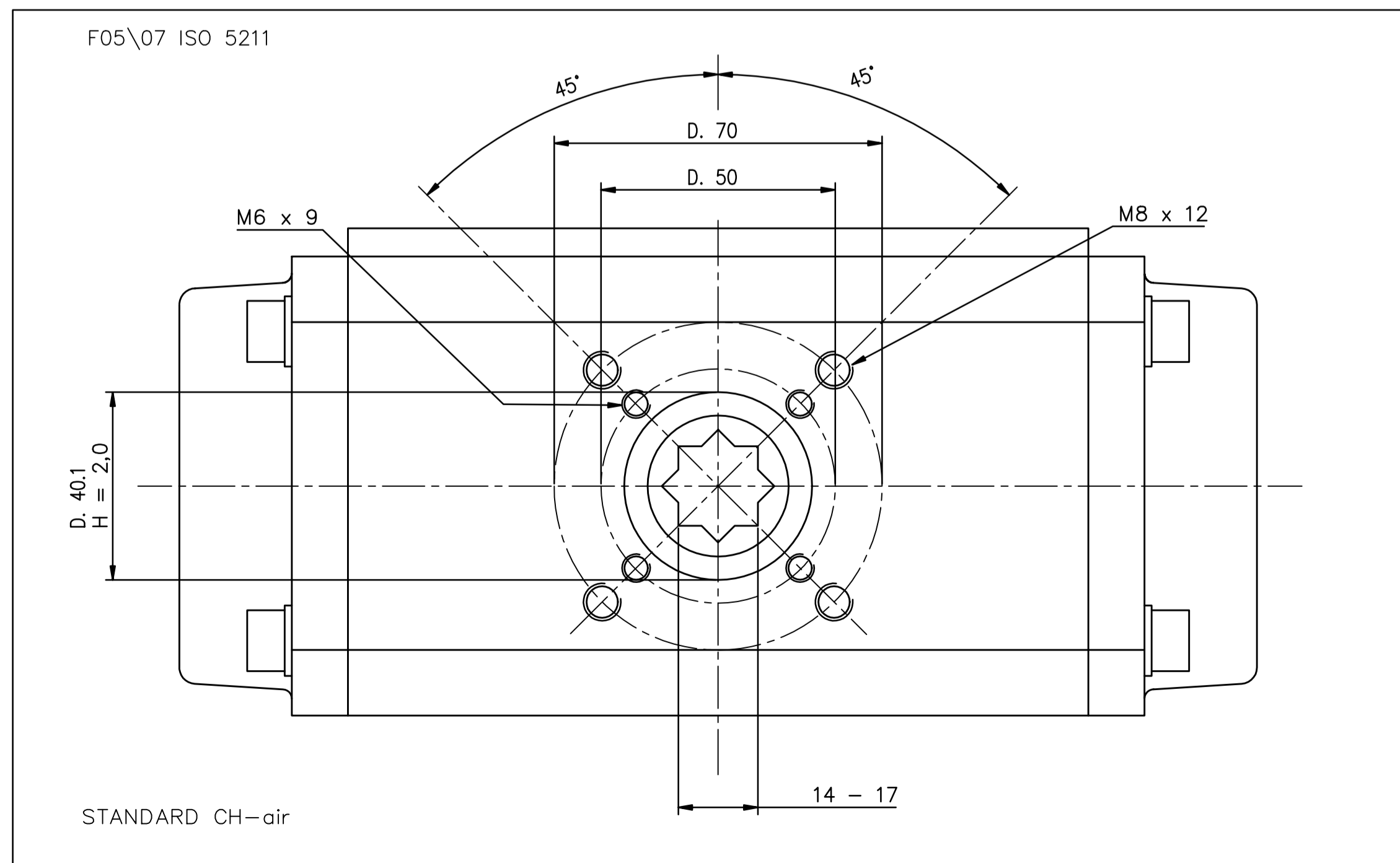
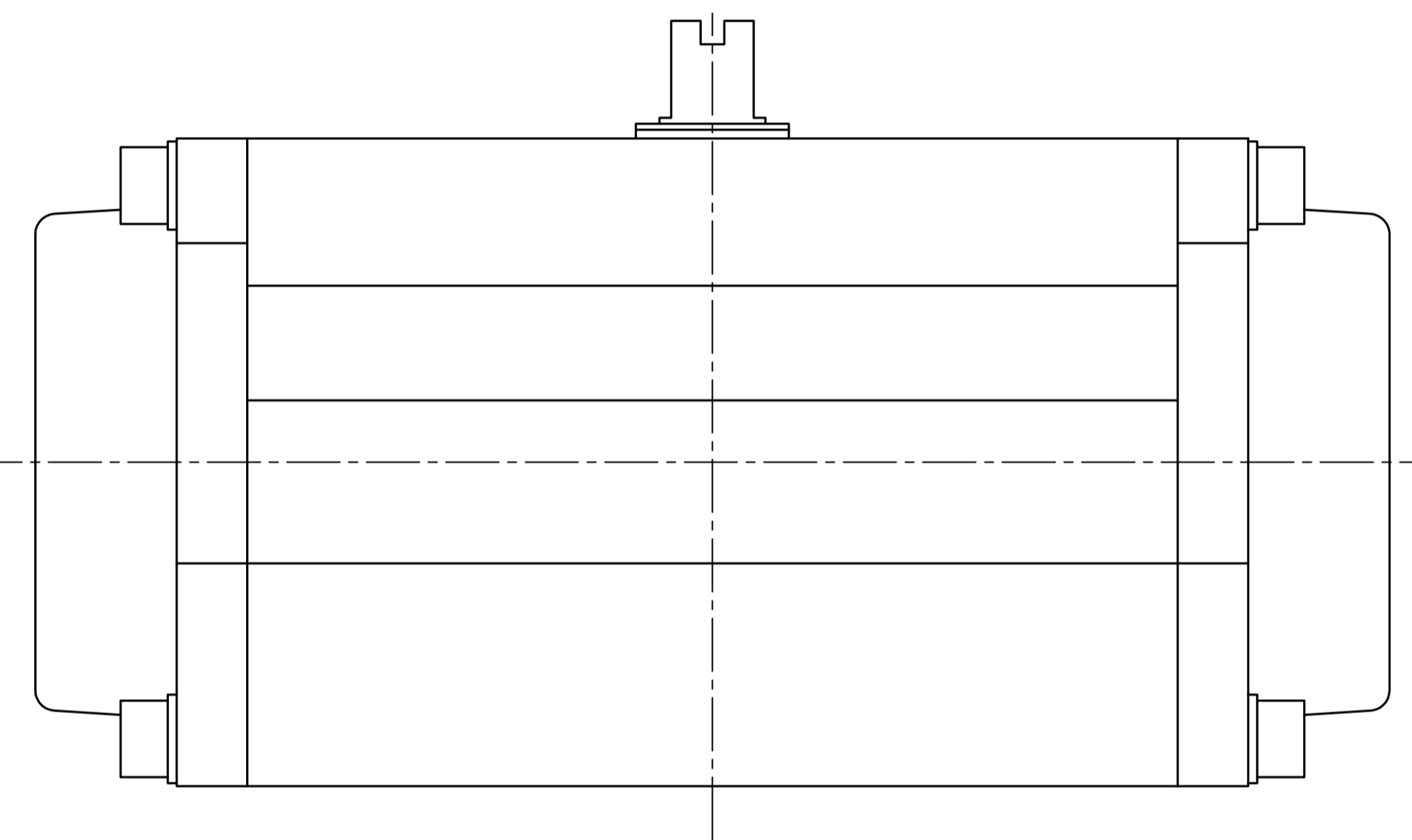
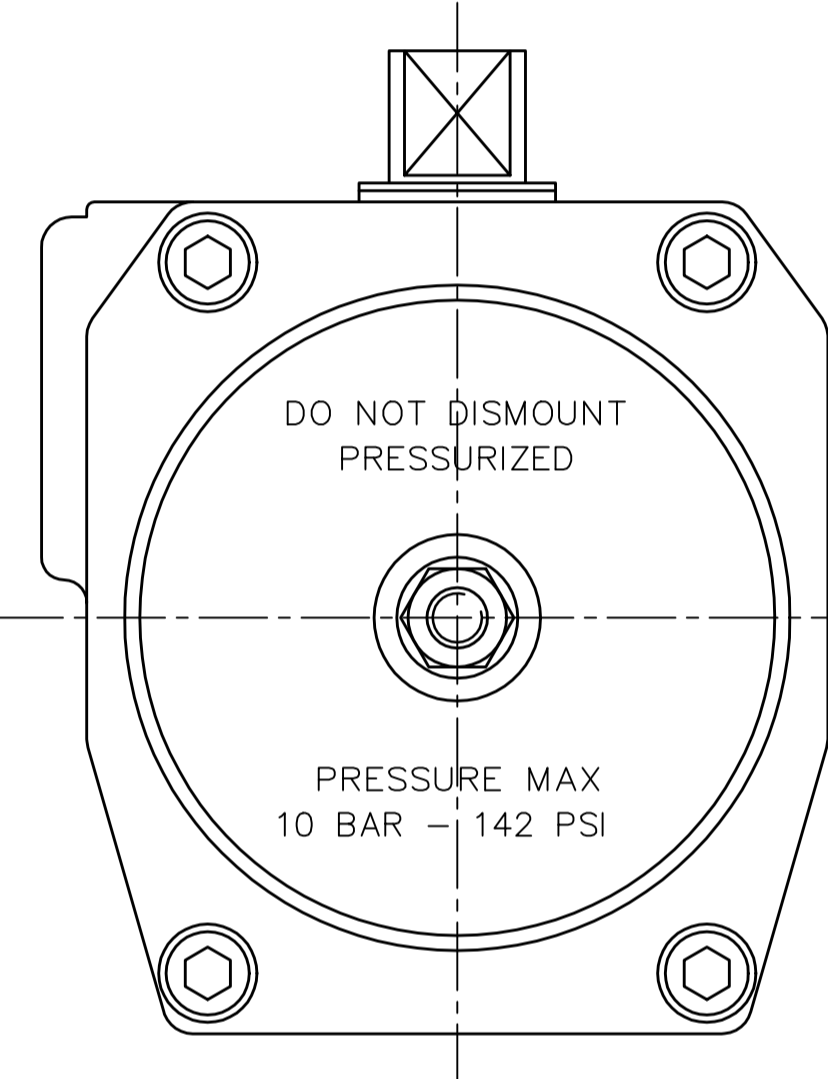
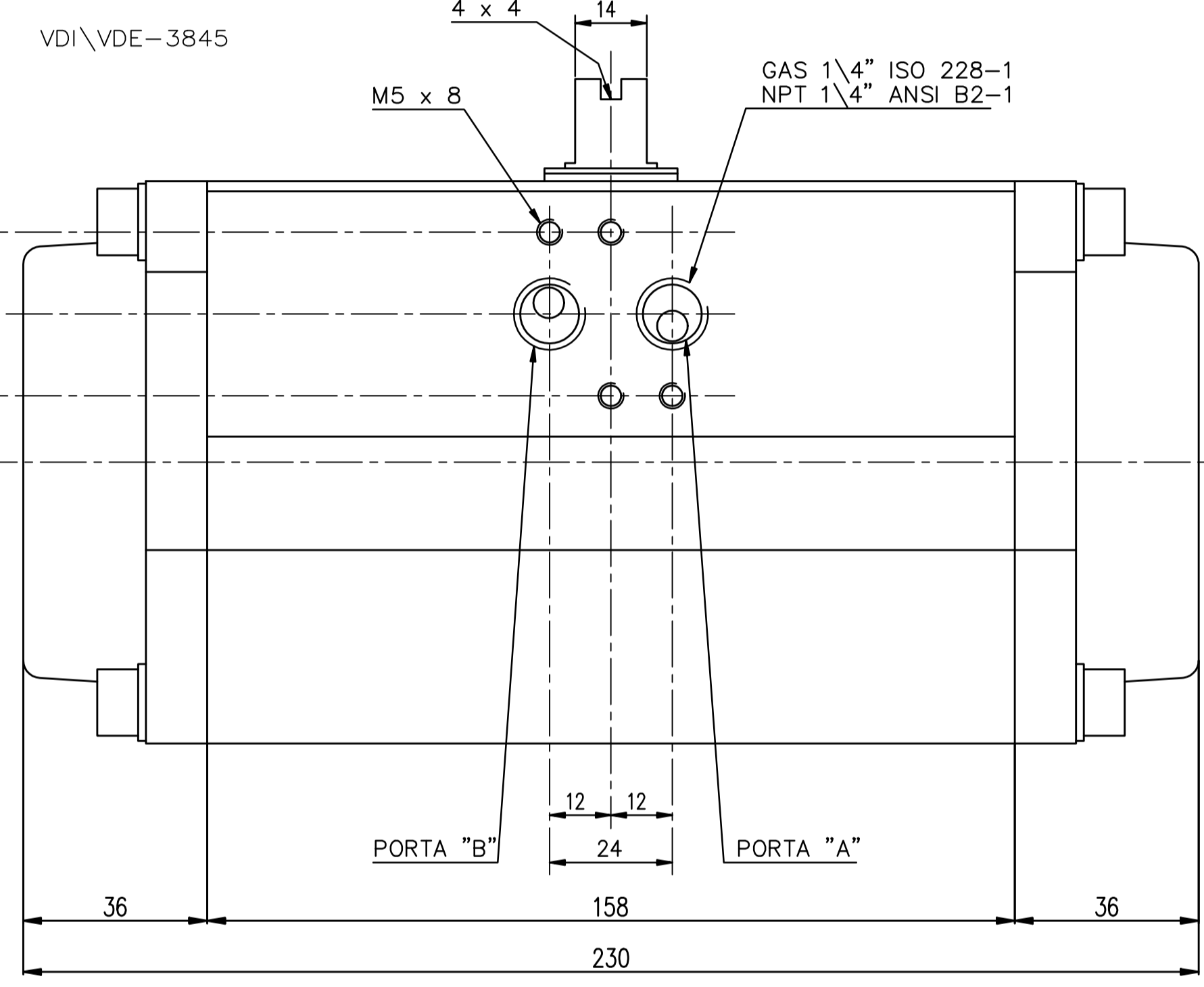
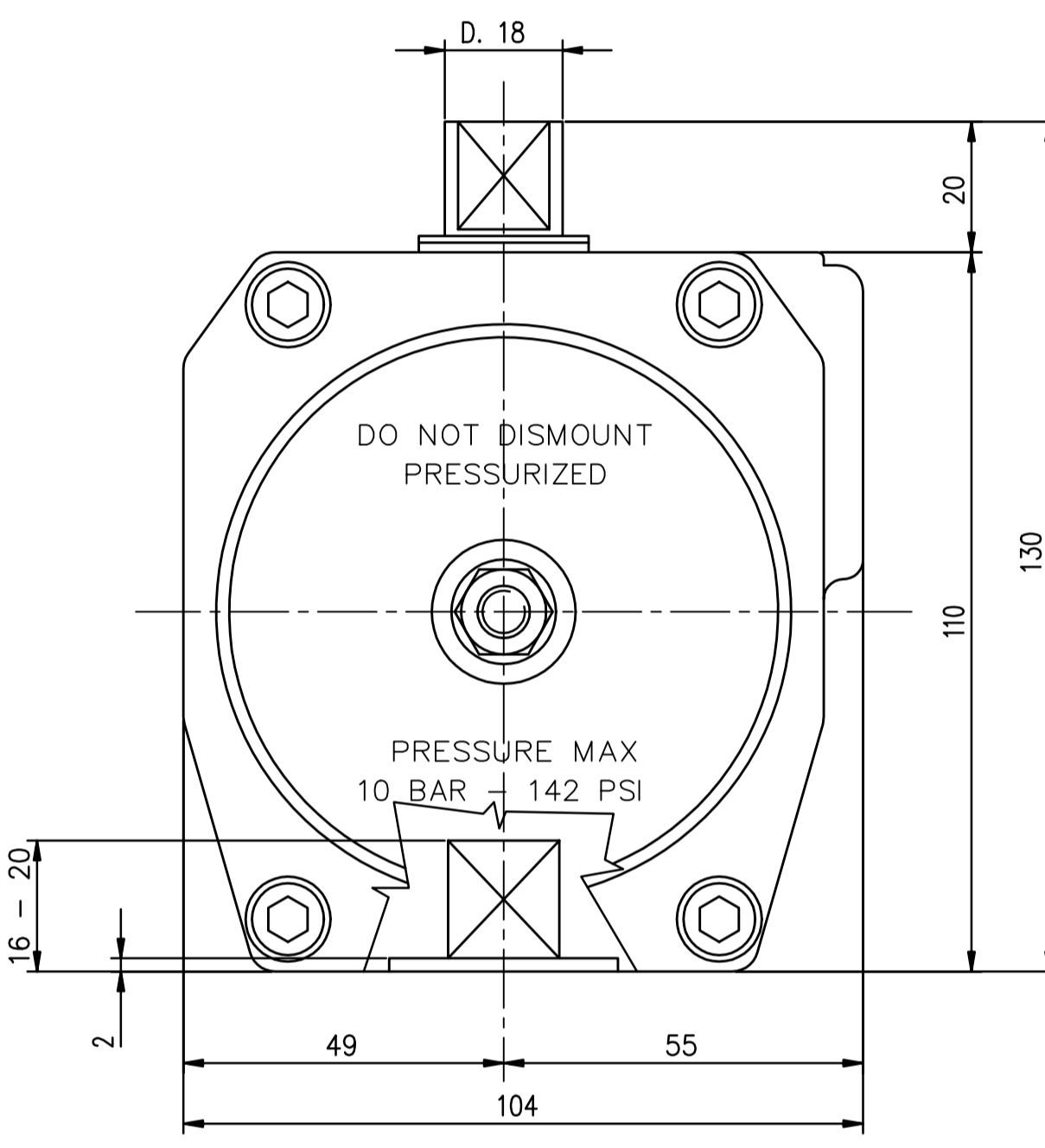
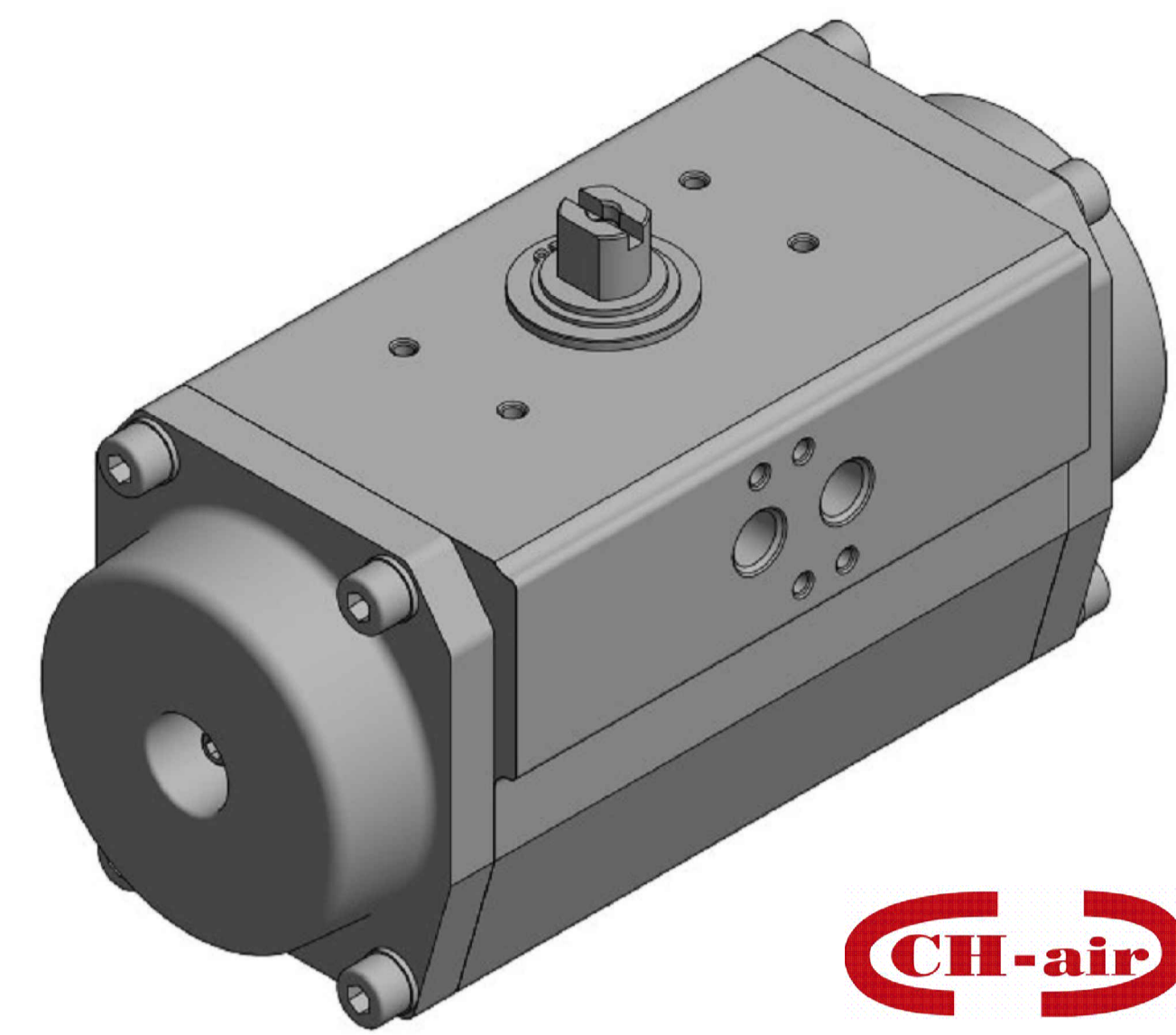
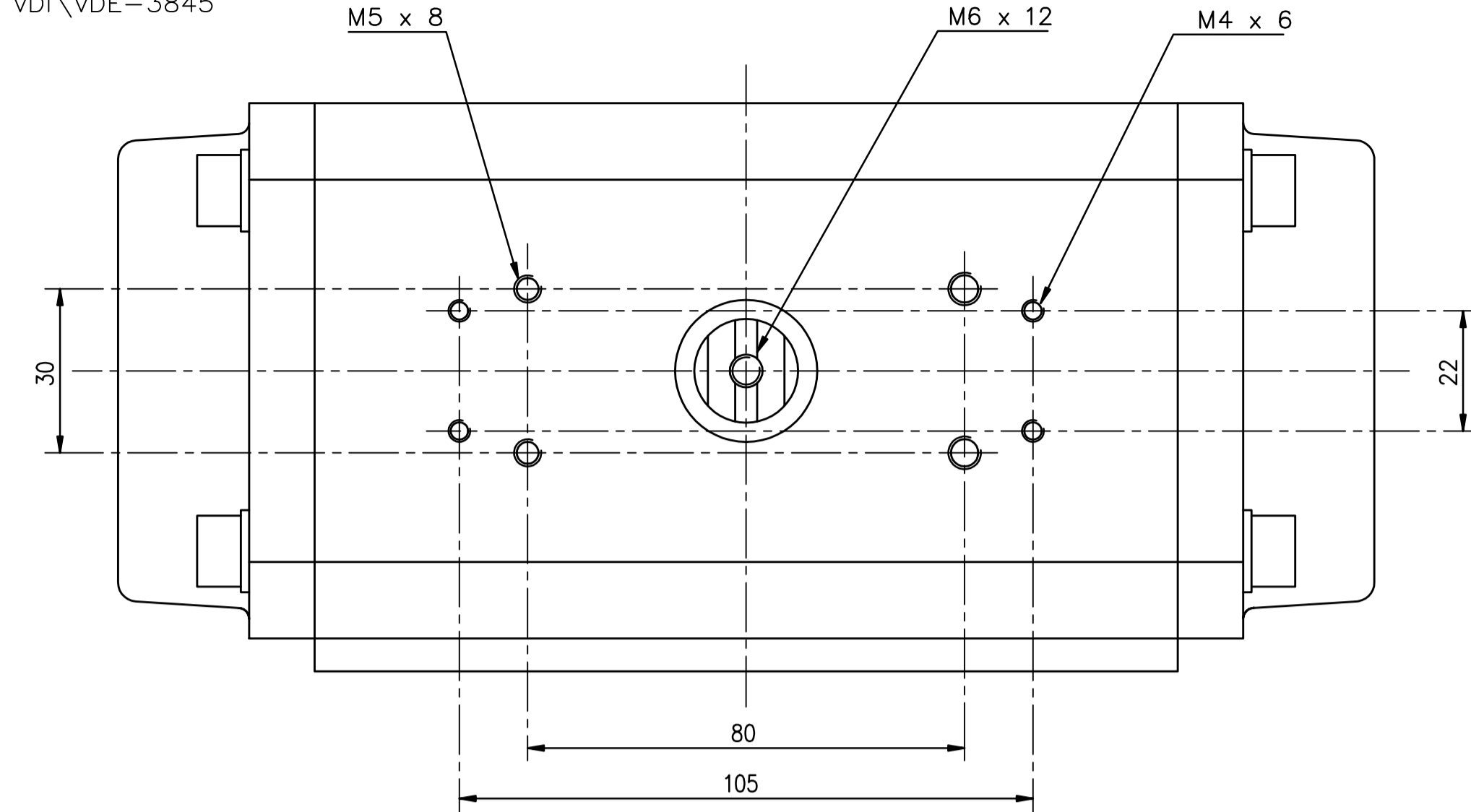


IF IN DOUBT ASK!
VDI\ \VDE-3845

DO NOT SCALE PRINT!

DRAWING TO BS 8888



THIS DRAWING IS CONFIDENTIAL AND IS NOT TO BE REPRODUCED WITHOUT THE WRITTEN CONSENT OF Actuated Valve Supplies Limited

TITLE CH-air MODEL A-085 PNEUMATIC ACTUATOR - ALUMINIUM

STOCK CODE CH-AIR-A-085-CAD	DIM ARE mm
SCALE 1:1	
CH-AIR-A-085-CAD	
DRAWING NUMBER	SHEET 1 OF 1

JRM	HMM	SBW	NEW		30.08.17
APPROVED BY	CHECKED BY	DRAWN BY	ISSUE	CHANGE NO.	DATE