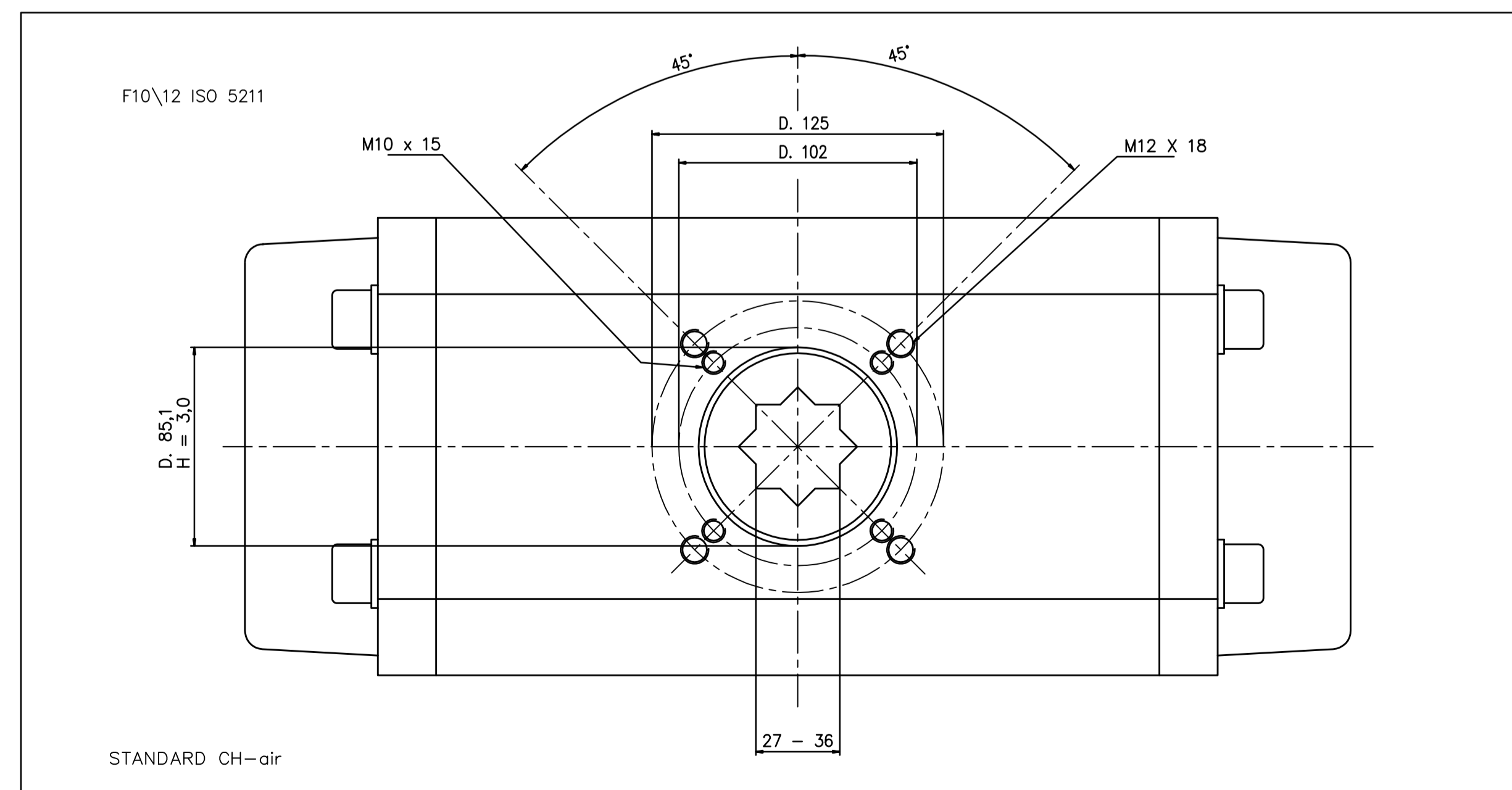
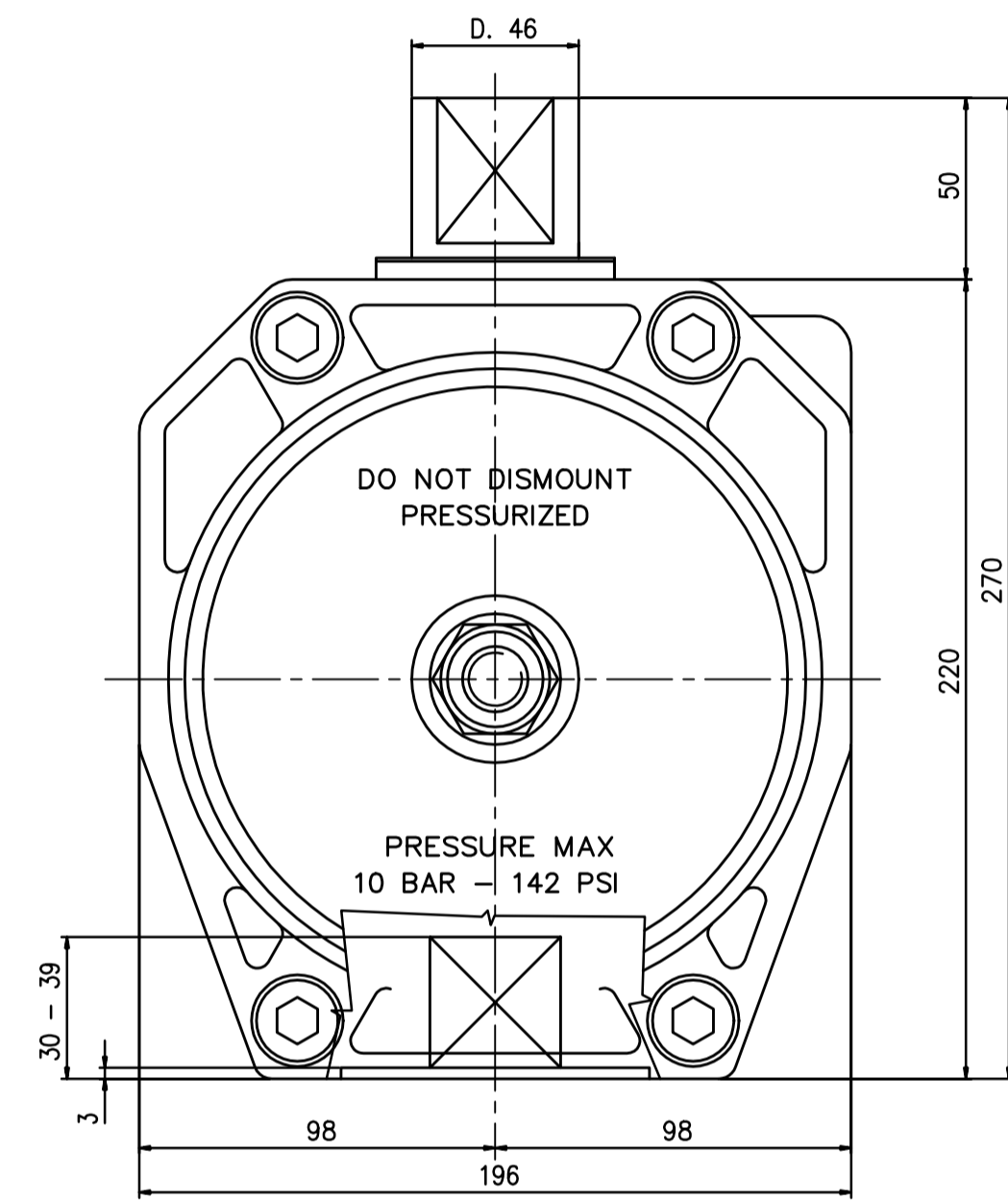
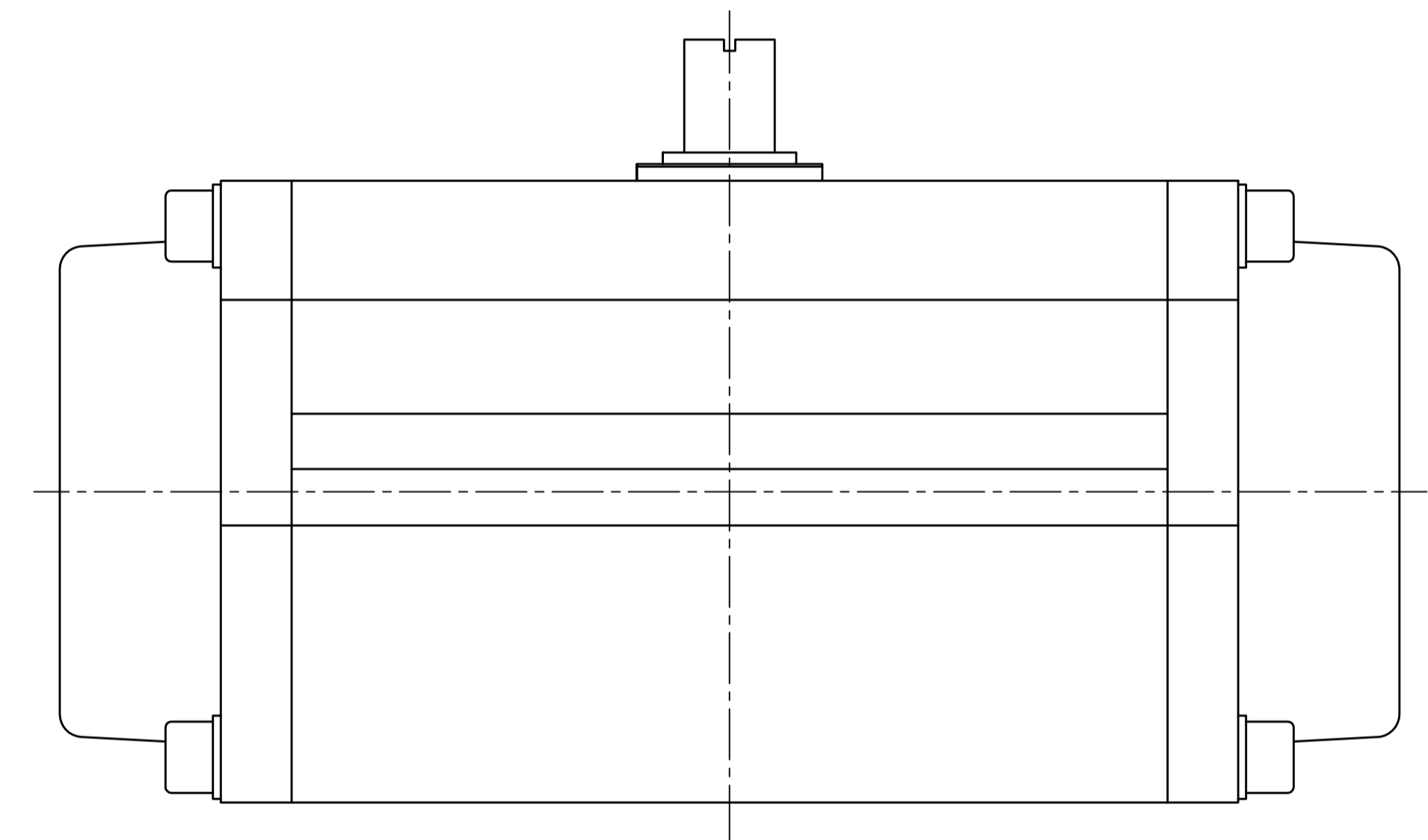
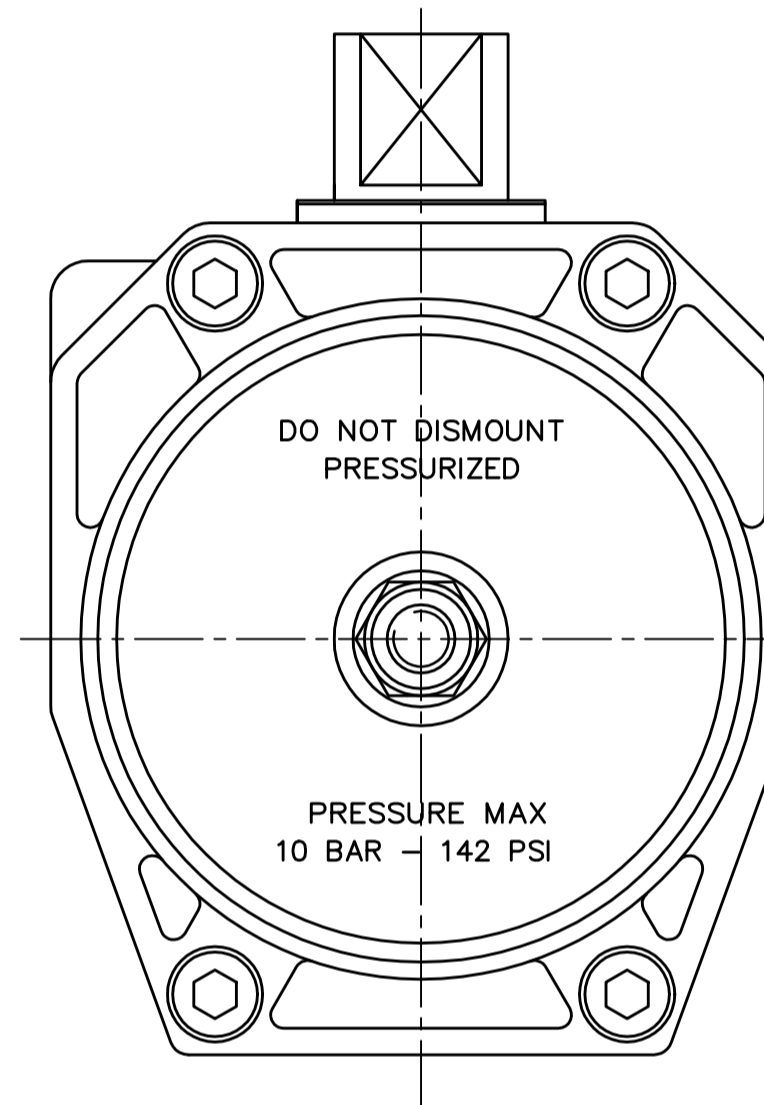
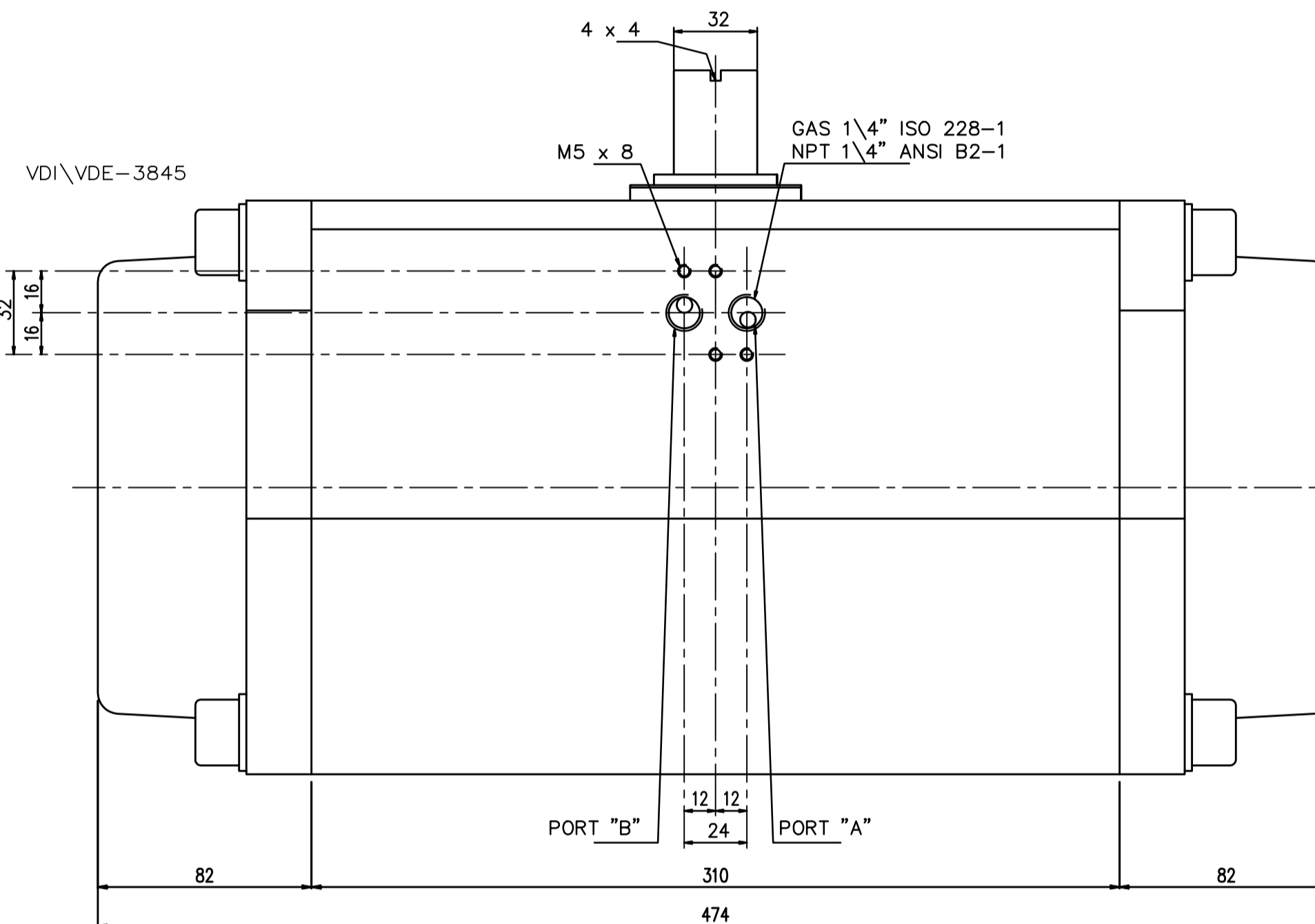
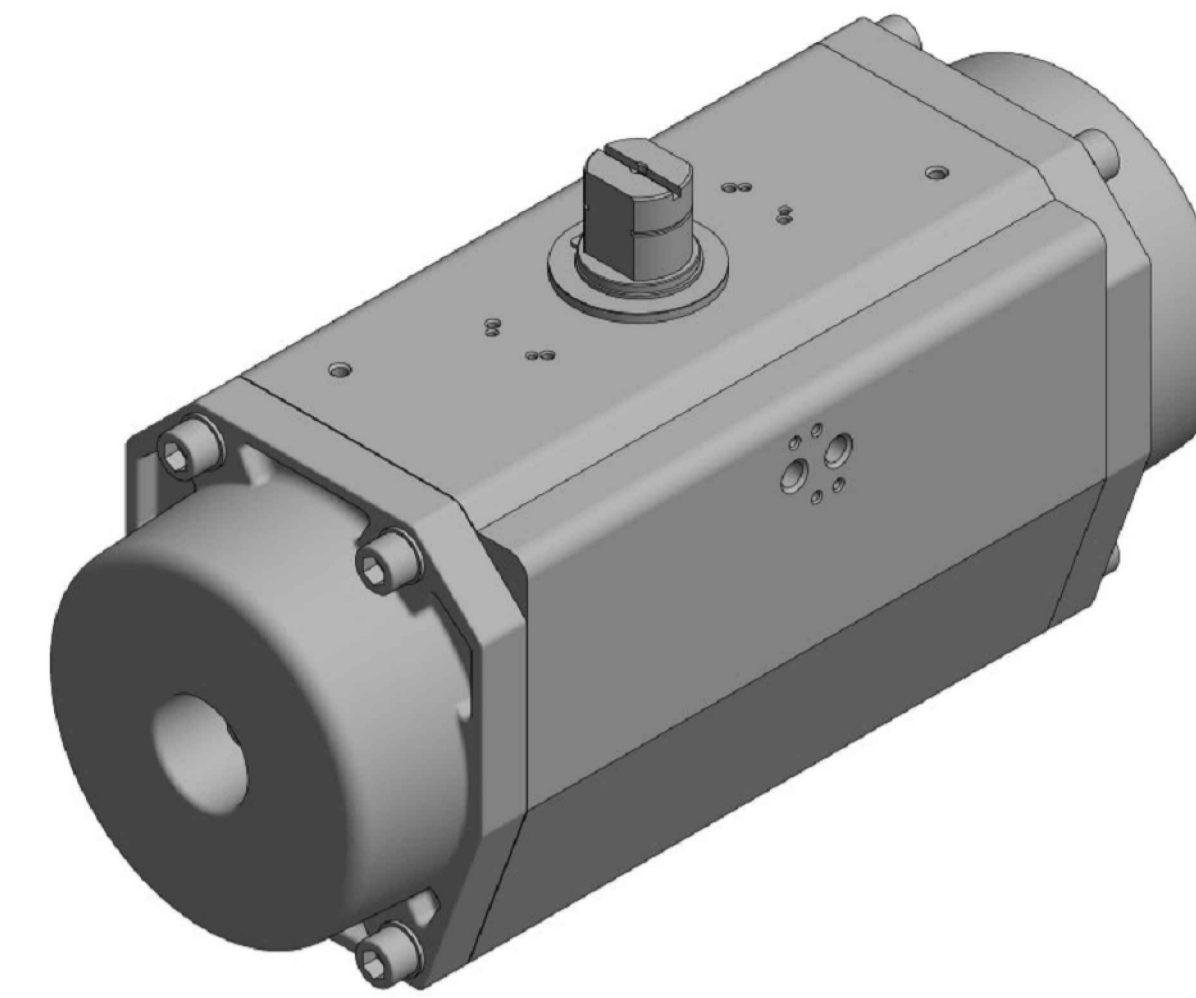
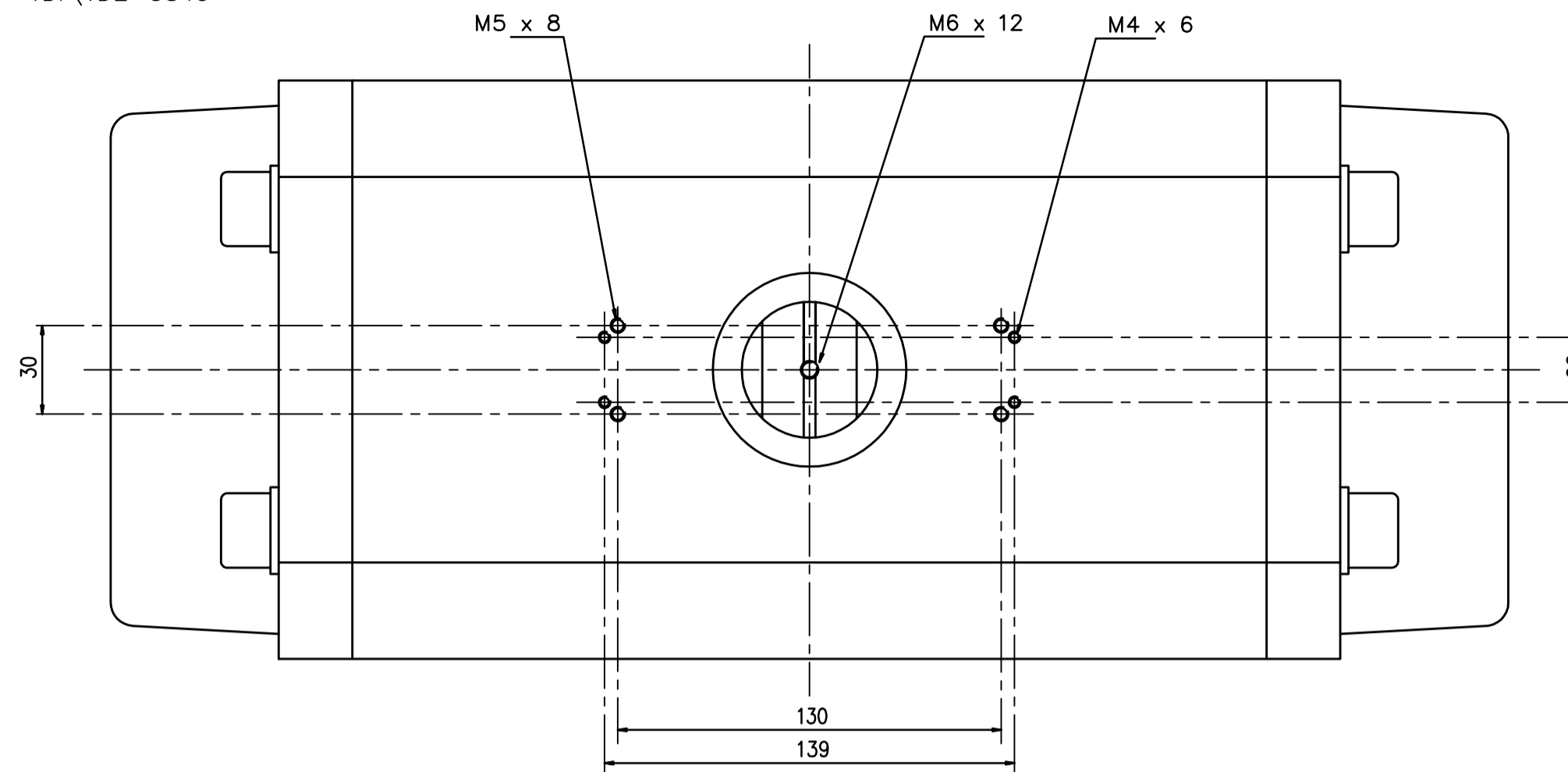


IF IN DOUBT ASK!

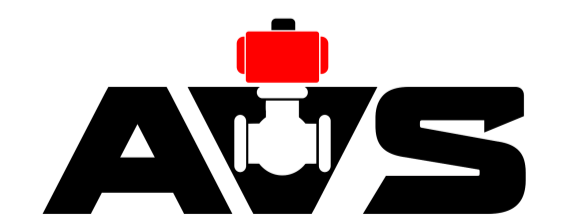
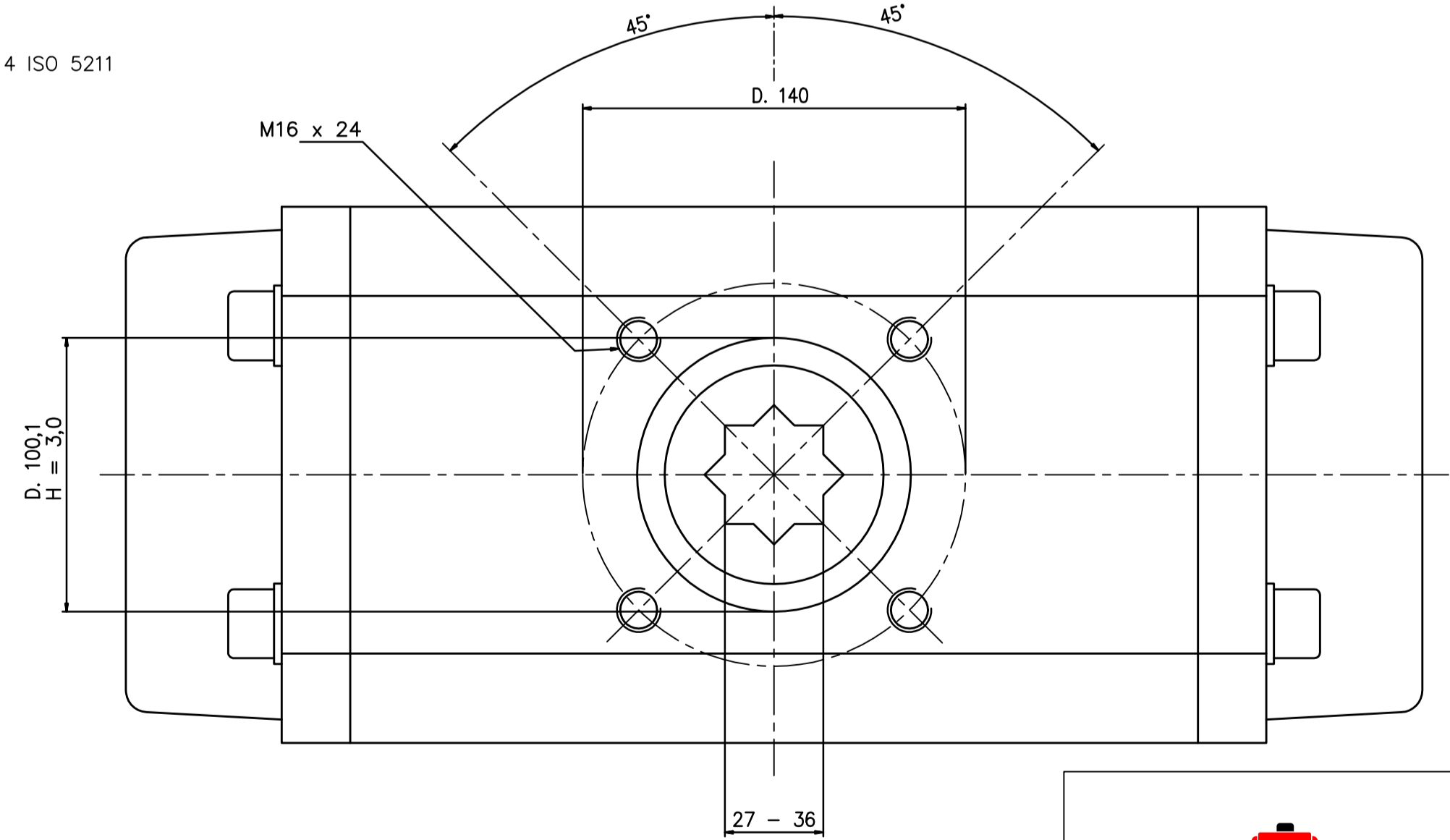
DO NOT SCALE PRINT!

DRAWING TO BS 8888

VDI\VDE-3845



F14 ISO 5211



TITLE CH-air MODEL A-180 PNEUMATIC ACTUATOR - ALUMINIUM

STOCK CODE CH-AIR-A-180-CAD DIM ARE mm

SCALE 1:2

CH-AIR-A-180-CAD

DRAWING NUMBER SHEET 1 OF 1

JRM	HMM	SBW	NEW		30.08.17
APPROVED BY	CHECKED BY	DRAWN BY	ISSUE	CHANGE NO.	DATE