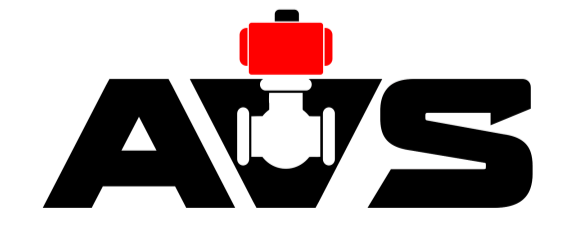
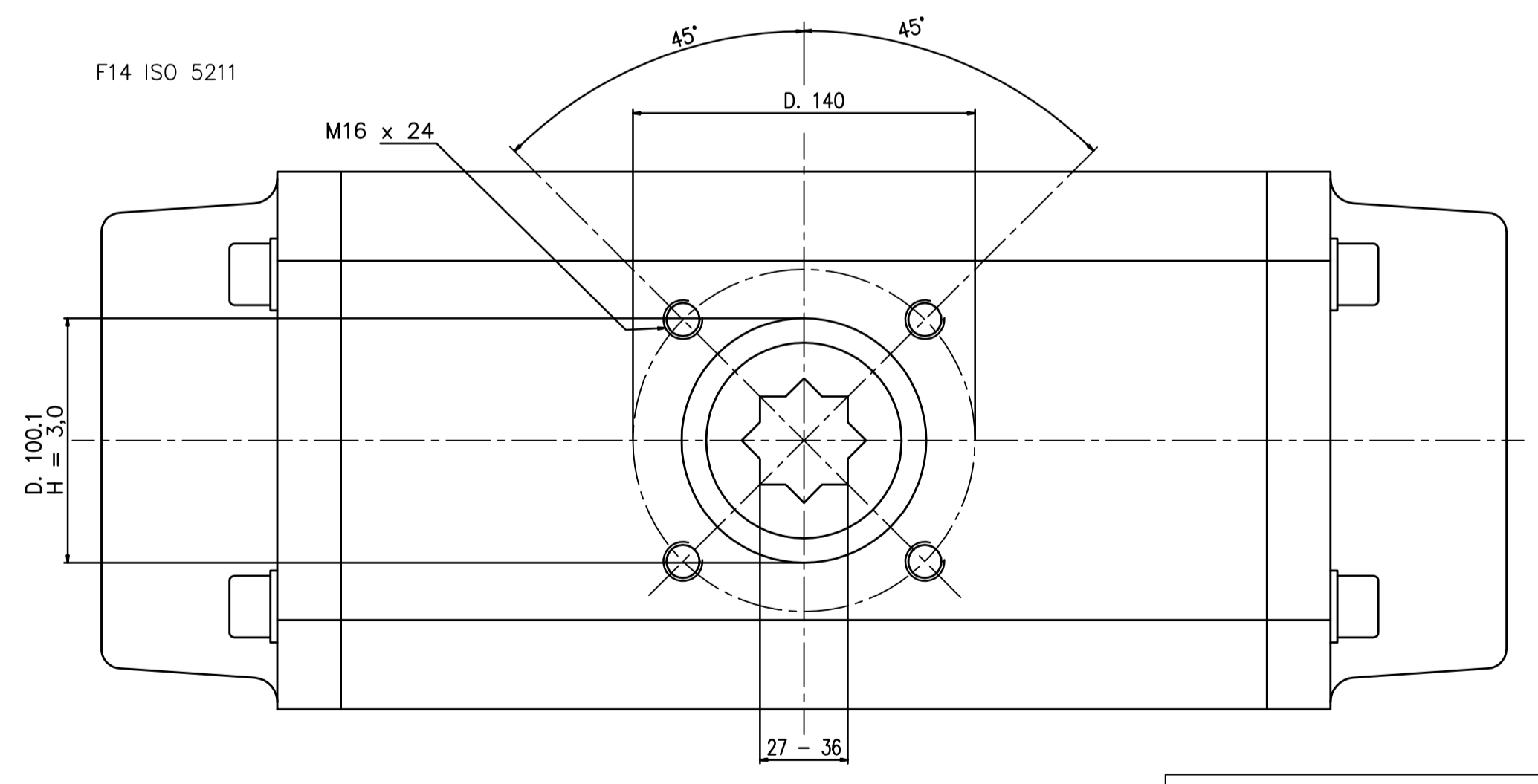
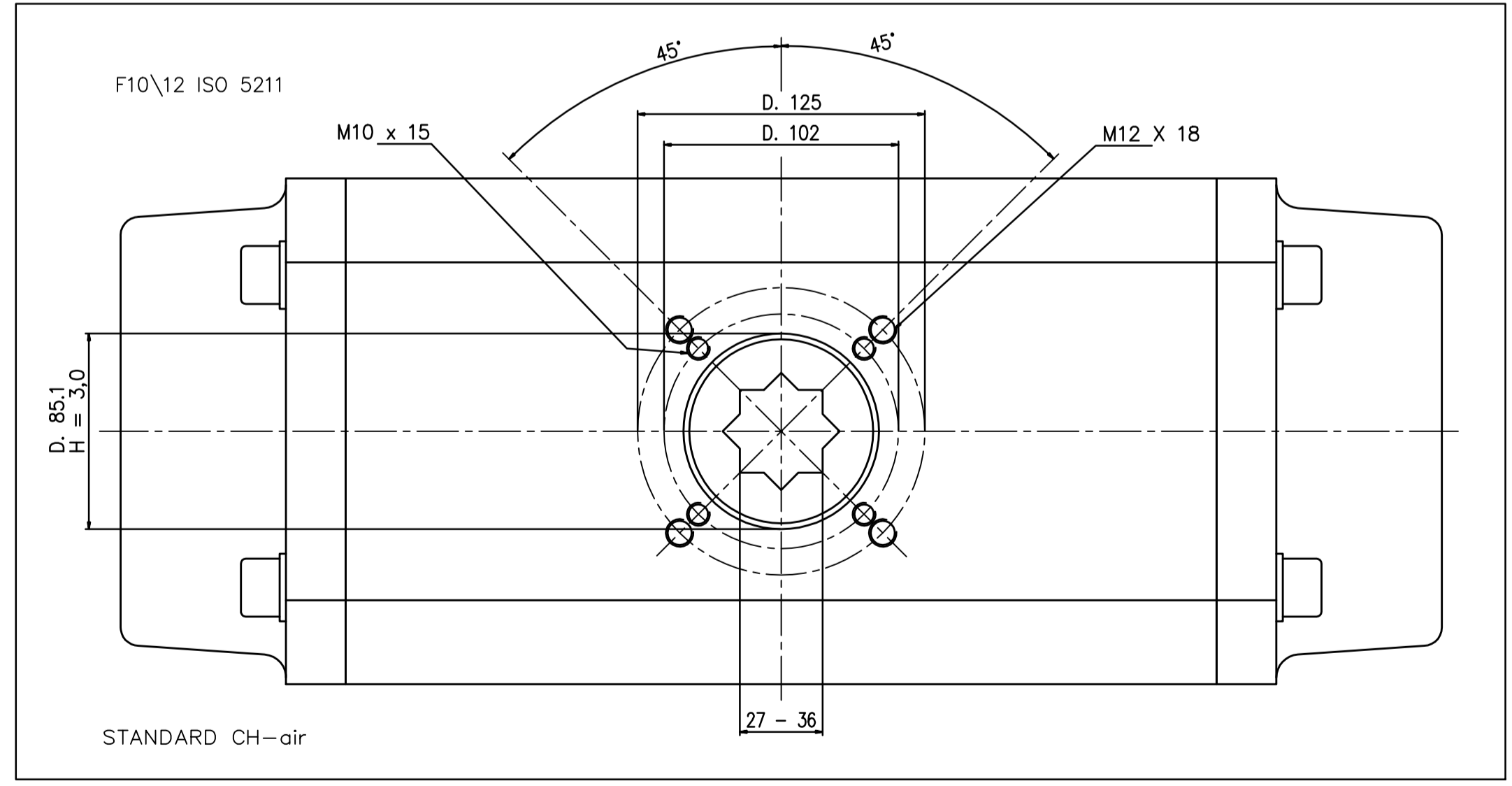
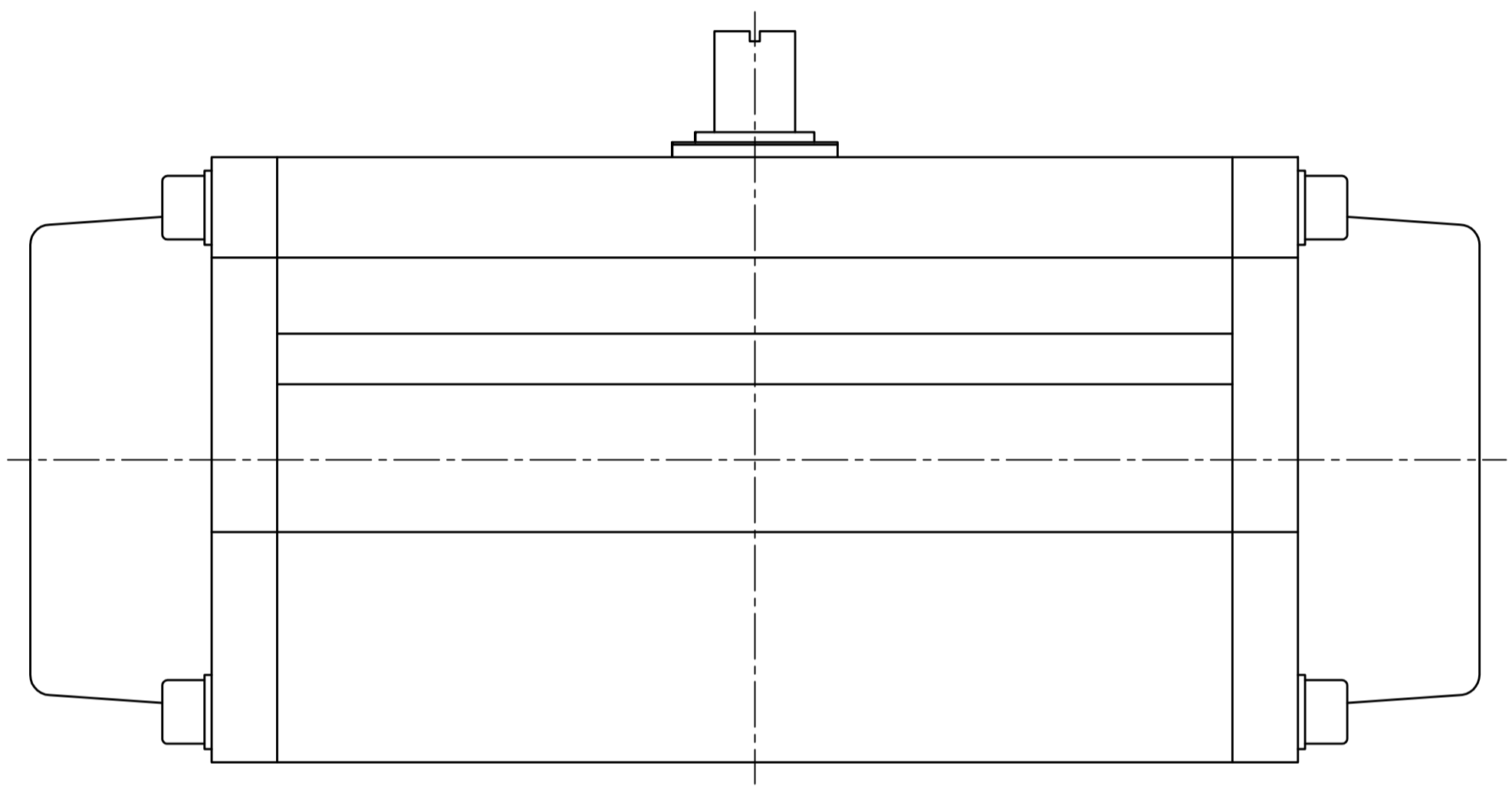
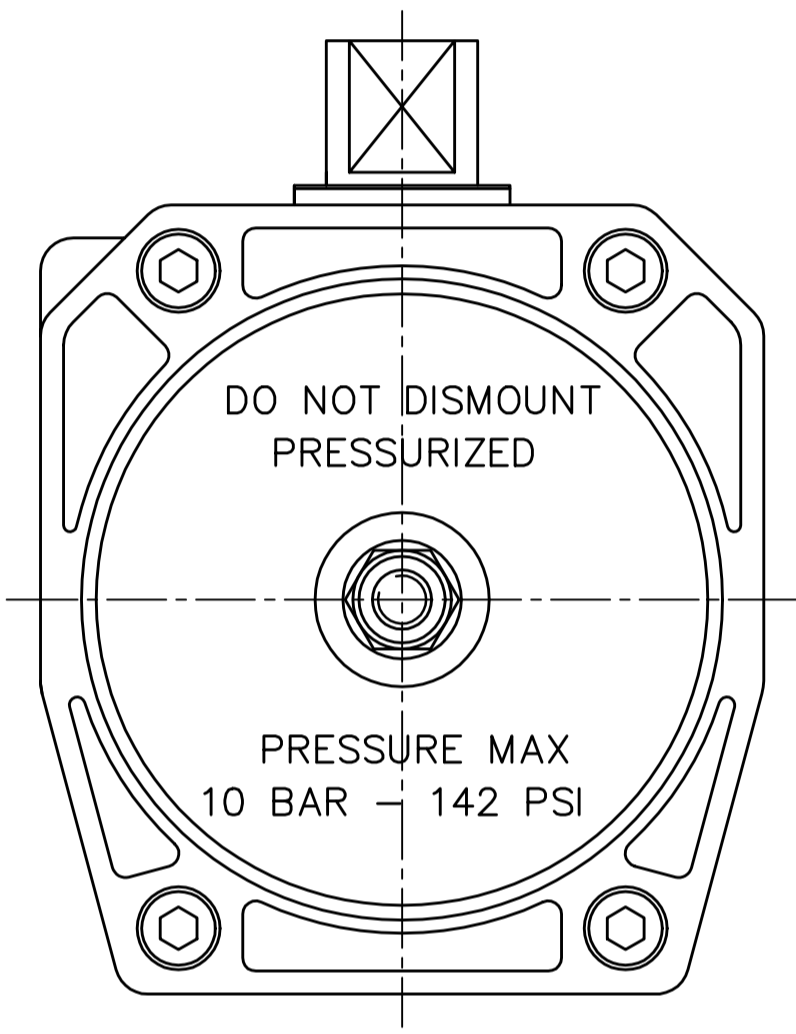
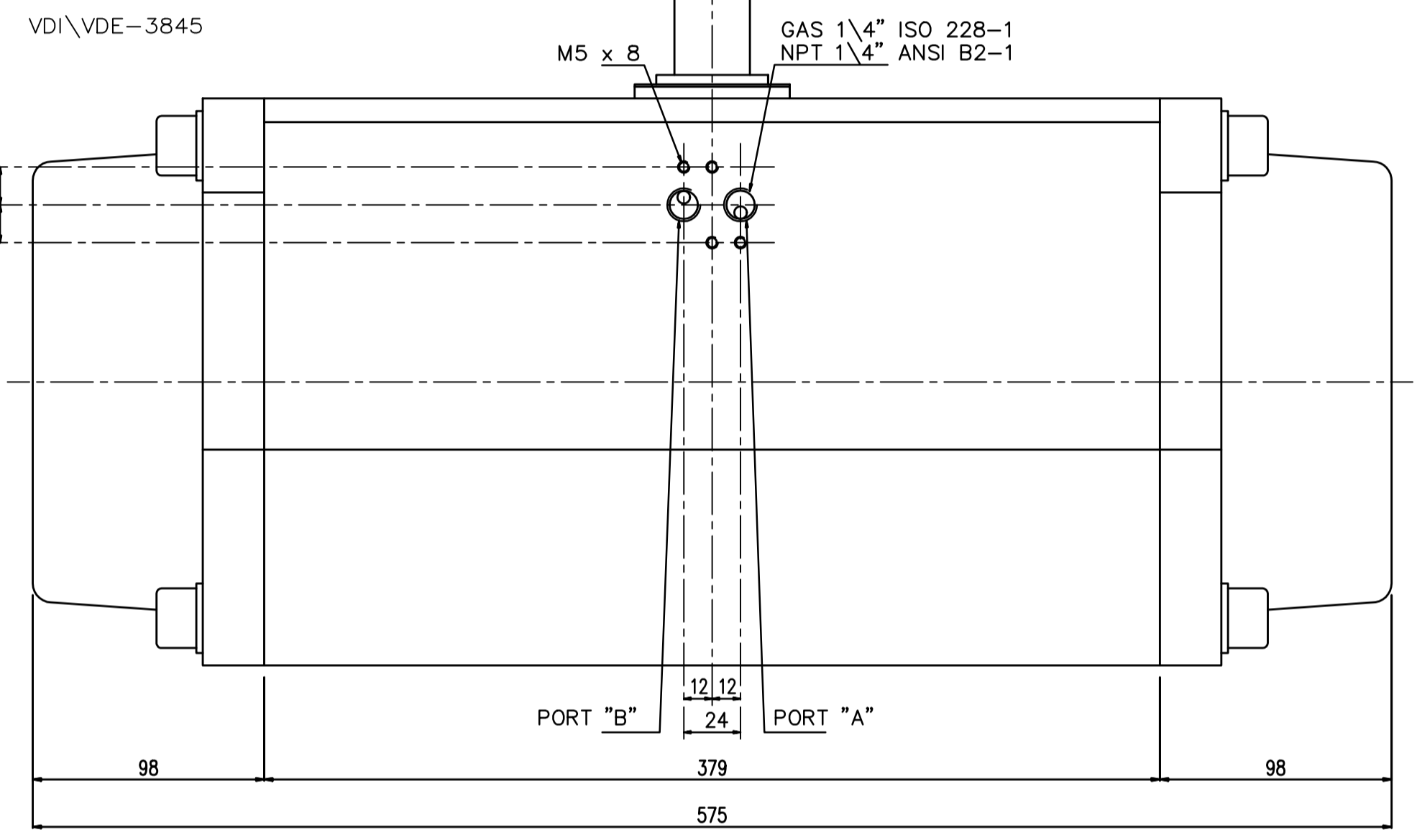
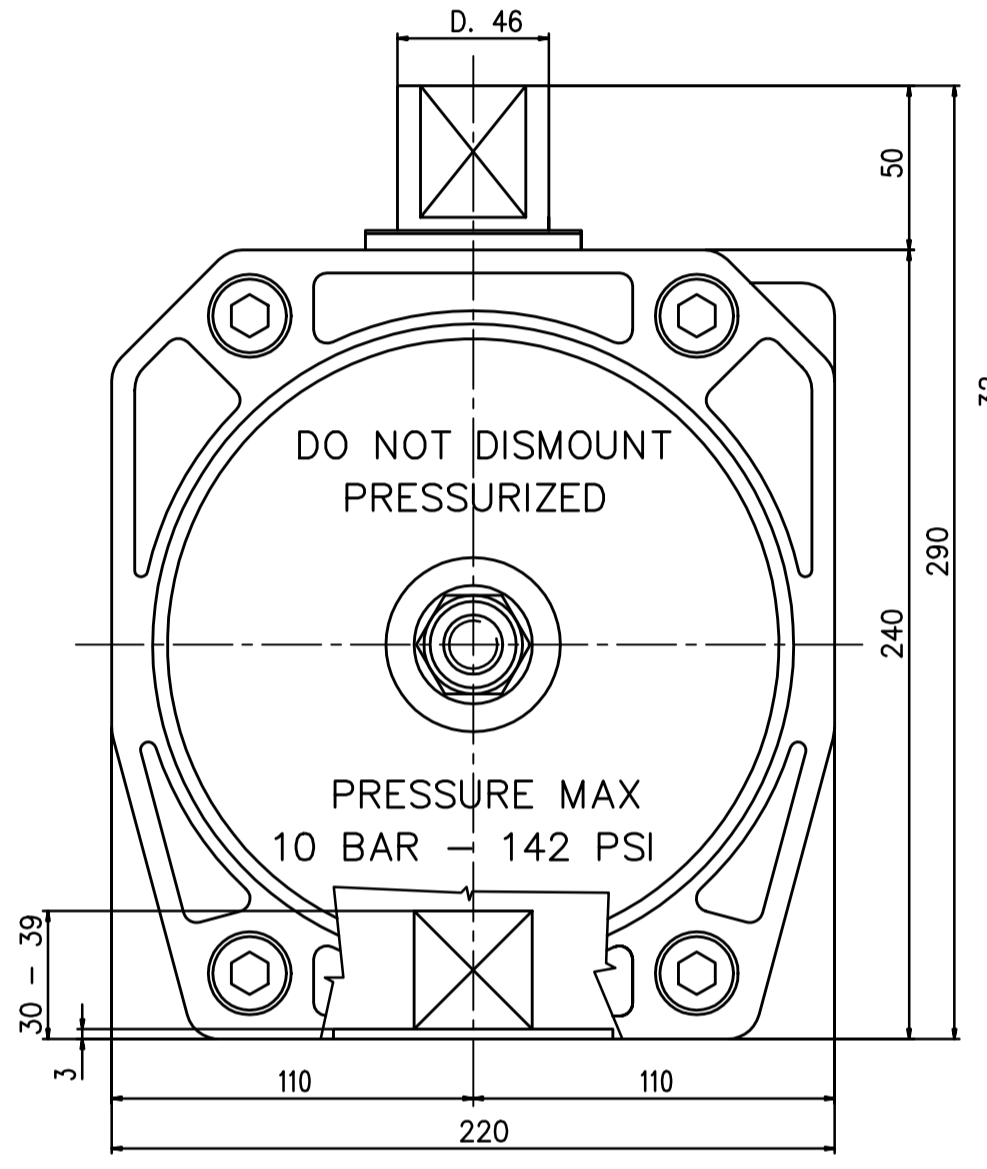
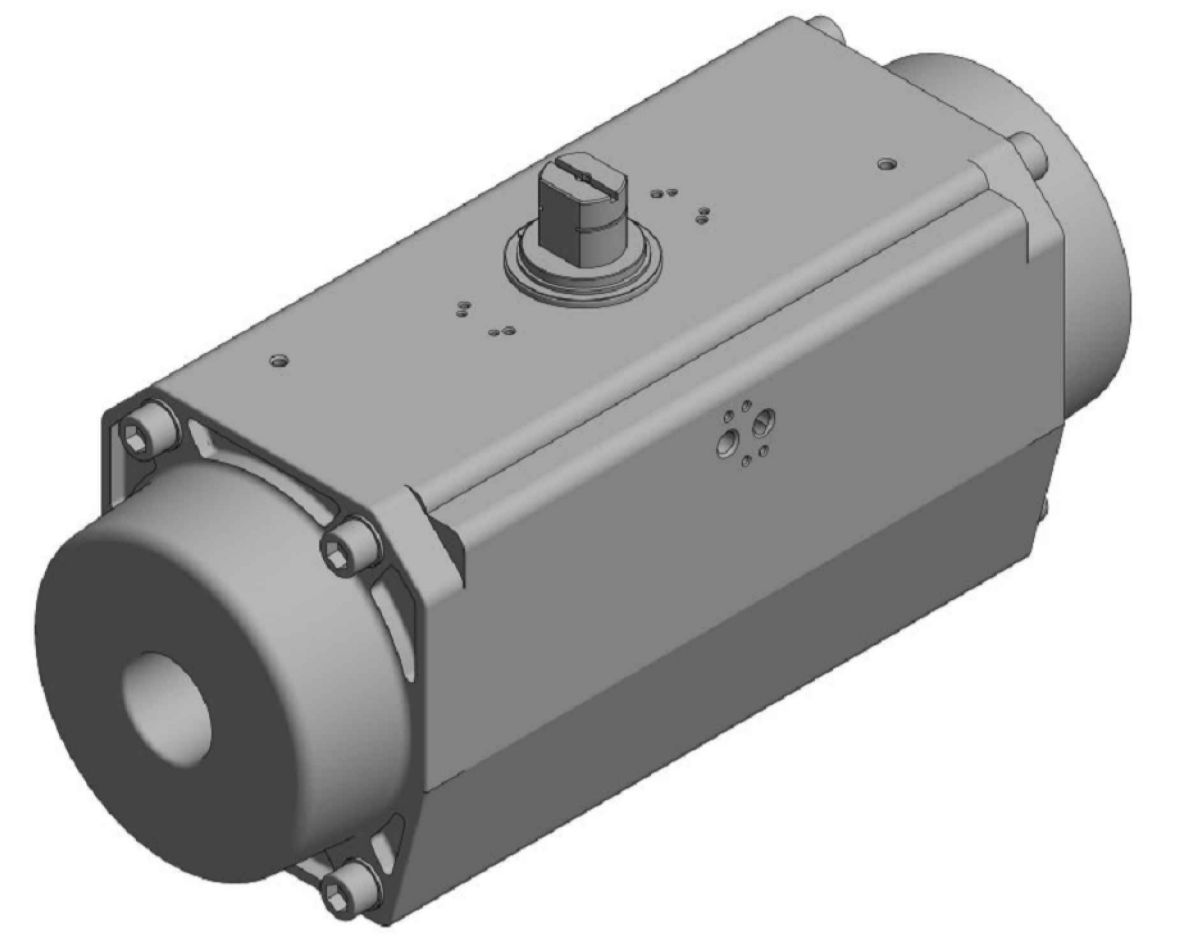
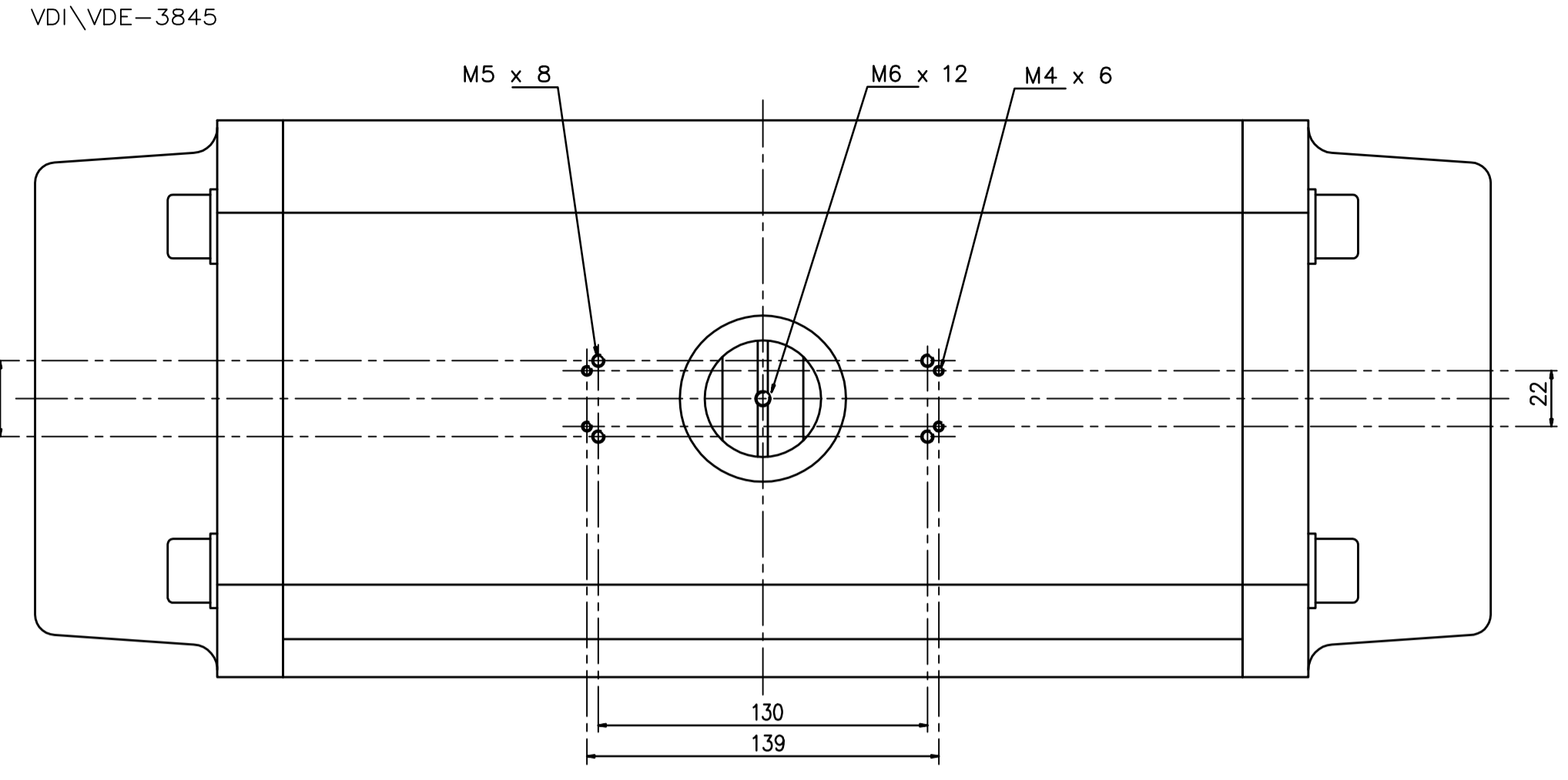


IF IN DOUBT ASK! DO NOT SCALE PRINT! DRAWING TO BS 8888



TITLE CH-air MODEL A-200 PNEUMATIC ACTUATOR - ALUMINIUM
 STOCK CODE CH-AIR-A-200-CAD
 DIM ARE mm SCALE 1:2.3
 APPROVED BY: JRM, HMM, SBW, NEW, 30.08.17
 DRAWING NUMBER CH-AIR-A-200-CAD SHEET 1 OF 1