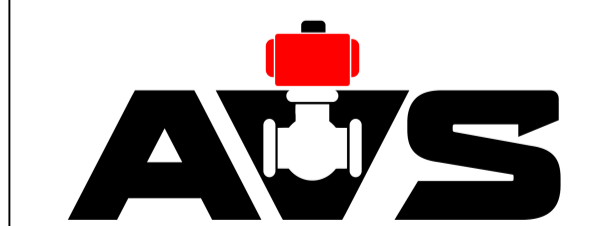
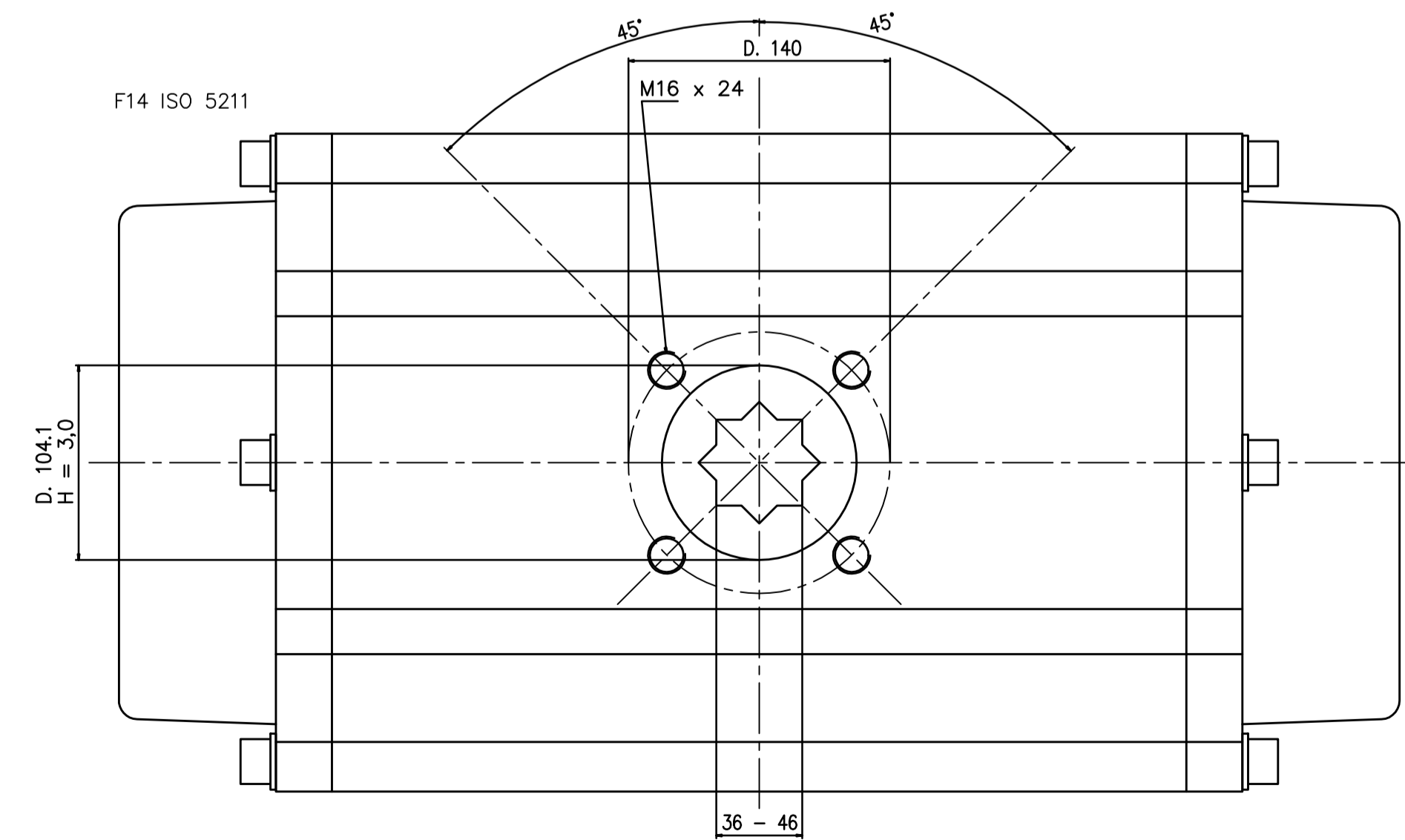
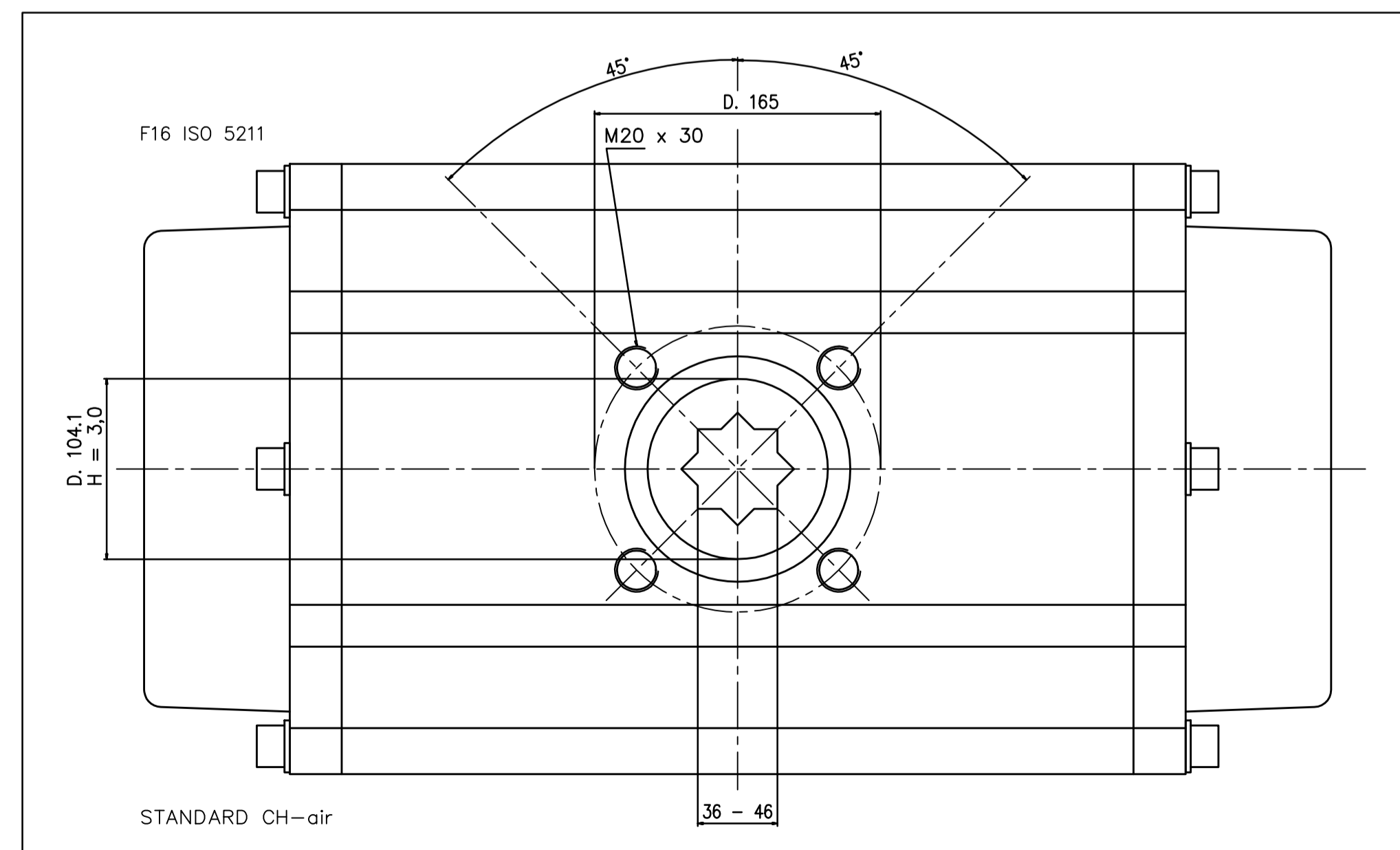
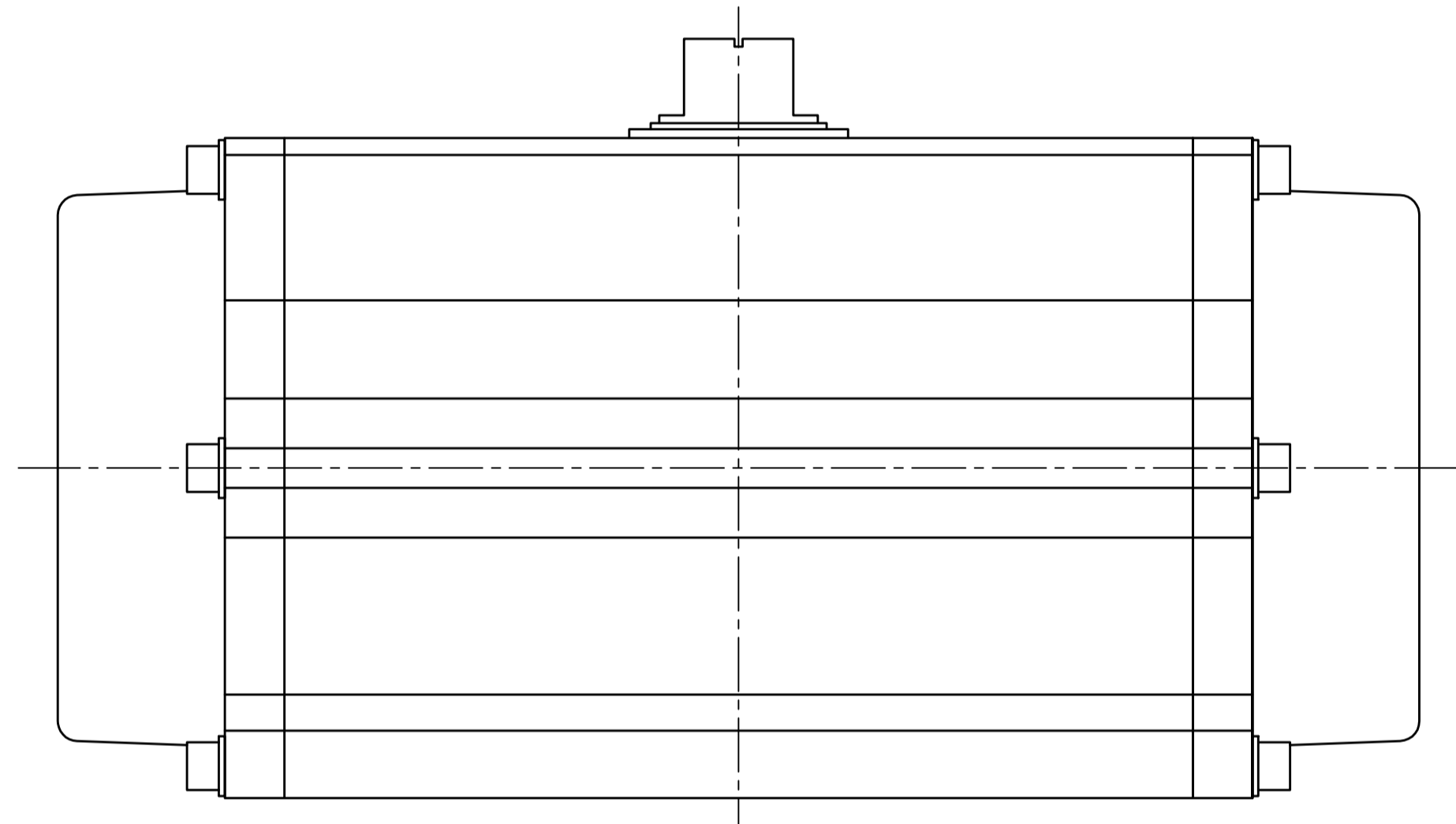
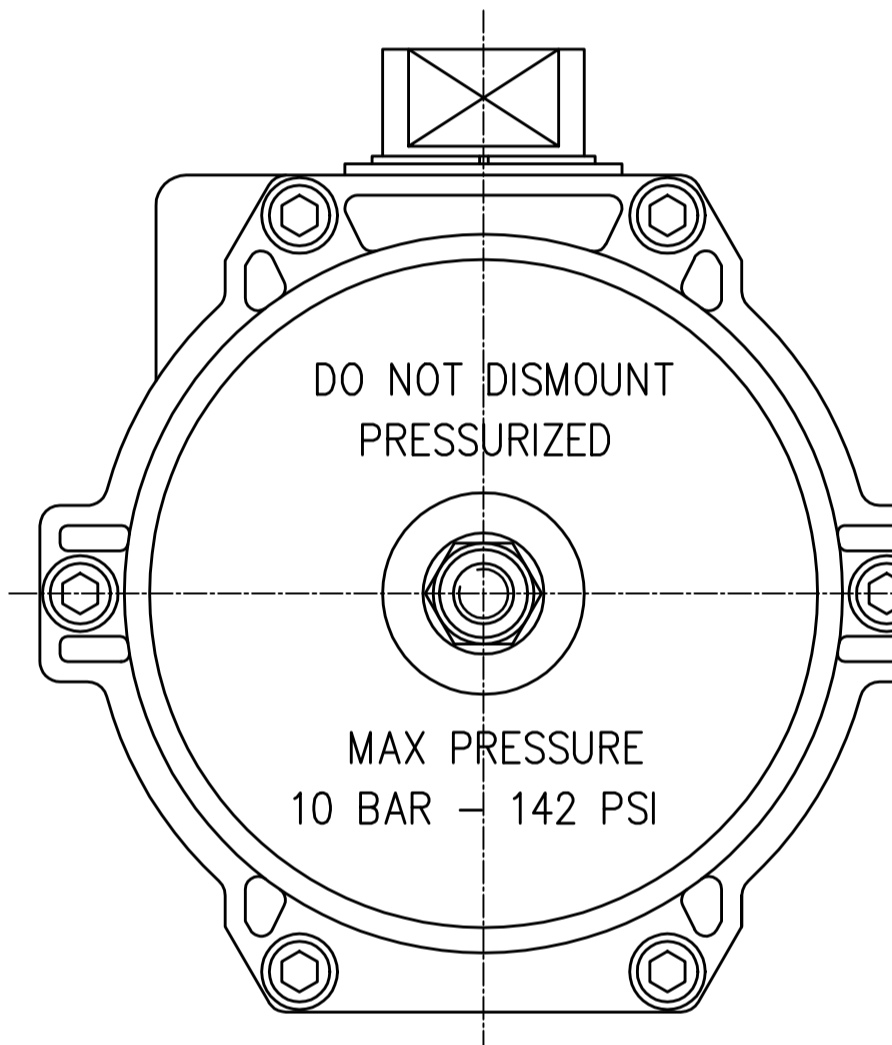
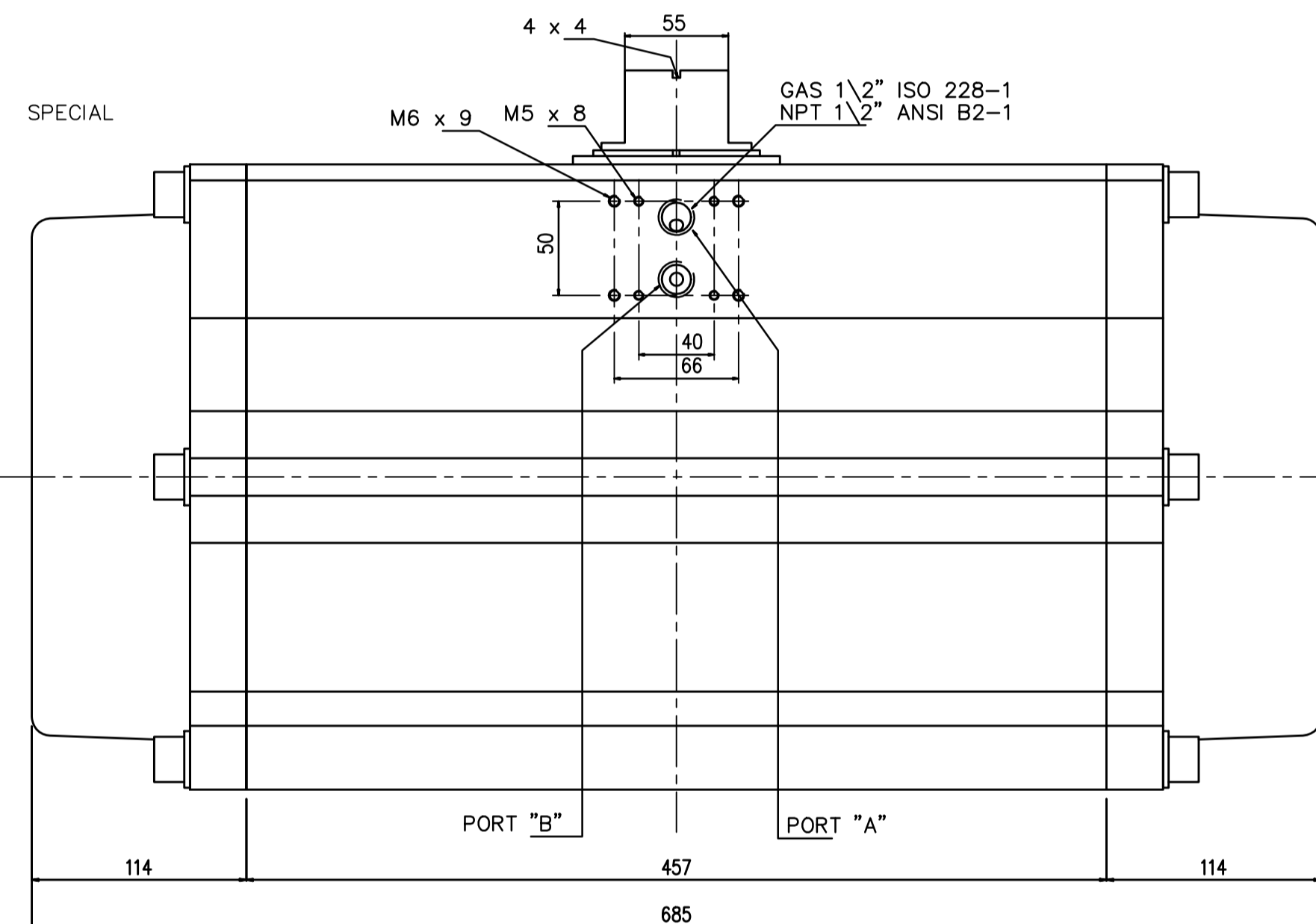
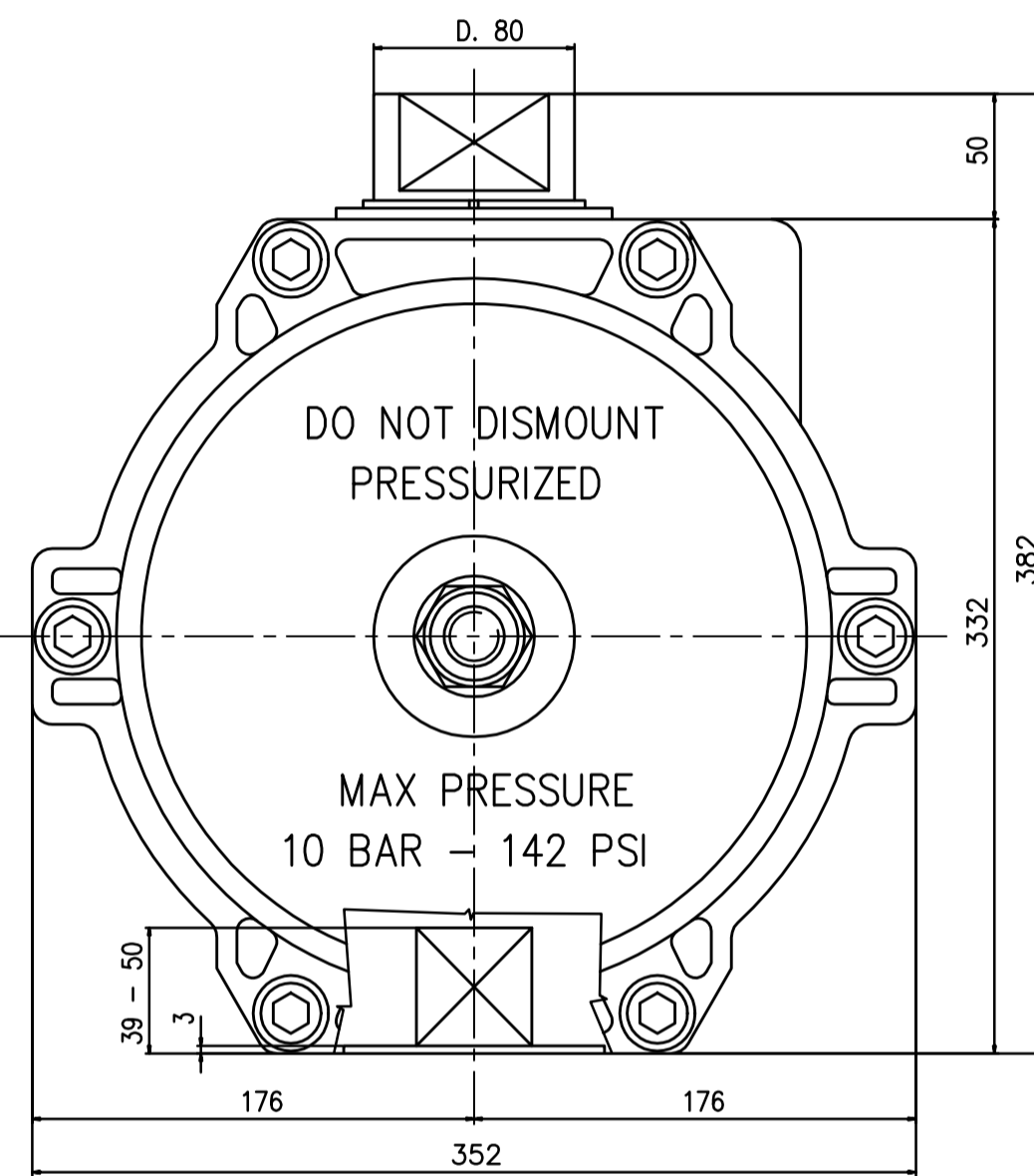
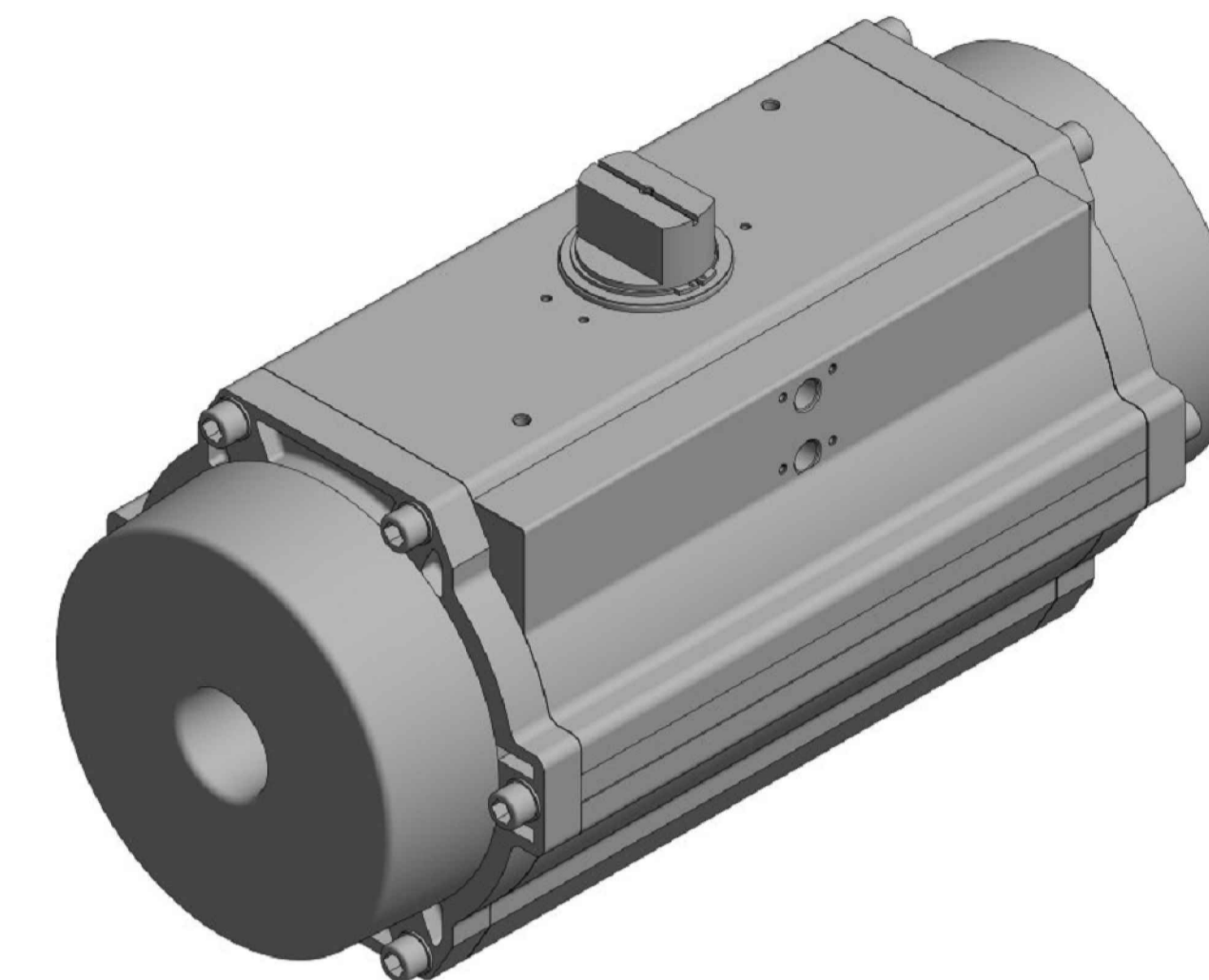
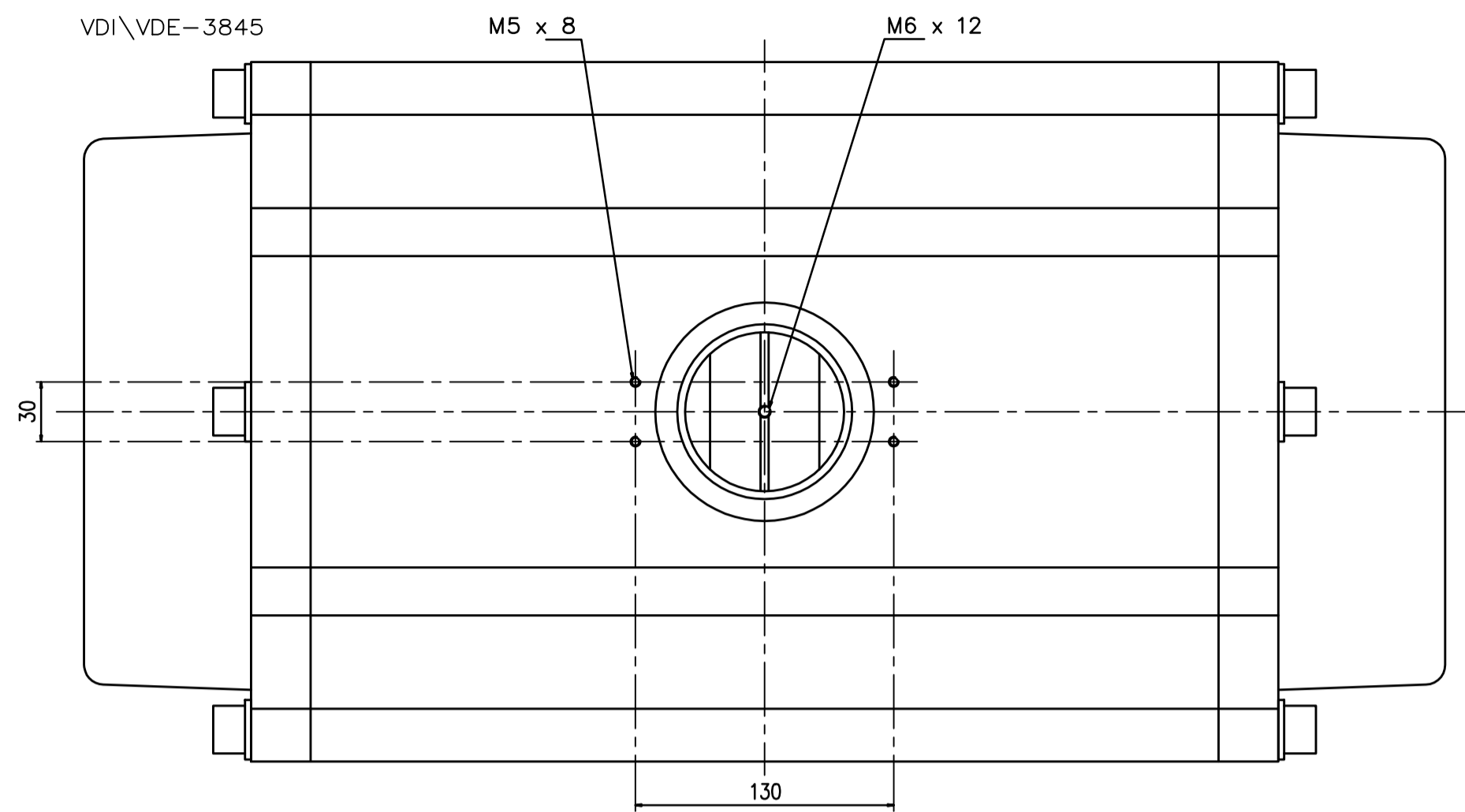


IF IN DOUBT ASK!

DO NOT SCALE PRINT!

DRAWING TO BS 8888



<small>THIS DRAWING IS CONFIDENTIAL AND IS NOT TO BE REPRODUCED WITHOUT THE WRITTEN CONSENT OF Actuated Valve Supplies Limited</small>						
TITLE CH-air MODEL A-270 PNEUMATIC ACTUATOR - ALUMINIUM						
STOCK CODE CH-AIR-A-270-CAD					DIM ARE mm	
					SCALE 1:3	
CH-AIR-A-270-CAD						
DRAWING NUMBER					SHEET 1 OF 1	

JRM	HMM	SBW	NEW		30.08.17
APPROVED BY	CHECKED BY	DRAWN BY	ISSUE	CHANGE NO.	DATE