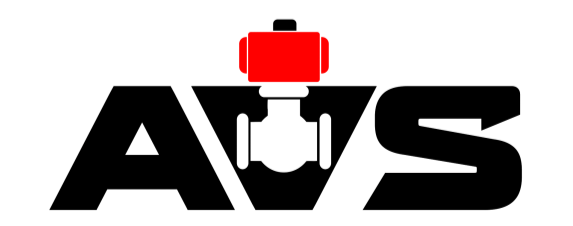
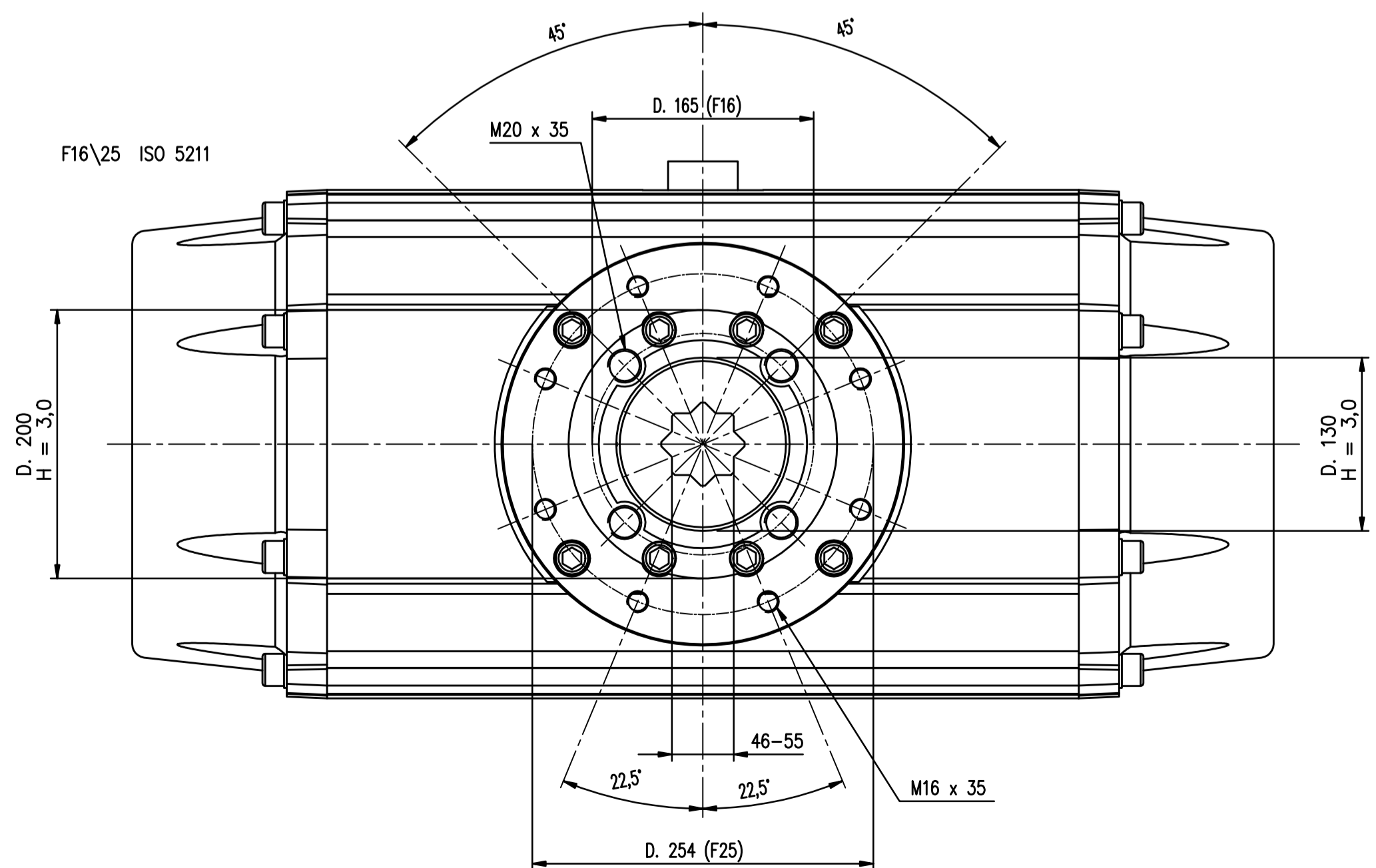
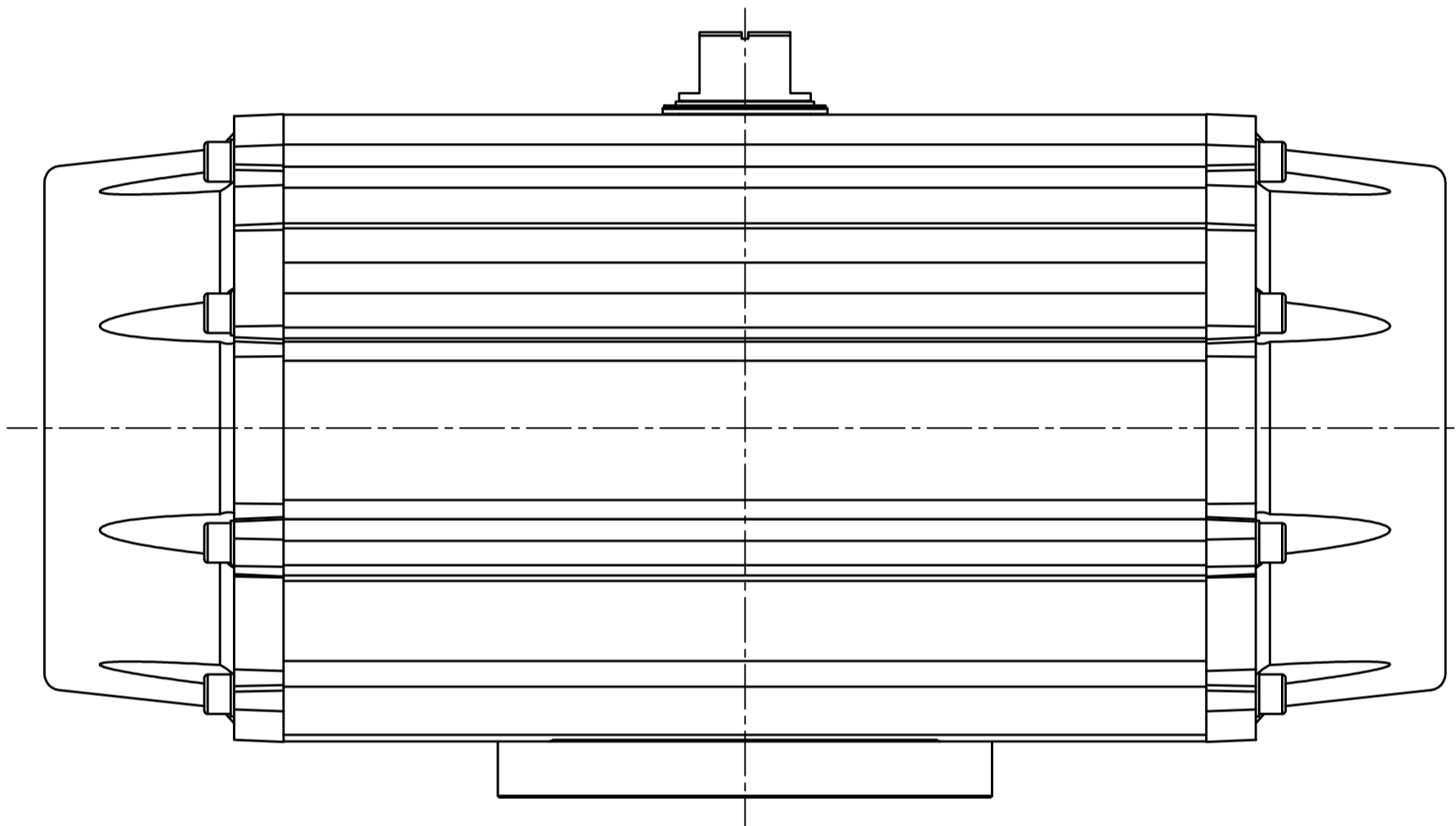
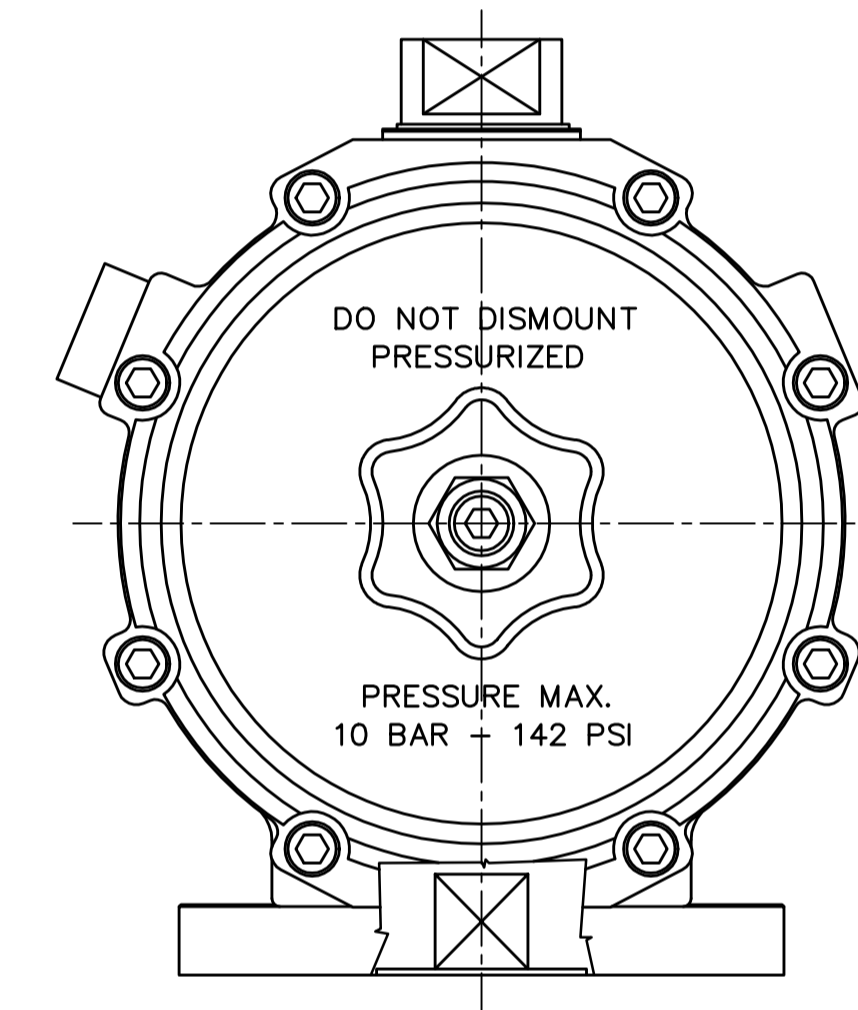
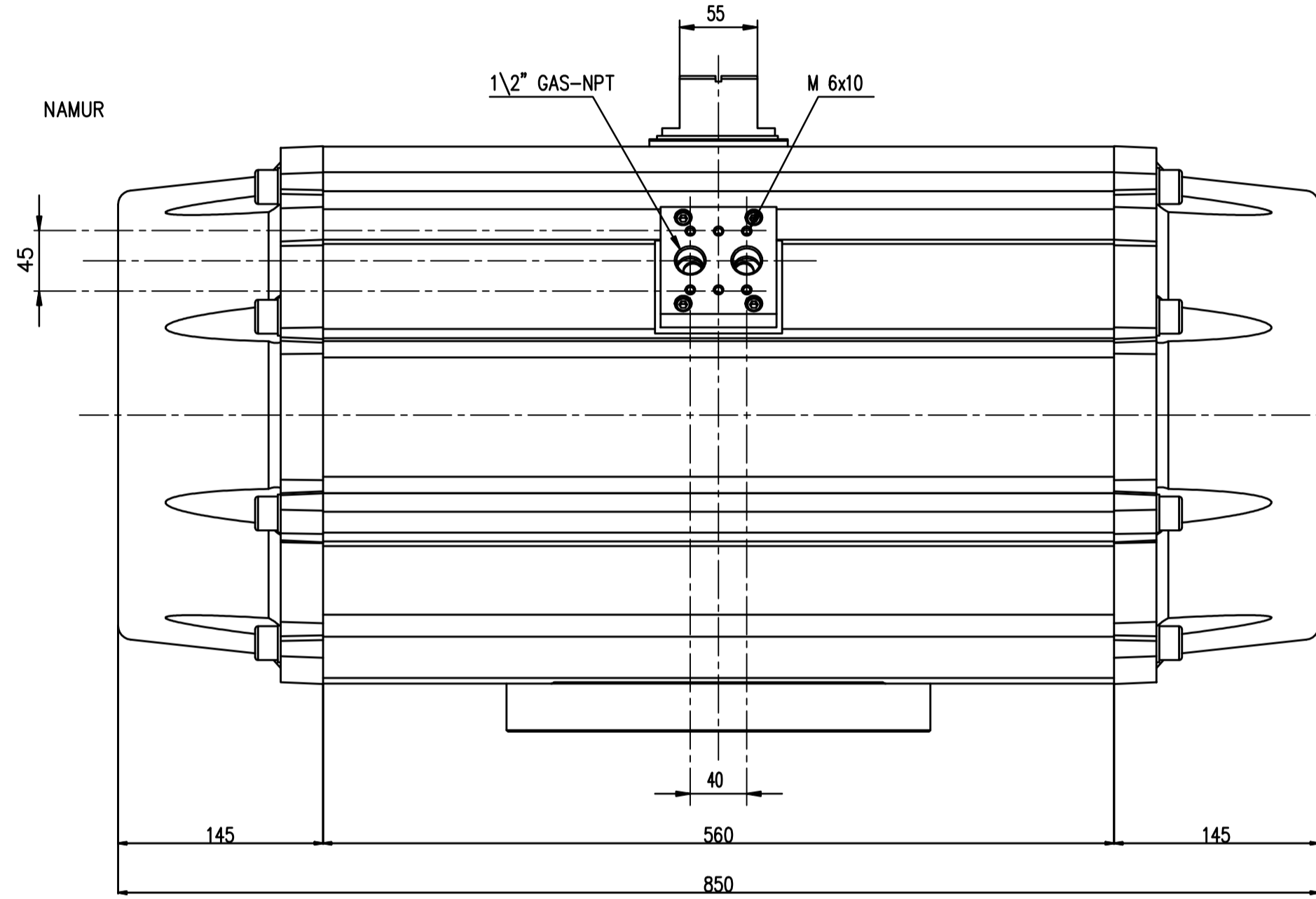
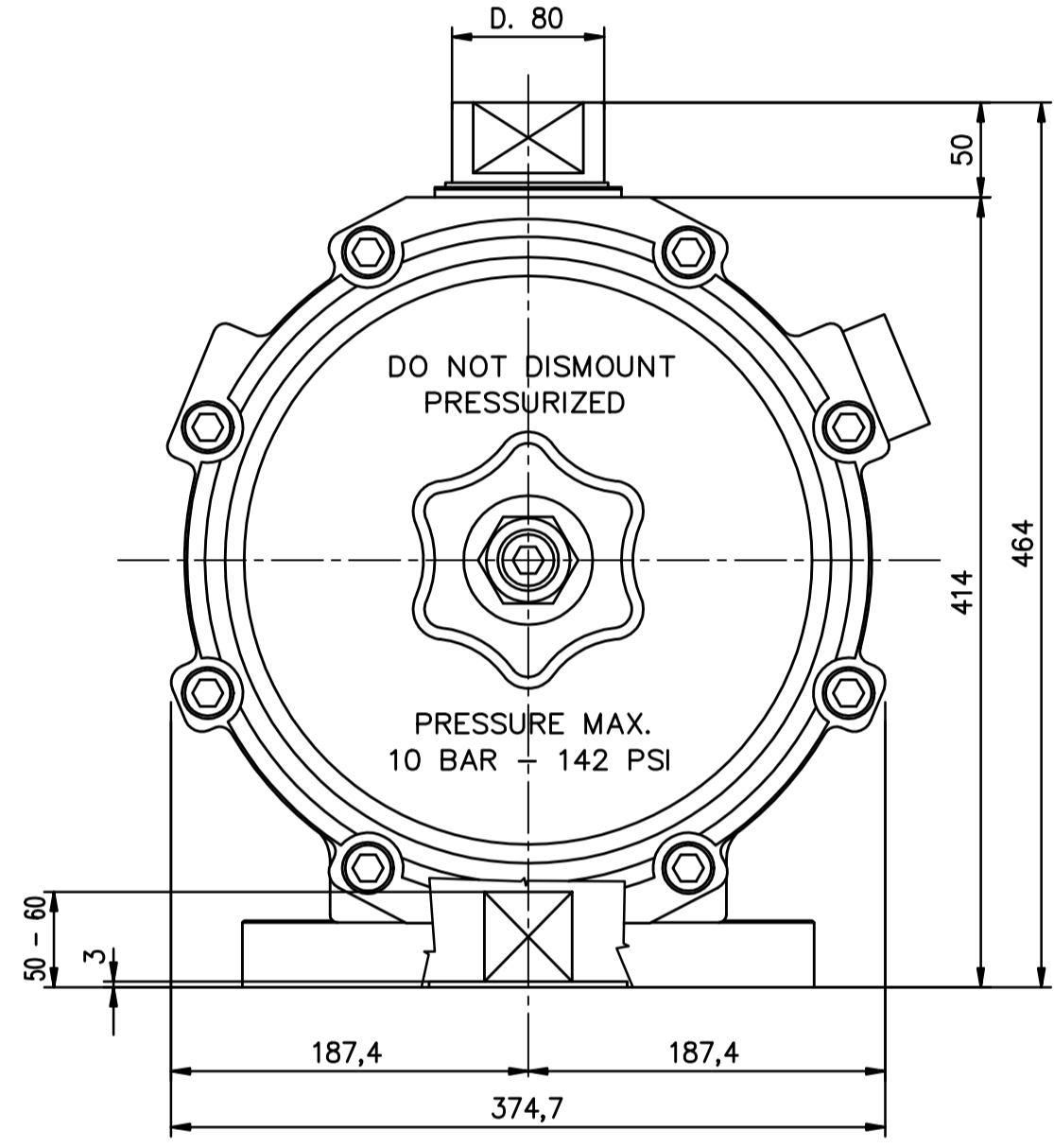
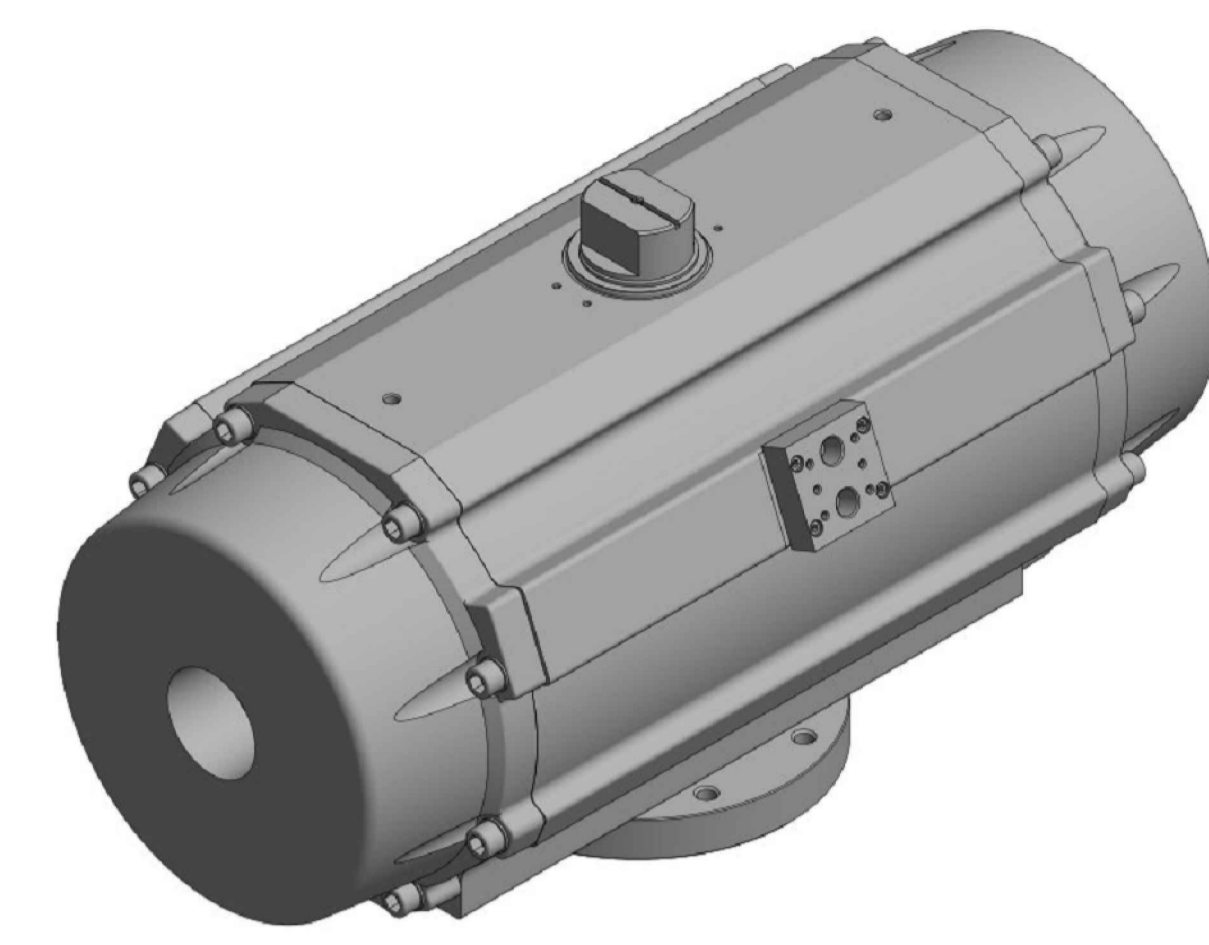
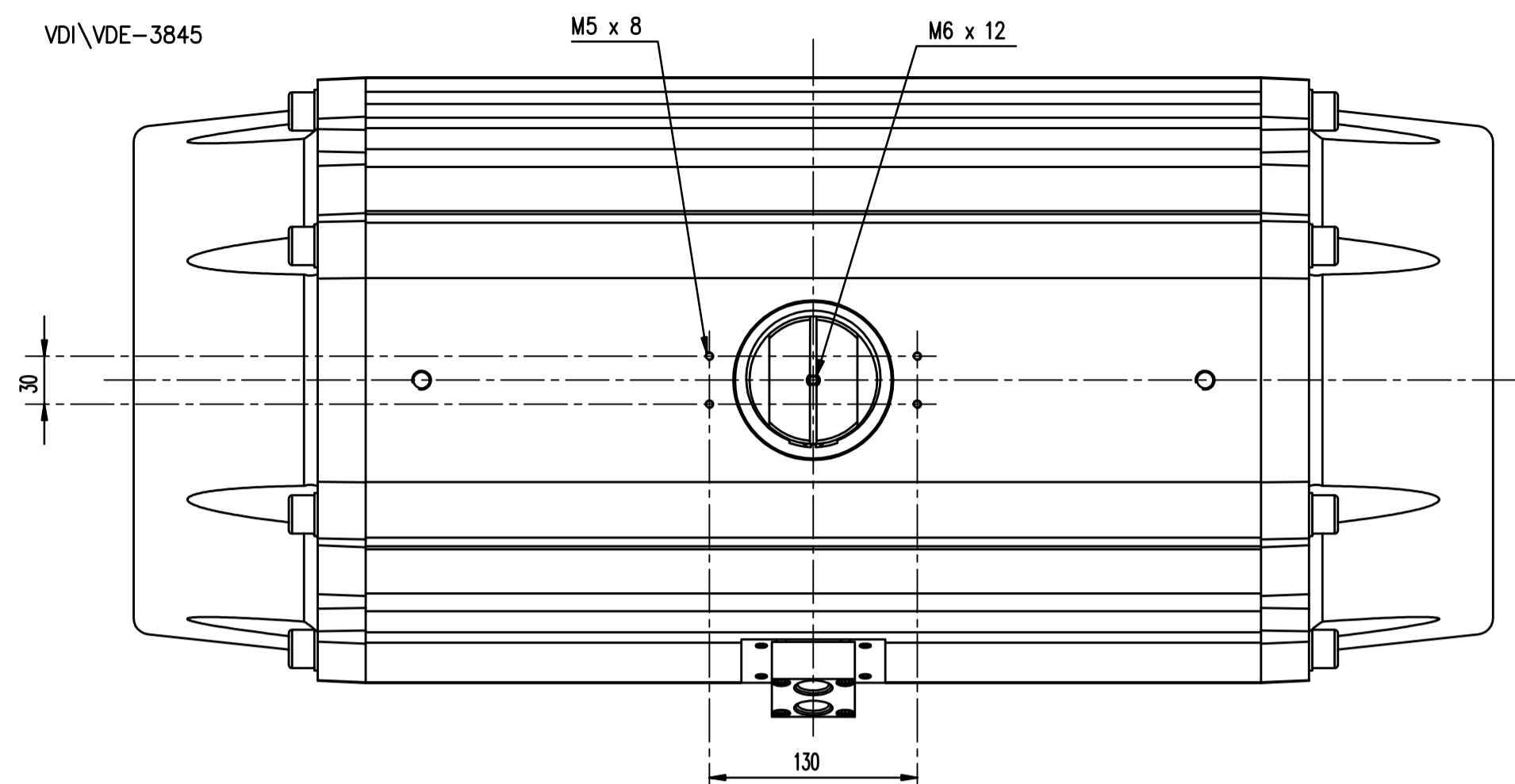


IF IN DOUBT ASK!

DO NOT SCALE PRINT!

DRAWING TO BS 8888



TITLE CH-air MODEL A-330 PNEUMATIC ACTUATOR - ALUMINIUM STOCK CODE CH-AIR-A-330-CAD DIM ARE mm SCALE 1:3.75					
JRM	HMM	SBW	NEW		30.08.17
APPROVED BY	CHECKED BY	DRAWN BY	ISSUE	CHANGE NO.	DATE
CH-AIR-A-330-CAD					SHEET 1 OF 1

APPROVED BY	CHECKED BY	DRAWN BY	ISSUE	CHANGE NO.	DATE