

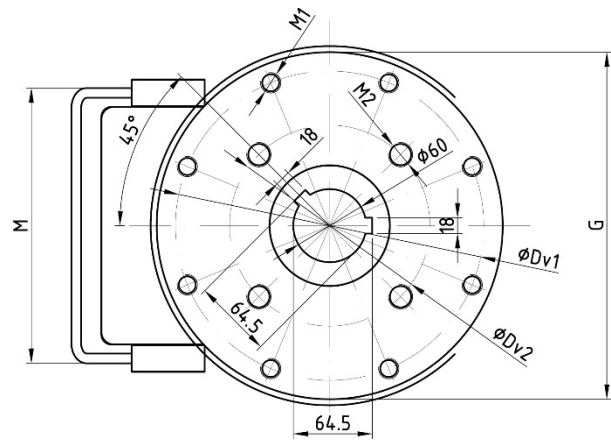
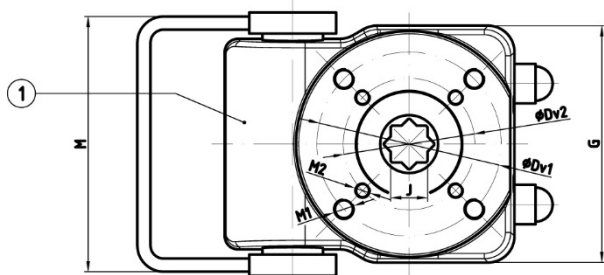


## Declutchable Gear Operator

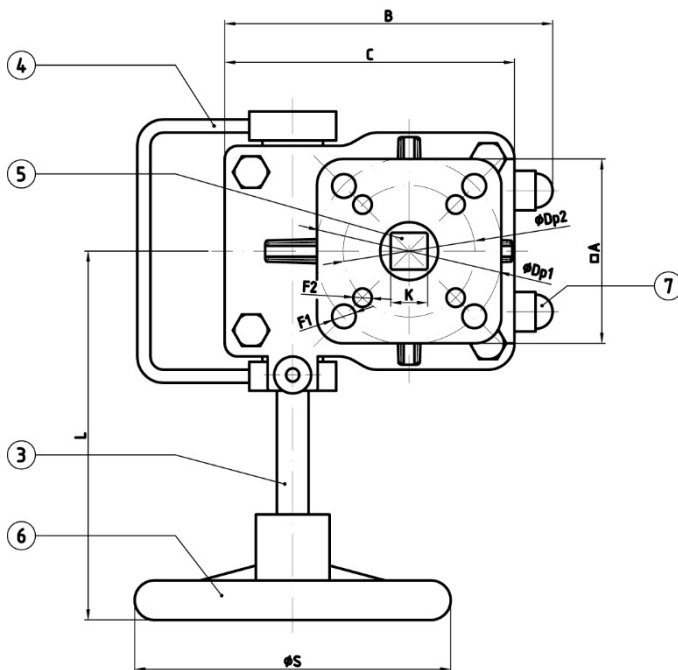
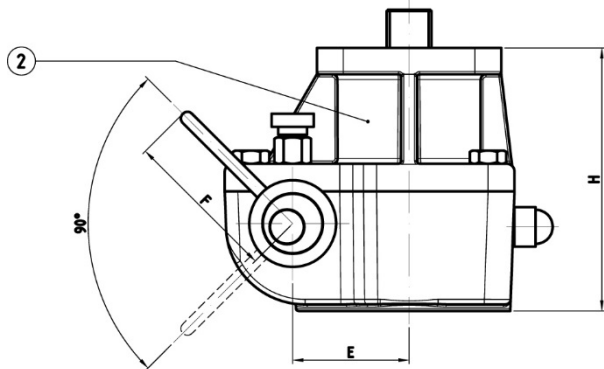
ISO 5211 – IP65

# Declutchable gear operator RMD

## Dimensions, Parts and Materials



ONLY RMD-254



Item	Description	Material
1	Body	Aluminium Alloy
2	Cover Plate	Aluminium Alloy
3	Shaft	Carbon Steel
4	Lever	Carbon steel
5	Join Shaft	Carbon Stell
6	Handwheel	Carbon steel Epoxy painted
7	Nut protection cup	NBR
	Worm	Ductil Iron
	Worm Gear	Carbon steel
	Screws	Steel

Model	Gear Ratio	Output Torque	A	B	C	E	F	Dp1	F1	Dp2	F2	Dv1	M1	Dv2	M2	J	K	G	H	L	M	Ø S	Weight (Kg)
RMD-050	1:40	300 Nm	70	125	110	44	54	70	8.5	50	6.5	70	M8	50	M6	17	14	90	100	130	104	200	2.3
RMD-102	1:36	810 Nm	115	185	160	65	70	125	13	102	11	125	M12	102	M10	27	22	140	124	180	140	300	5.6
RMD-140	1:50	1310 Nm	140	230	210	85	78	140	17	102	11	140	M16	--	--	36	27	190	162	300	180	400	12.5
RMD-165	1:55	2800 Nm	165	268	243	105	105	165	21	140	17	165	M20	--	--	36	36	230	181	385	210	600	25.8
RMD-254	1:50	5500 Nm	Ø295	330	283	130	115	165	21	254	17	165	M20	254	M16	--	46	285	205	400	225	700	40.3

Dimensions in mm.



# Declutchable gear operator RMD



## General Characteristics

Ambient temperature range: -30° to +80°

- Aluminium housing
- CH-Air's direct mount
- User-friendly
- Rugged construction
- Compact design – low weight
- Double stroke adjustment
- Sealed to IP-65
- Integral top flange
- ISO 5211 double drilled

## RMD-50

### CH-Air direct mount to Double Acting Actuator

CH-A-050 F05 / CH-A-063 F05
CH-A-075 / CH-A-085
CH-A-100 / CH-A-115

### CH-Air direct mount to Single Acting

CH-A-050SR F05 / CH-A-063SR F05
CH-A-075SR / CH-A-085SR

Calculated with maximum springs sets

## RMD-102

### CH-Air direct mount to Double Acting Actuator

CH-A-125
CH-A-145 / CH-A-160

### CH-Air direct mount to Single Acting

CH-A-100SR
CH-A-115SR

Calculated with maximum springs sets

## RMD-140

### CH-Air direct mount to Double Acting Actuator

CH-A-160
CH-A-180

### CH-Air direct mount to Single Acting

CH-A-145SR
------------

Calculated with maximum springs sets

## RMD-165

### CH-Air direct mount to Double Acting Actuator

CH-A-180 F14
CH-A-200
CH-A-240

### CH-Air direct mount to Single Acting

CH-A-180SR F14
CH-A-200SR

Calculated with maximum springs sets

## RMD-254

### CH-Air direct mount to Double Acting Actuator

CH-A-240
CH-A-270
CH-A-330

### CH-Air direct mount to Single Acting

CH-A-240SR (*)
CH-A-270SR (*)
CH-A-330SR 4/4

(\*) Calculated with maximum springs sets

