

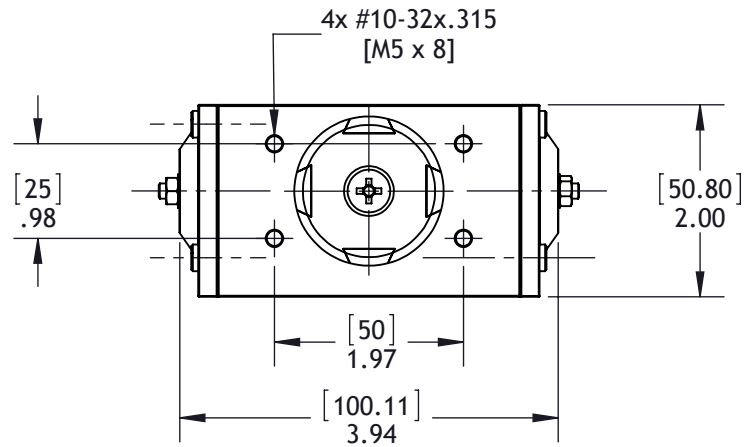
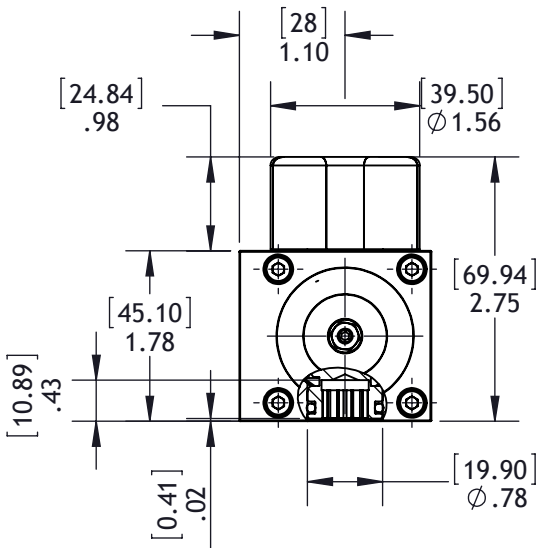
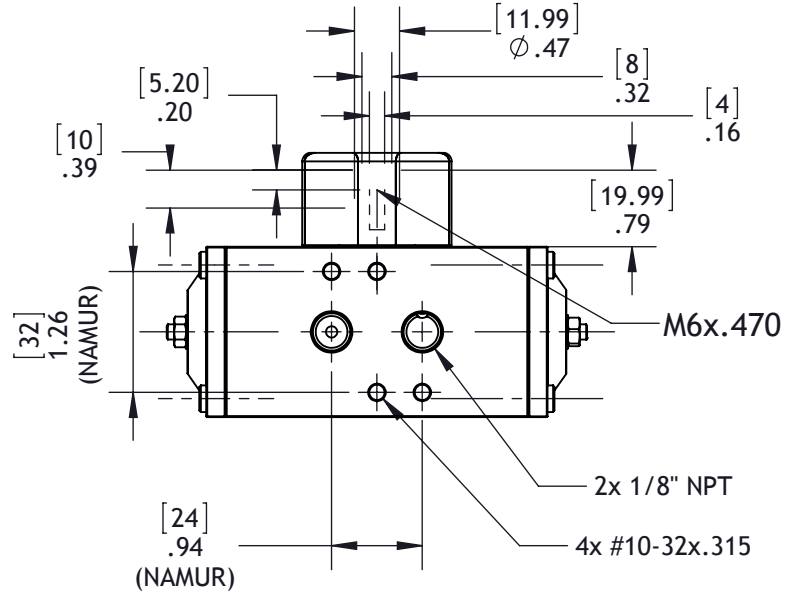
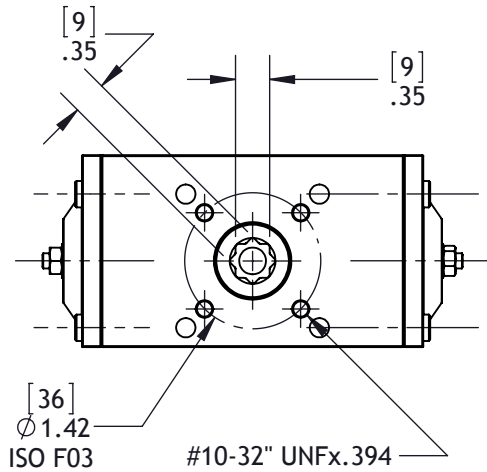
MT04
TECHNICAL DATA



MT03
DATI TECNICI

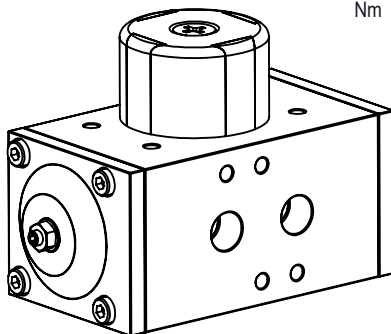
DIMENSIONS TO
ISO 5211 - DIN 3337
AND NAMUR VDI/VDE 3845

DIMENSIONS IN INCHES
[MM]



DOUBLE ACTING (Metric)

	1 Bar	2 Bar	3 Bar	4 Bar	5 Bar	5.5 Bar	6 Bar	7 Bar	8 Bar	9 Bar	10 Bar
Nm	1.31	2.67	4.0	5.34	6.67	7.5	8.04	9.38	10.72	12.06	13.4



DOUBLE ACTING (Imp)

	40 PSIG	60 PSIG	80 PSIG	100 PSIG	120 PSIG
Nm	33	49	65	82	98

Weight (LB)	1.058
Weight (KG)	0.48
Air Consumption (CU. IN.)	4.03
Air Consumption (N. Lt.)	0.07