

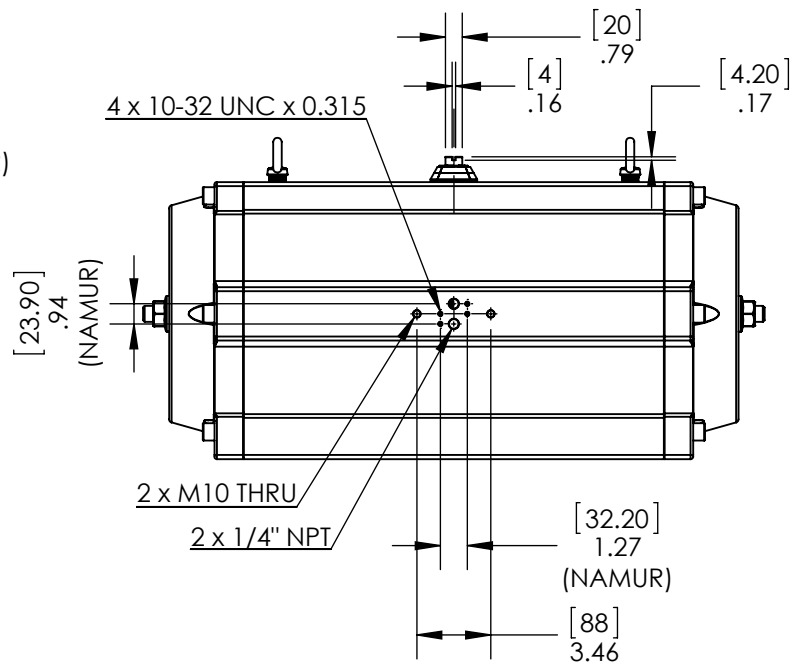
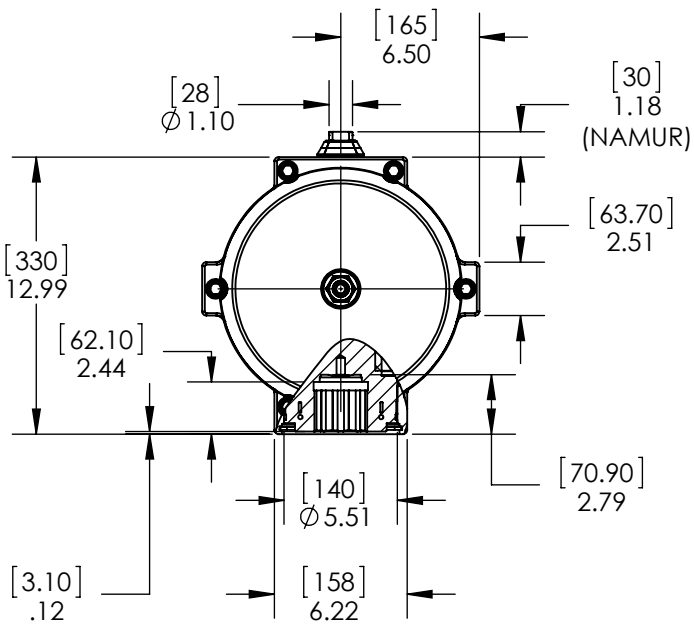
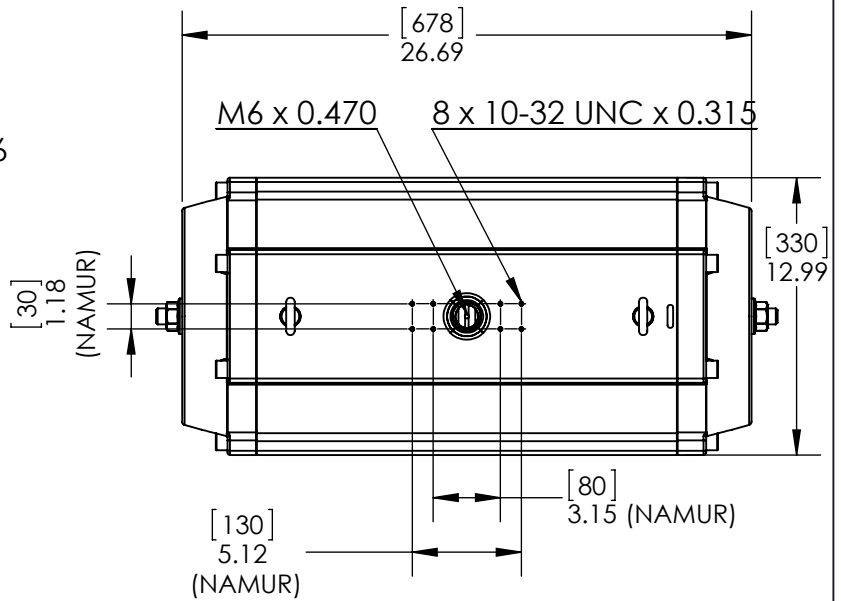
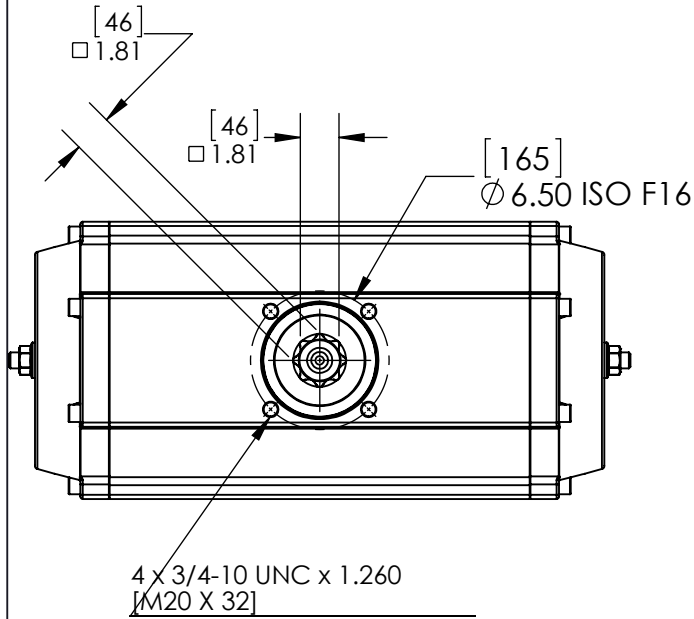
MT76
TECHNICAL DATA



MT75
DATI TECNICI

DIMENSIONS TO
ISO 5211 - DIN 3337
AND NAMUR VDI/VDE 3845

DIMENSIONS IN INCHES
[MM]



WEIGHT (LB.)		AIR CONSUMPTION (CU. IN.)	
D.A.	S.R. 8+8	D.A.	S.R. 8+8
179.9	216.1	1963.0	731.0

MT-75

VALORI DI COPPIA in "Nm"
TORQUE VALUES in "Nm"

DOPPIO EFFETTO
DOUBLE ACTING

100 kPa = 1 Bar

100 kPa	200 kPa	300 kPa	400 kPa	500 kPa	562 kPa	600 kPa	700 kPa	800 kPa
634	1268	1903	2537	3171	3564	3805	4439	5074

SEMPLICE EFFETTO 90°
SPRING RETURN 90°

100 kPa = 1 Bar

POS. 1 COPPIA DI CHIUSURA (RITORNO MOLLE) POS. 1 CLOSING TORQUE (SPRING)		POS. 2 - COPPIA DI APERTURA - POS. 2 - OPENING TORQUE																
		200 kPa		300 kPa		400 kPa		500 kPa		562 kPa		600 kPa		700 kPa		800 kPa		
N° MOLLE # SPRINGS	START	END	START	END	START	END	START	END	START	END	START	END	START	END	START	END	START	END
1+1	321	201	1067	947	1702	1582	2336	2216	2970	2850	3363	3243	3604	3484	4238	4118	4873	4753
2+2	642	403	865	626	1500	1261	2134	1895	2768	2529	3161	2922	3402	3163	4036	3797	4671	4432
3+3	963	604	664	305	1299	940	1933	1574	2567	2208	2960	2601	3201	2842	3835	3476	4470	4111
4+4	1284	805	--	--	1098	619	1732	1253	2366	1887	2759	2280	3000	2521	3634	3155	4269	3790
5+5	1604	1007	--	--	--	--	1530	933	2164	1567	2557	1960	2798	2201	3432	2835	4067	3470
6+6	1925	1208	--	--	--	--	1329	612	1963	1246	2356	1639	2597	1880	3231	2514	3866	3149
7+7	2246	1410	--	--	--	--	--	--	1761	925	2154	1318	2395	1559	3029	2193	3664	2828
8+8	2567	1611	--	--	--	--	--	--	1560	604	1953	997	2194	1238	2828	1872	3463	2507

MT-76

TORQUE VALUES in "IN.LB"

SPRING RETURN 90°

DOUBLE ACTING

40 PSIG	15750
60 PSIG	23625
80 PSIG	31500
100 PSIG	39375
120 PSIG	47250

# SPRINGS	POS. 1 CLOSING TORQUE (SPRING)		POS. 2 - OPENING TORQUE									
	START	END	40 PSIG		60 PSIG		80 PSIG		100 PSIG		120 PSIG	
	START	END	START	END	START	END	START	END	START	END	START	END
1+1	2843	1784	13966	12907	21841	20782	29716	28657	37591	36532	45466	44407
2+2	5686	3569	12181	10064	20056	17939	27931	25814	35806	33689	43681	41564
3+3	8530	5353	10397	7220	18272	15095	26147	22970	34022	30845	41897	38720
4+4	11373	7137	8613	4377	16488	12252	24363	20127	32238	28002	40113	35877
5+5	14216	8922	--	--	14703	9409	22578	17284	30453	25159	38328	33034
6+6	17059	10706	--	--	12919	6566	20794	14441	28669	22316	36544	30191
7+7	19902	12490	--	--	--	--	19010	11598	26885	19473	34760	27348
8+8	22746	14275	--	--	--	--	17225	8754	25100	16629	32975	24504

