

PNEUMATIC ACTUATOR ACCESSORIES



< AVB-1000 > CE Ex II2 G/D



< AVB-1100 > CE Ex II2 G/D

Overview



Volume boosters mount between a positioner and the actuator and provide the actuator with a high air flow which corresponds exactly to the positioner signal pressure. Volume boosters can increase the speed of operation of the actuator or in some cases allow a smaller actuator to be used.

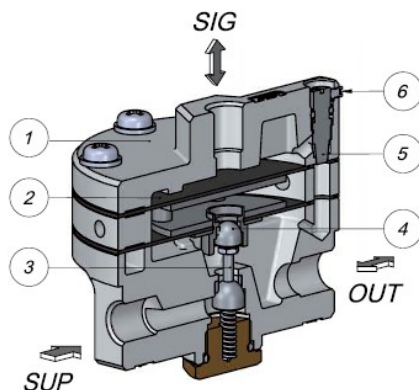
Features

- > SIL 3 rated
- > Delivers fast, high air volume to the actuator
- > Can eliminate actuator overshoot or damping
- > Tight shut off reduces air consumption
- > ATEX certified flameproof Ex d II2 G/D
- > Optional 1/4" or 3/8" air ports

Options

- > For high temperature applications –20C to +120C
- > For low temperature applications –40C to +80C

Sectional View



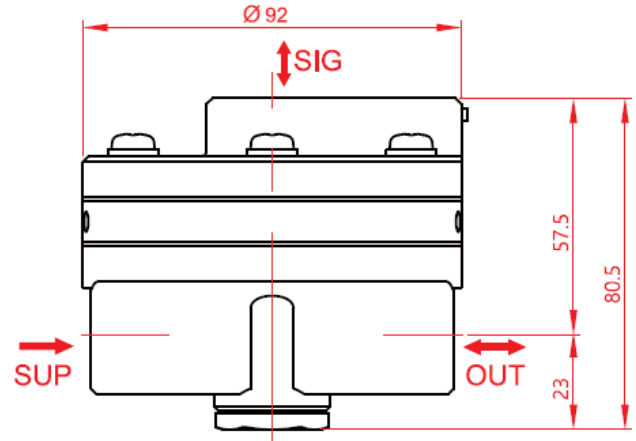
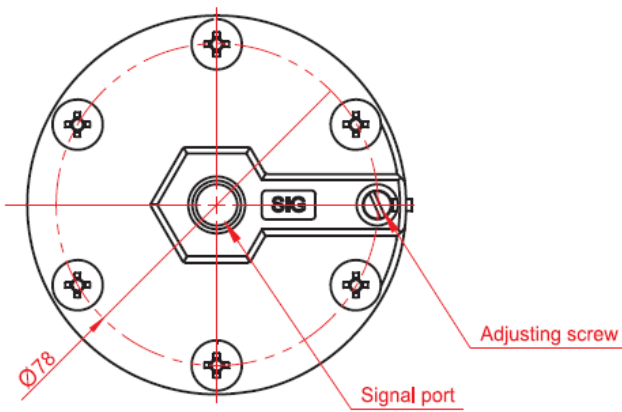
Part	Detail	AVB-1000	AVB-1100
1	Body	Aluminium	316 Stainless
2	Diaphragm	NBR	NBR
3	Inlet valve	304 Stainless	316 Stainless
4	Exhaust valve	304 Stainless	316 Stainless
5	Adjusting screw	304 Stainless	316 Stainless
6	Lock screw	304 Stainless	316 Stainless

Ordering

Body Material	Port Size	Working Temperature Range
0 : Die cast aluminium	0 : 1/4" BSP	0 : -20 to +80C [Std]
1 : 316 Stainless Steel	1 : 1/4" NPT	1 : -20 to +120C [High]
	2 : 3/8" BSP	2 : -40 to +80C [Low]
	3 : 3/8" NPT	

PNEUMATIC ACTUATOR ACCESSORIES

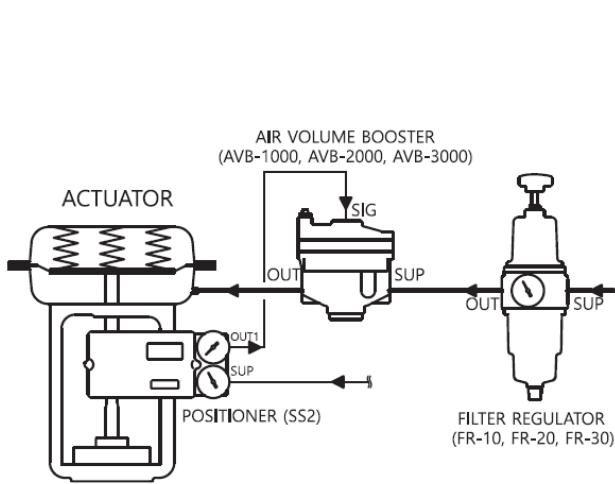
Dimensions



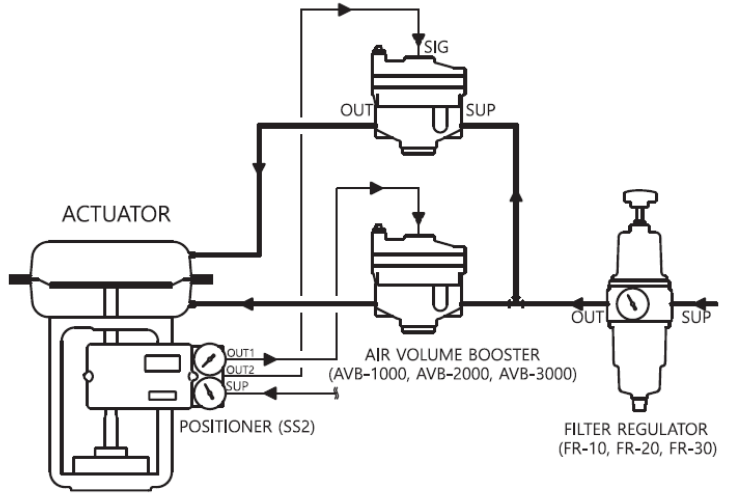
Specifications

Model	AVB-1000	AVB-1100
Supply air pressure	Max 10 bar Filtered, dry , oil-free compressed air	
Signal air pressure (positioner output)	Max 7 bar Filtered, dry , oil-free compressed air	
Pressure ratio (signal to output)	1:1	
Deadband	2% (0.016 bar)	
Hysteresis / Linearity	1% / ±1% FS	
Explosion proof class/ rating	Ex II2 G/D CE IP66	
Operating ambient temperature	[Std] -20 to +80C [High] -20 to +120C [Low] -40 to +80C	
Supply Cv / Exhaust Cv	1.2 / 1.1	
Mounting	Pipe to pipe, screwed female (PT or NPT)	
Supply / Output air connections	1/4" BSP or NPT, 3/8" BSP or NPT	1/4" or 3/8" NPT
Signal air connection	PT 1/4" or NPT 1/4"	1/4" NPT
Valve body material	Aluminium	316 Stainless steel
Diaphragm	NBR	NBR
O Rings	NBR	NBR
Weight	0.56Kg	1.2Kg

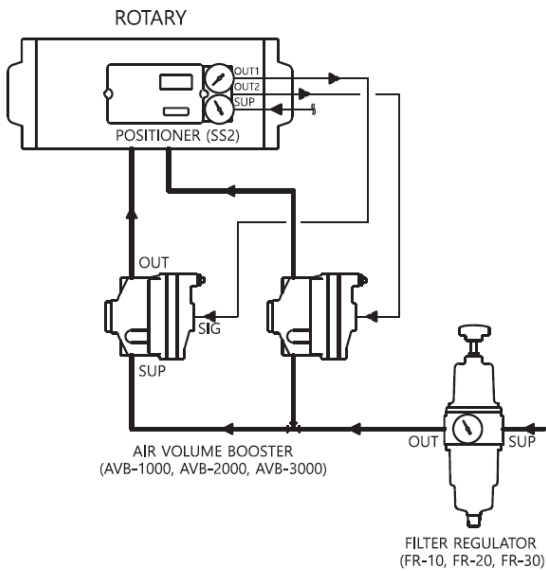
Typical Applications



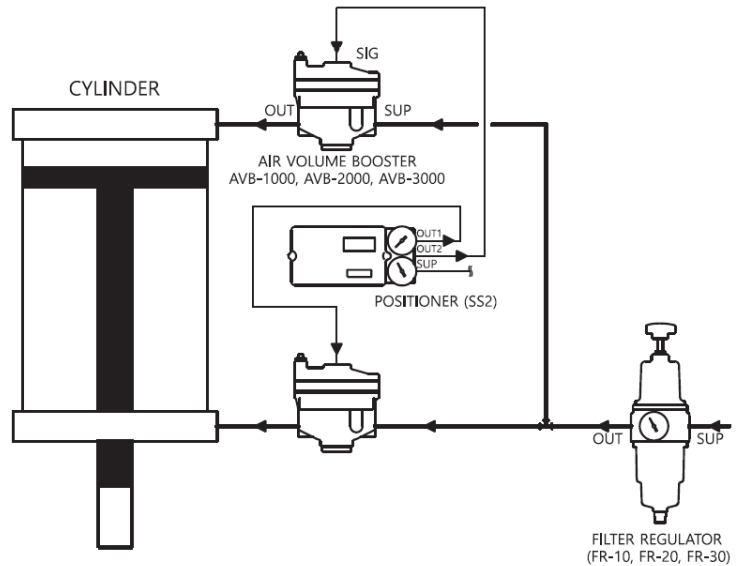
SINGLE ACTING



DOUBLE ACTING



ROTARY ACTUATOR



CYLINDER ACTUATOR