

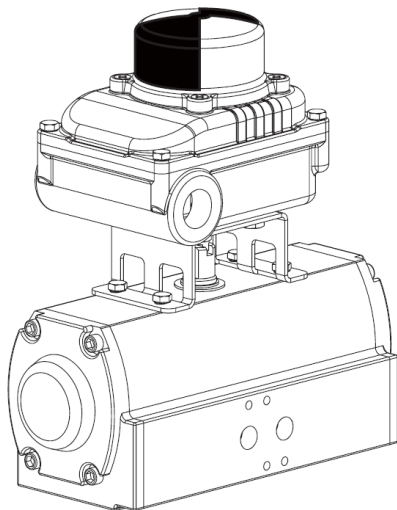
### Overview



Limit switch boxes, driven mechanically by the actuator's output shaft, provide both local visual valve (actuator) position indication and create a volt free circuit to be used for remote end of travel confirmation. There are a variety of switch options available, the most common being SPDT mechanical micro-switches, or types of proximity sensors.

### Features

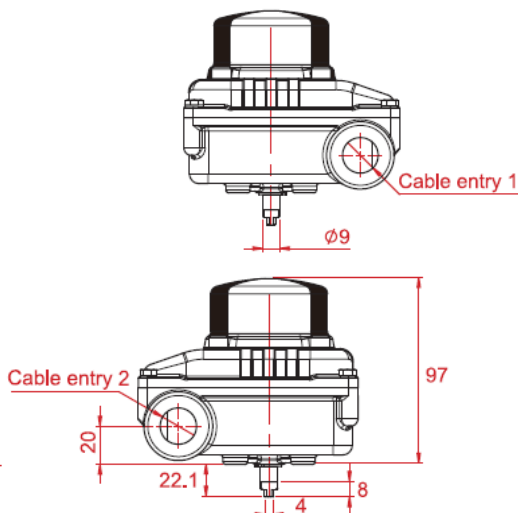
- > Weatherproof to IP67
- > Rugged die-cast aluminium housing
- > Namur interface for quick and easy installation
- > Beacon visual indicator



### Options

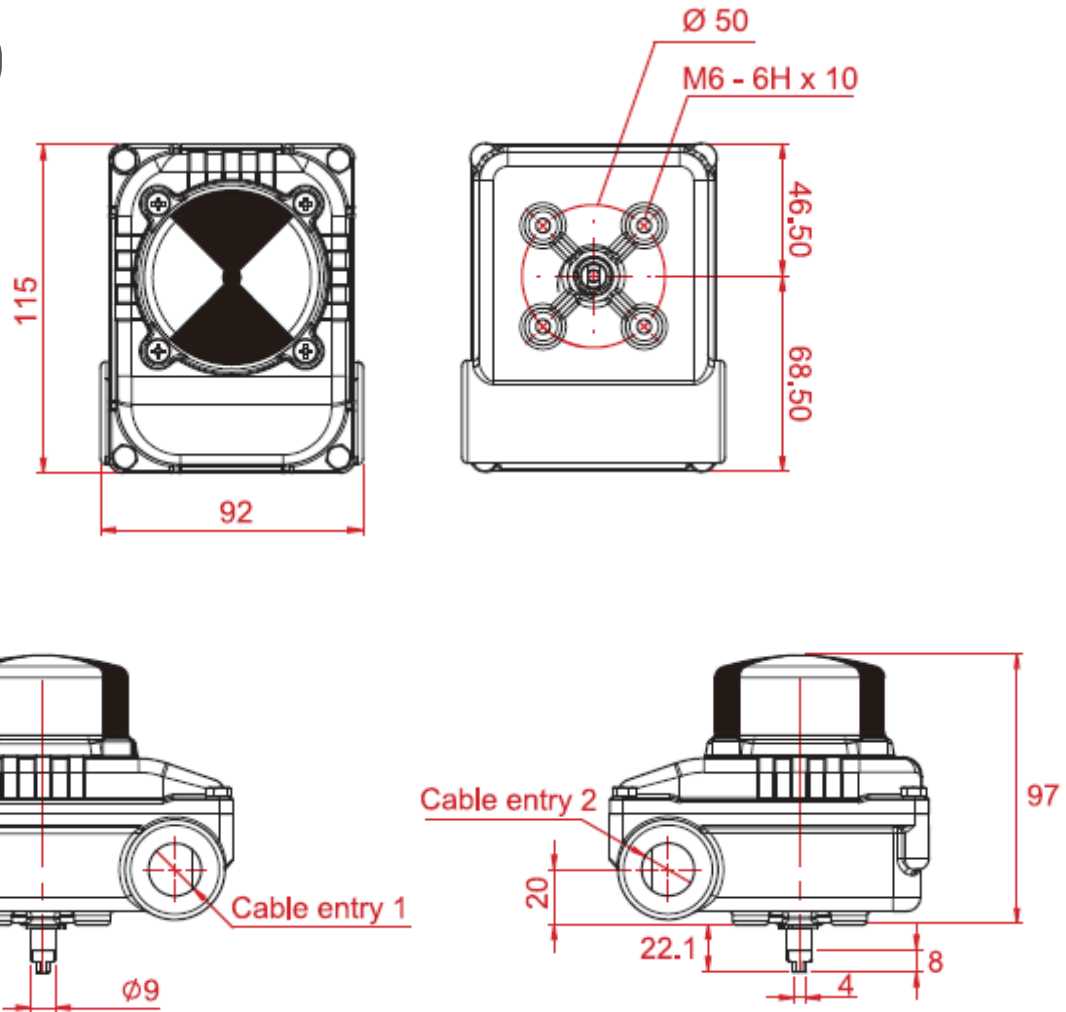
- > 2 x SPDT mechanical micro-switches
- > 4 x SPDT mechanical micro-switches
- > 2 x Proximity sensors
- > Cable entry options
- > IP68 Housing
- > Bracket 80-30-20, 80-30-30, 130-30-30, 130-30-50

### Specifications



	LSB-1000
Ingres protection	IP66/67 (IP68 option)
Switches/ sensors	See separate page
Operating temp range	-40 to +100C
Cable entries	1/2" BSP/ NPT, M20, PG13.5
Housing	Powder coated aluminium
Weight	0.8kg

**Dimensions**



**Ordering**

LSB Type	Housing	Switches	Feedback	Protection	Beacon	Connections	Entries	Drive Shaft	Mounting
LSB-1	0: Aluminum	0: 2 x SPDT Mechanical 2: 4 x SPDT Mechanical 4: 2 x NJ2-V3-N P&F 7: 2 x NBB3-V3-Z4 P&F 9: 2 x NBB2-V3-E2 P&F 8: 2 x PSN17-5D Autonics J: 2 x SPDT Honeywell Hermetically sealed sensor A: 2 x M"-25 (1A) PG C: 2 x MS20 (0.8A) PG	0: None	7: IP67 8: IP68	N: None A: Open/ Close T: T port L: L port	C: 1/2" BSP D: 1/2" NPT E: M20 x 1.5 H: PG 13.5	2: 2	N: Namur F: Fork lever Linear: B: Stroke 5-65mm C: Stroke 5-130mm D: Stroke 80-200mm	Rotary: 1: 80.30.20 2: 80.30.30 3: 130.30 x 30 4: 130.30.50 M: Universal R: Bespoke

PNEUMATIC ACTUATOR ACCESSORIES

Switch Options

Mechanical



Manufacturer	PG Standard
Switch type	SPDT (Form C)
Contacts	Silver plated
Approvals	UL, CSA
Rating:	
250VAC	16A
30VDC	10A
8VDC	16A
Working temp	-30 to +130C



Manufacturer	Honeywell
Switch type	SPDT (Form C)
Contacts	Silver or gold plated
Approvals	UL, CSA
Rating:	
125/250VAC	16A Silver
125/250VAC	0.1A Gold
8VDC	16A
Working temp	-40 to +125C



Manufacturer	Licon
Switch type	DPDT (Form CC)
Contacts	Silver plated
Approvals	UL, CSA
Rating:	
125/250VAC	10A
28VDC	10A
Working temp	-30 to +80C

Proximity



Part No/ Manufacturer	NJ2-V3-N / P&F
Switching element function	Namur NC
Nominal ratings:	
Nominal voltage	8VDC
Switching frequency	0-1000Hz
Hysteresis	0.01 - 0.1mm
Consumption	
Measuring plate not detected	>3mA
Measuring plate detected	<1mA
Working temp	-25 to +100C



Part No/ Manufacturer	NJ2(4)-12GK-SN/ P&F
Switching element function	Namur NC
Nominal ratings:	
Nominal voltage	8VDC
Switching frequency	0-2000Hz
Hysteresis	3%
Consumption	
Measuring plate not detected	>3mA
Measuring plate detected	<1mA
Working temp	-40 (50) - +100C

Magnetic



Part No/ Manufacturer	MS Series/ Power Genex
Switch type	SPDT (Form C)
Contacts	Rhodium / Tungsten
Approvals	UL, CSA
Electrical Ratings	
MS20	120VAC: 180mA, 24VDC: 830mA
MS25	120VAC: 200mA, 24VDC: 1A
MS100	220VAC: 1.5A, 120VAC: 3A, 24VDC: 2A
Working temp	-40 to +130C



Part No/ Manufacturer	ESI-V3-CR/ Euroswitch
Switch type	SPDT (Form C)
Contacts	Rhodium
Approvals	ATEX, Ex ia IIC T6
Electrical Ratings	
120VAC / 24VDC	180mA / 830mA
Ex	Ui = 30V, Li = 250mA, Pi = 1.3W
Working temp	-20 to +800C