

PNEUMATIC ACTUATOR ACCESSORIES



< With beacon indicator >



< With bottom indicator >



< With stainless steel 316 housing >

Overview

Limit switch boxes, driven mechanically by the actuator’s output shaft, provide both local visual valve (actuator) position indication and create a volt free circuit to be used for remote end of travel confirmation. Zone 1 switch boxes have a robust housing capable of containing an explosion within the box, should one occur. The LSB-3000 is ATEX approved for use within the EU, and IECEx for outside the EU.

Features

- > Flameproof certified
- > Rugged die-cast aluminium or 316 stainless steel housing
- > Namur interface for quick and easy installation
- > Beacon visual indicator with options
- > Many switch & sensor options

Options

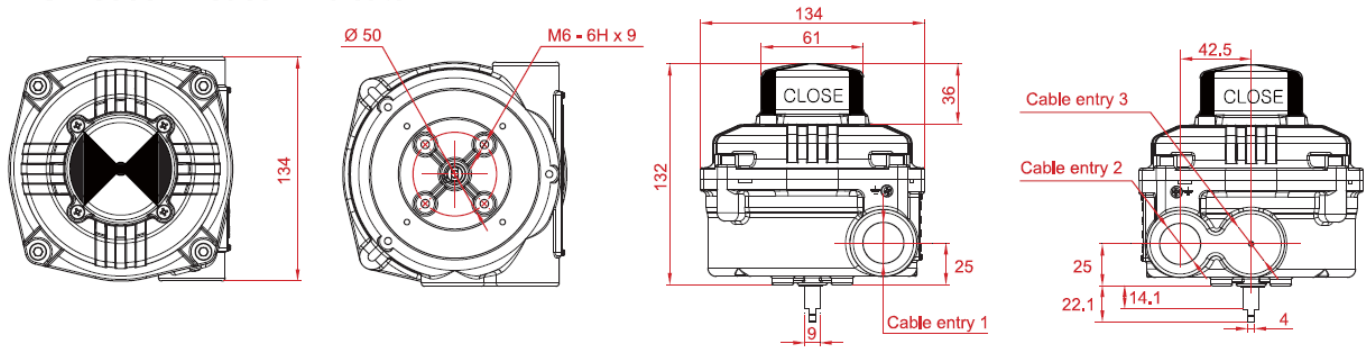
- > 4 x SPDT mechanical micro-switches
- > 4 x Proximity sensors
- > 4 x Hermetically sealed magnetic sensors
- > 4-20mA Feedback position transmitter
- > IP68 Housing
- > Bracket 80-30-20, 80-30-30, 130-30-30, 130-30-50

Specifications

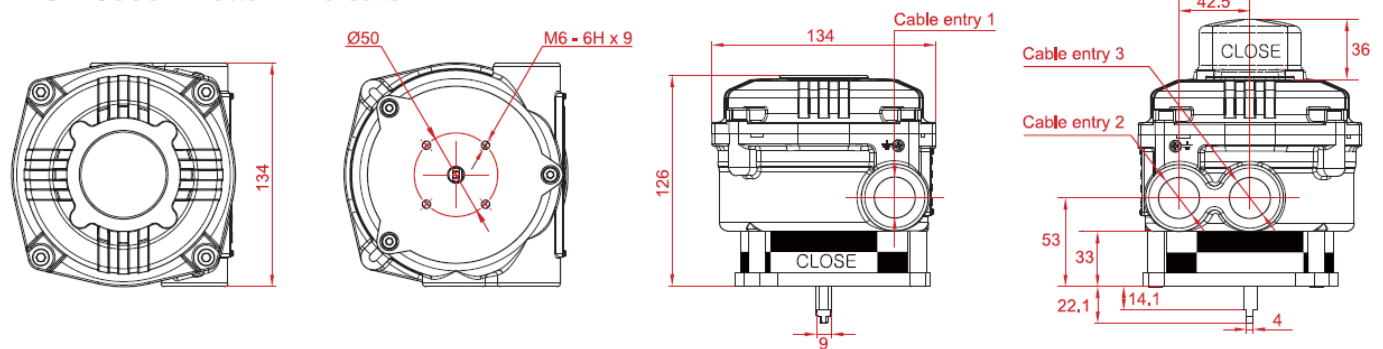
	LSB-3000	LSB-3100
Ingres protection	IP66/67 (IP68 option)	
Switches/ sensors	See separate page	
Operating temp range	-40 to +110C (Respect Ex T4, T5 & T6 temperatures)	
Cable entries	1/2" BSP/ NPT, M20, PG13.5	NPT 1/2" or 3/4"
Housing	Powder coated aluminium	316/ 316L Stainless Steel
Weight	2.0kg	4.0Kg

Dimensions

< LSB-3000 - Beacon Indicator >



< LSB-3000 - Bottom Indicator >



Ordering

LSB Type	Housing	Switches	Feedback	Protection	Beacon	Connections	Entries	Drive Shaft	Mounting
LSB-3	0: Aluminum	0: 2 x SPDT Mechanical	0: None	7: IP67	N: None	C: 1/2" BSP	2: 2	N: Namur	Rotary:
	1: 316 SS	2: 4 x SPDT Mechanical							
	2: 316L SS	3: 2 x DPDT Mechanical			T: T port	E: M20 x 1.5		Linear:	2: 80.30.30
		4: 2 x NJ2-V3-N P&F			L: L port	H: PG 13.5		B: Stroke	3: 130.30 x 30
		5: 4 x NJ2-V3-N P&F						5-65mm	4: 130.30.50
		8: 2 PSN17-5D PNP or NPN						C: Stroke	
		Many others - see full list on the last page						5-130mm	
								D: Stroke	M: Universal
								80-200mm	R: Bespoke

PNEUMATIC ACTUATOR ACCESSORIES

Switch Options

Mechanical



Manufacturer	PG Standard
Switch type	SPDT (Form C)
Contacts	Silver plated
Approvals	UL, CSA
Rating:	
250VAC	16A
30VDC	10A
8VDC	16A
Working temp	-30 to +130C



Manufacturer	Honeywell
Switch type	SPDT (Form C)
Contacts	Silver or gold plated
Approvals	UL, CSA
Rating:	
125/250VAC	16A Silver
125/250VAC	0.1A Gold
8VDC	16A
Working temp	-40 to +125C



Manufacturer	Licon
Switch type	DPDT (Form CC)
Contacts	Silver plated
Approvals	UL, CSA
Rating:	
125/250VAC	10A
28VDC	10A
Working temp	-30 to +80C

Proximity



Part No/ Manufacturer	NJ2-V3-N / P&F
Switching element function	Namur NC
Nominal ratings:	
Nominal voltage	8VDC
Switching frequency	0-1000Hz
Hysteresis	0.01 - 0.1mm
Consumption	
Measuring plate not detected	>3mA
Measuring plate detected	<1mA
Working temp	-25 to +100C



Part No/ Manufacturer	NJ2(4)-12GK-SN/ P&F
Switching element function	Namur NC
Nominal ratings:	
Nominal voltage	8VDC
Switching frequency	0-2000Hz
Hysteresis	3%
Consumption	
Measuring plate not detected	>3mA
Measuring plate detected	<1mA
Working temp	-40 (50) - +100C

Magnetic



Part No/ Manufacturer	MS Series/ Power Genex
Switch type	SPDT (Form C)
Contacts	Rhodium / Tungsten
Approvals	UL, CSA
Electrical Ratings	
MS20	120VAC: 180mA, 24VDC: 830mA
MS25	120VAC: 200mA, 24VDC: 1A
MS100	220VAC: 1.5A, 120VAC: 3A, 24VDC: 2A
Working temp	-40 to +130C



Part No/ Manufacturer	ESI-V3-CR/ Euroswitch
Switch type	SPDT (Form C)
Contacts	Rhodium
Approvals	ATEX, Ex ia IIC T6
Electrical Ratings	
120VAC / 24VDC	180mA / 830mA
Ex	Ui = 30V, Li = 250mA, Pi = 1.3W
Working temp	-20 to +800C

Switches & Sensors - Full List

LSB Type	Housing	Switches	Feedback	Protection	Beacon	Connections	Entries	Drive Shaft	Mounting
LSB-3		0: 2 x SPDT Mechanical 2: 4 x SPDT Mechanical 3: 2 x DPDT Mechanical 4: 2 x NJ2-V3-N Proximity P&F 5: 4 x NJ2-V3-N Proximity P&F 6: 2 x NJ12/14-12GK-SN Proximity P&F 7: 2 x NBB3-V3-Z4 Proximity P&F 9: 2 x NBB2-V3-E2 Proximity P&F S: 2 x NJ2-12GM40-E2 Proximity P&F R: 2 x NCN4-V3-NO Proximity P&F T: 2 x SJ3 3.5-S1N Proximity P&F 8: 2 x PSN17-5D (PNP or NPN) Proximity Autonics N: 2 x D2vw-5L1-1M Proximity Hermetically sealed proximity sensors (A @24DC) A: 2 x MS-25 (1A) Power Genex B: 4 x MS-25 (1A) Power Genex C: 2 x MS-20 (0.8A) Power Genex D: 4 x MS-20 (0.8A) Power Genex E: 2 x MS100 (2A) Power Genex F: 4 x MS100 (2A) Power Genex G: 2 x ESI-V3-CR Euroswitch H: 4 x ESI-V3-CR Euroswitch I: 2 x MONAS I (2A) J: 2 x SPDT Silver Honeywell K: 2 x SPDT Silver Honeywell L: 2 s SPDT Gold Honeywell M: 4 x SPDT Gold Honeywell Others by request	See page 2						