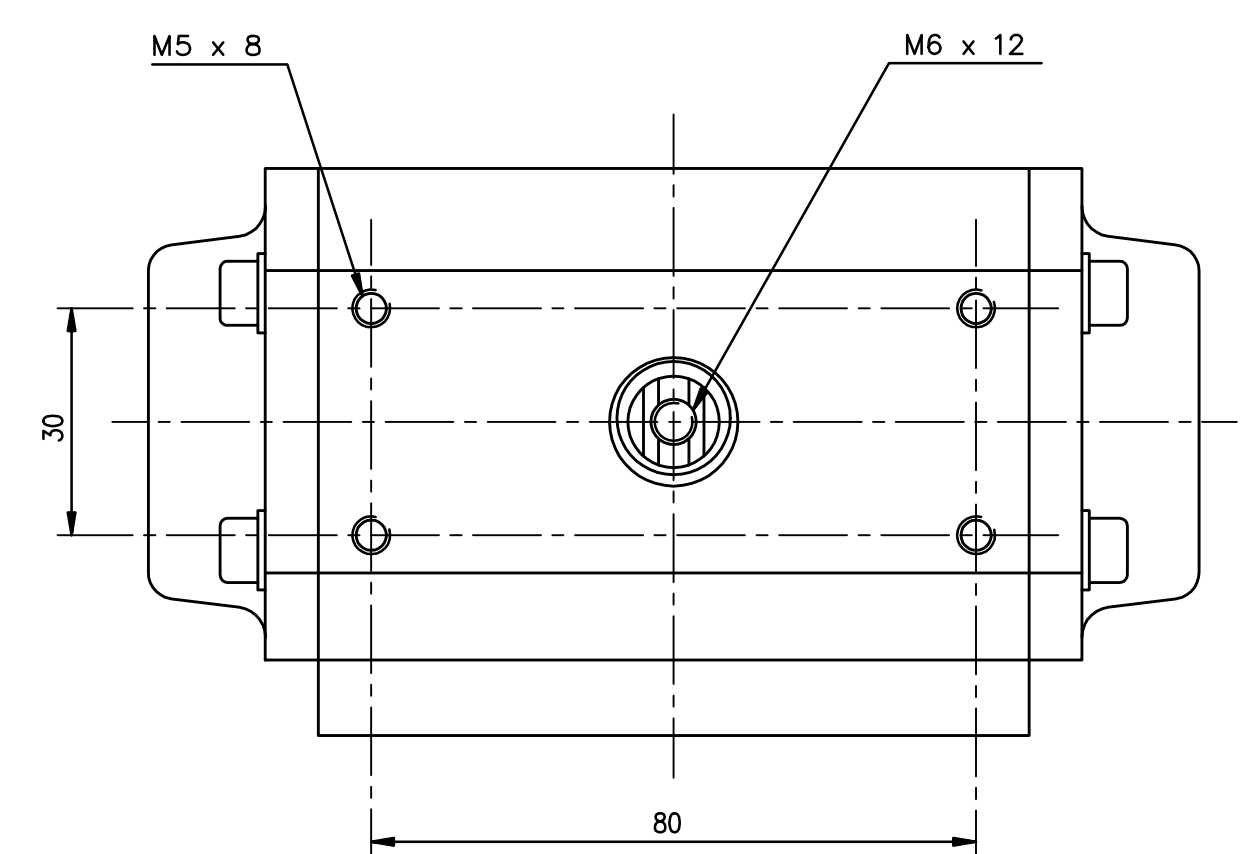


IF IN DOUBT ASK!

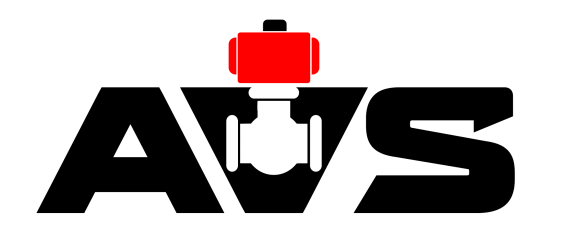
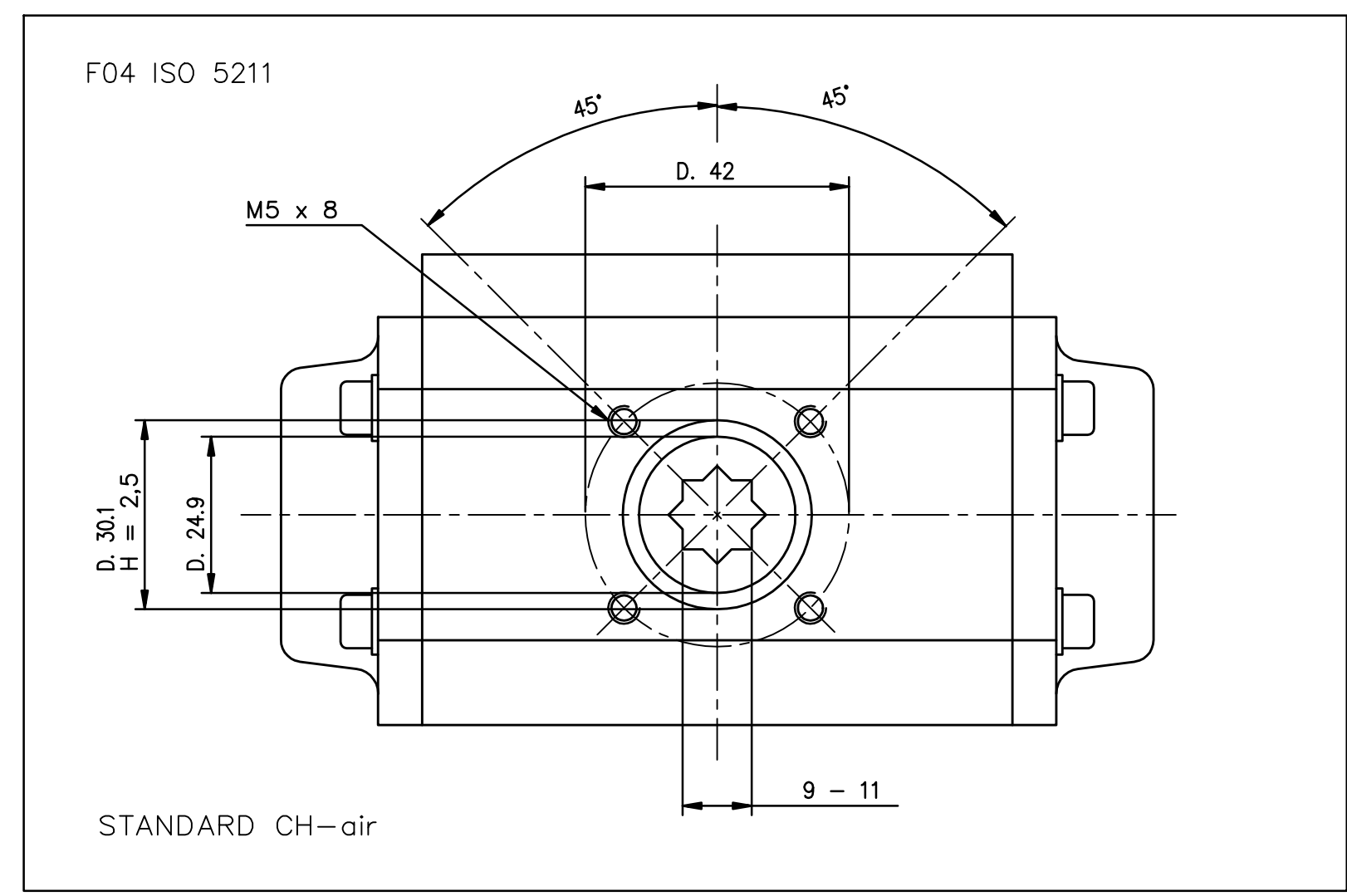
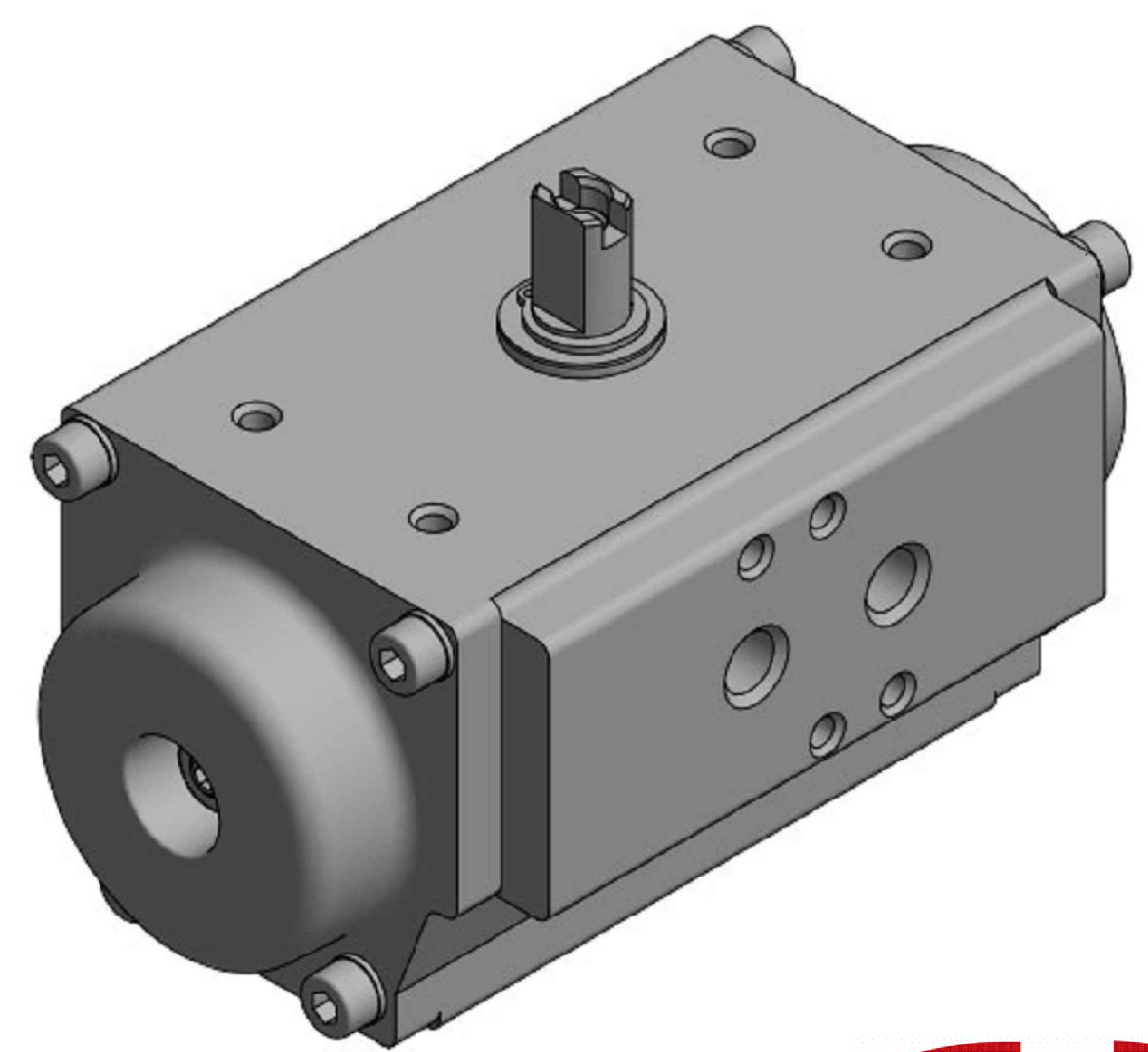
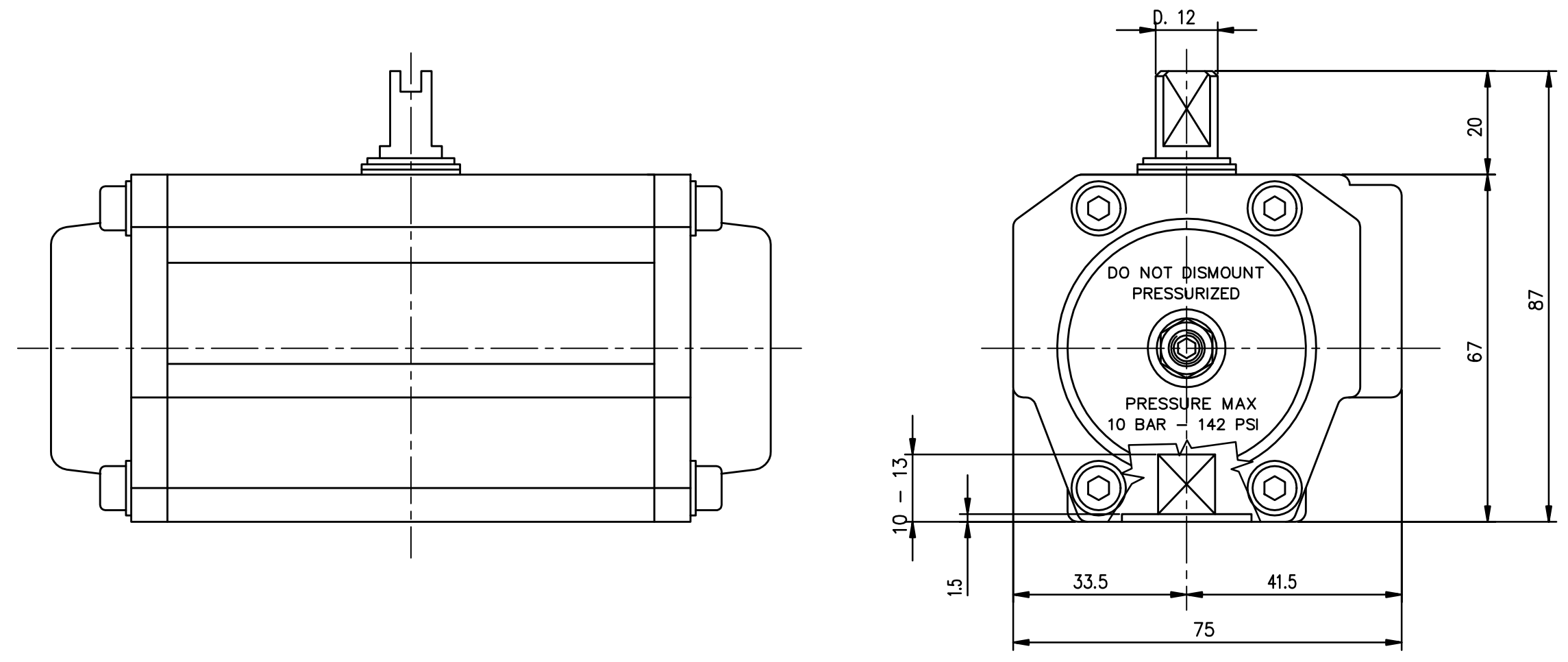
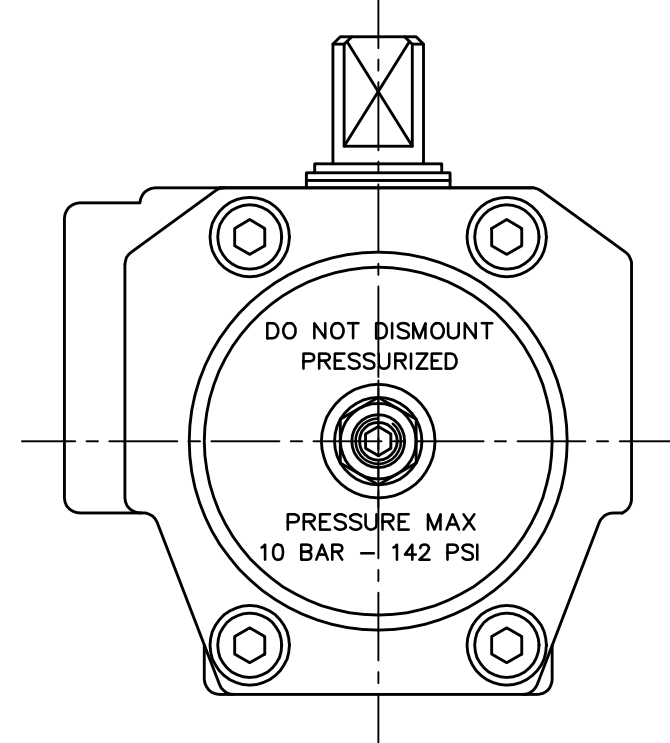
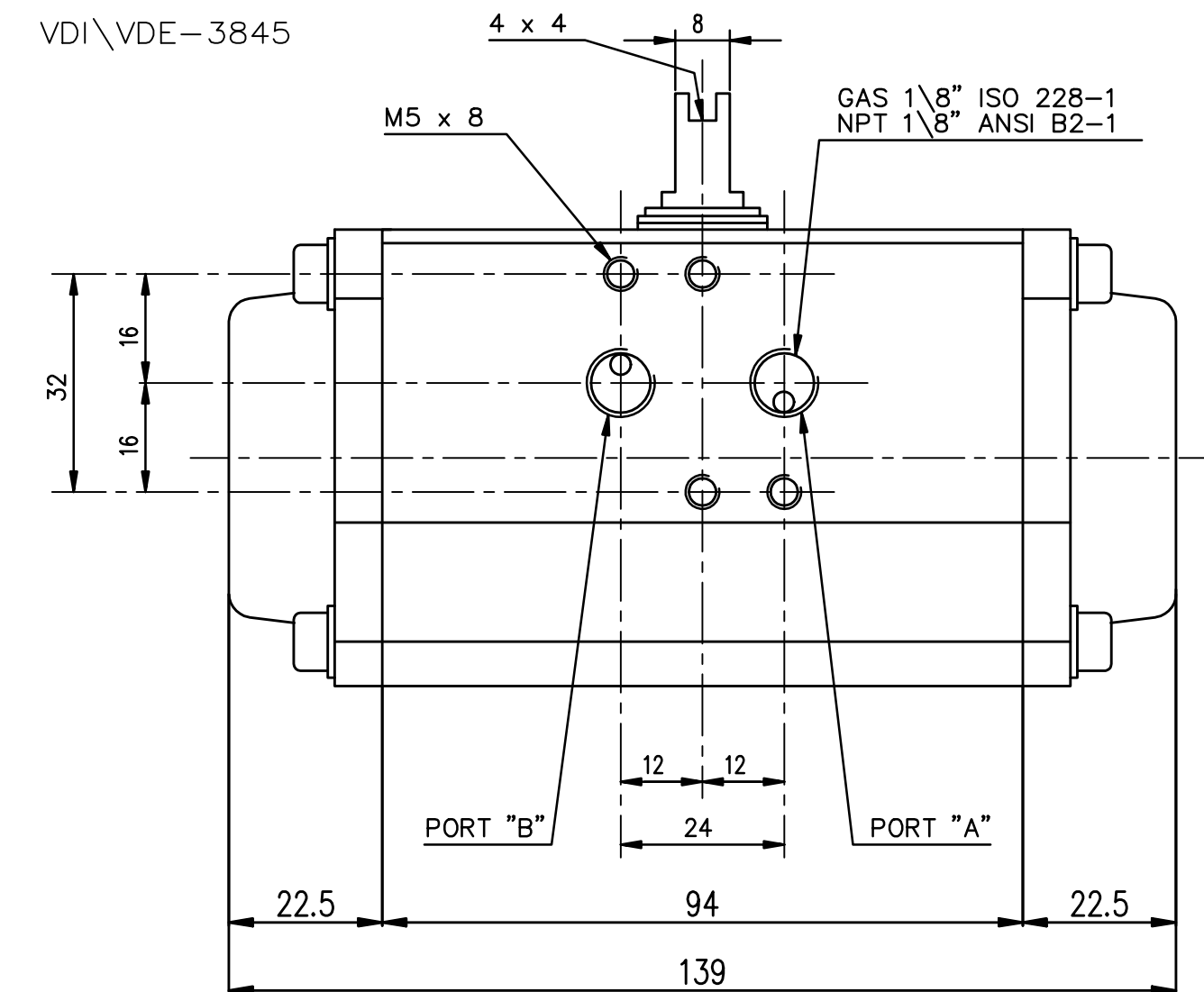
DO NOT SCALE PRINT!

DRAWING TO BS 8888

VDI\VDE-3845



VDI\VDE-3845



THIS DRAWING IS CONFIDENTIAL AND IS NOT TO BE REPRODUCED WITHOUT THE WRITTEN CONSENT OF Actuated Valve Supplies UK Limited

TITLE CH-air MODEL A-050 PNEUMATIC ACTUATOR - ALUMINIUM

| | |
|---------------------|--------------|
| STOCK CODE | DIM ARE mm |
| CH-AIR-A-050-CAD | SCALE 1:1 |
| APPROVED BY | DATE |
| CH-AIR-050-DWG1-CAD | 30.08.17 |
| DRAWING NUMBER | SHEET 1 OF 2 |

| | | | | | |
|-------------|------------|----------|-------|------------|----------|
| JRM | HMM | SBW | NEW | | 30.08.17 |
| APPROVED BY | CHECKED BY | DRAWN BY | ISSUE | CHANGE NO. | DATE |