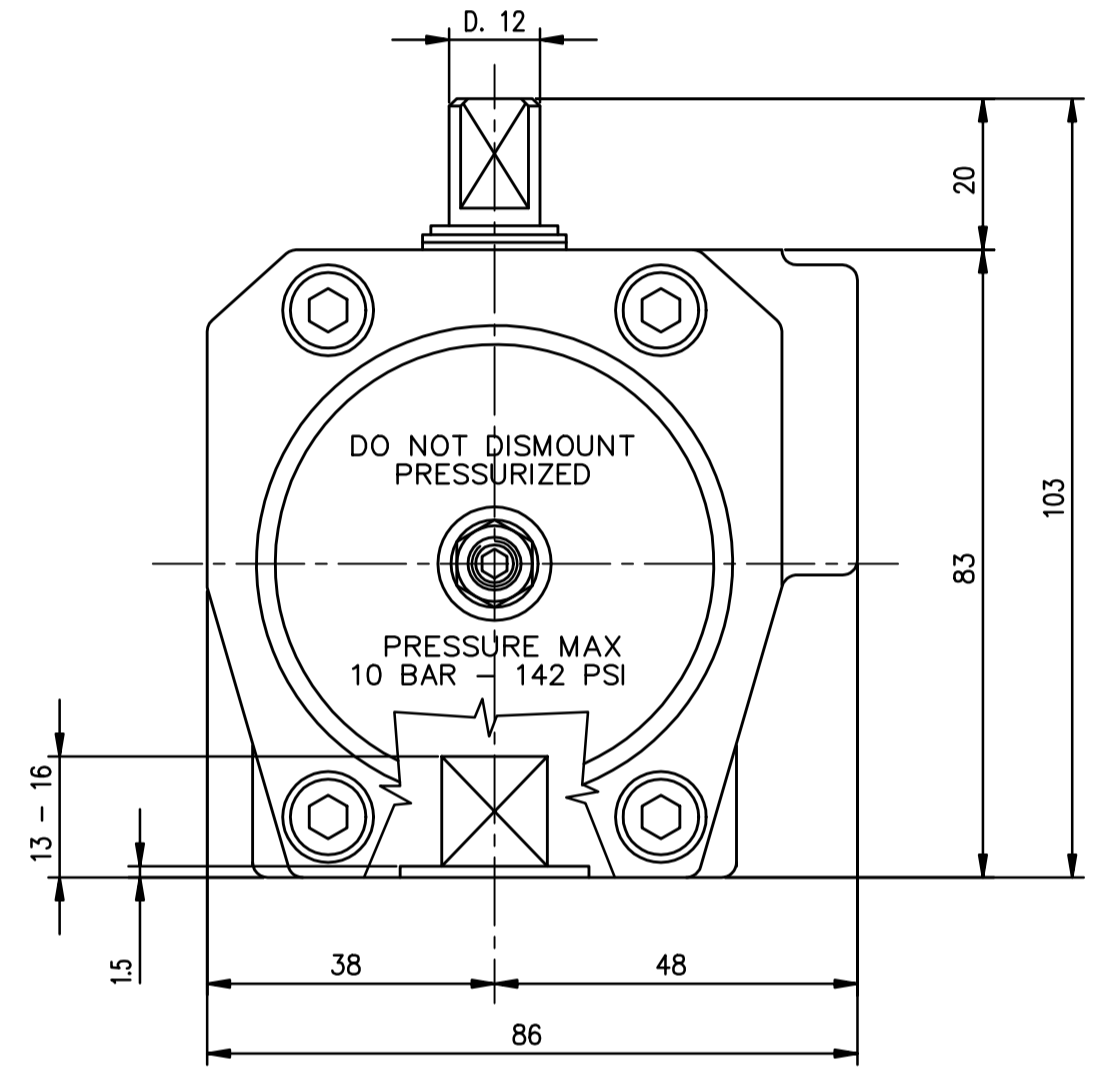
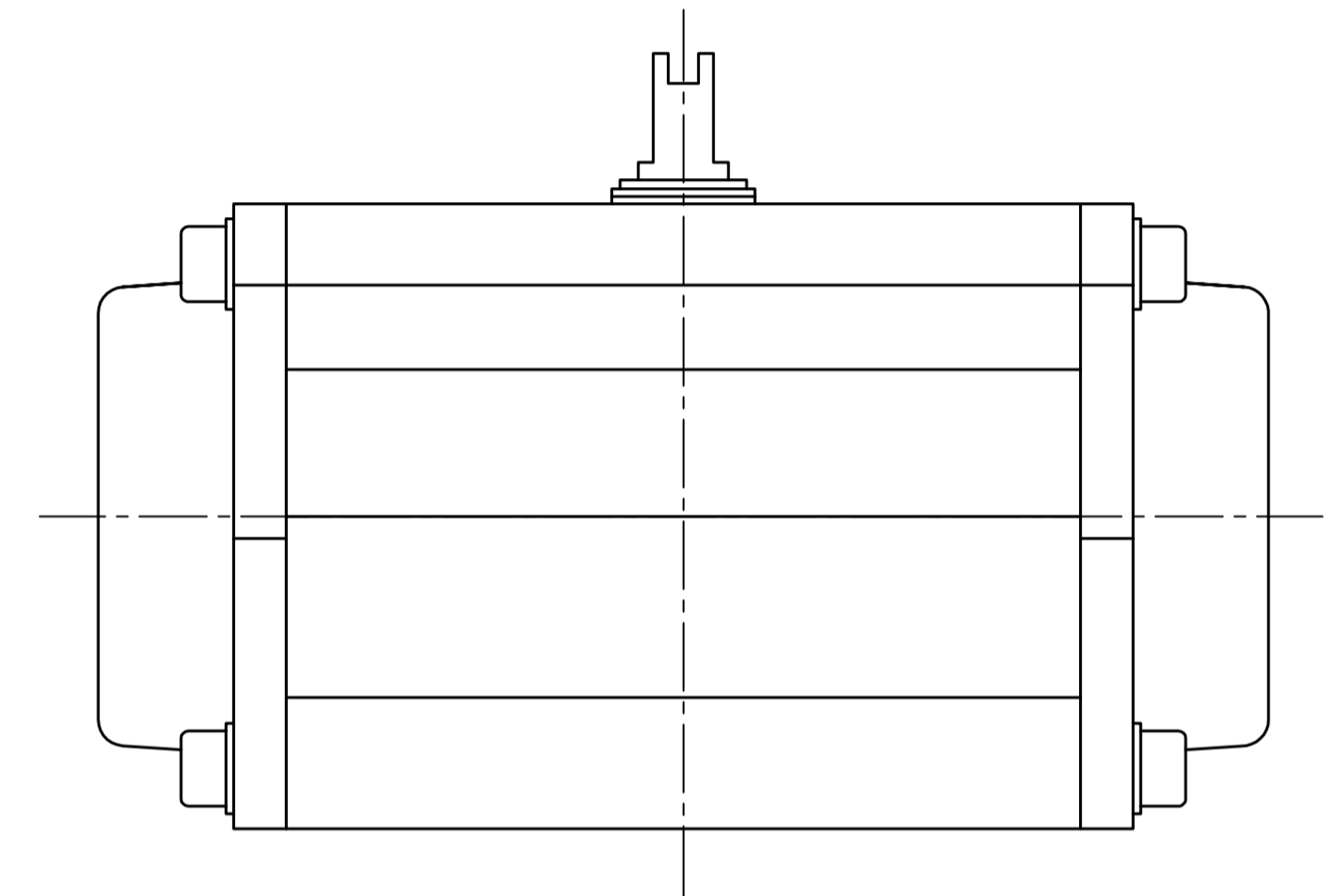
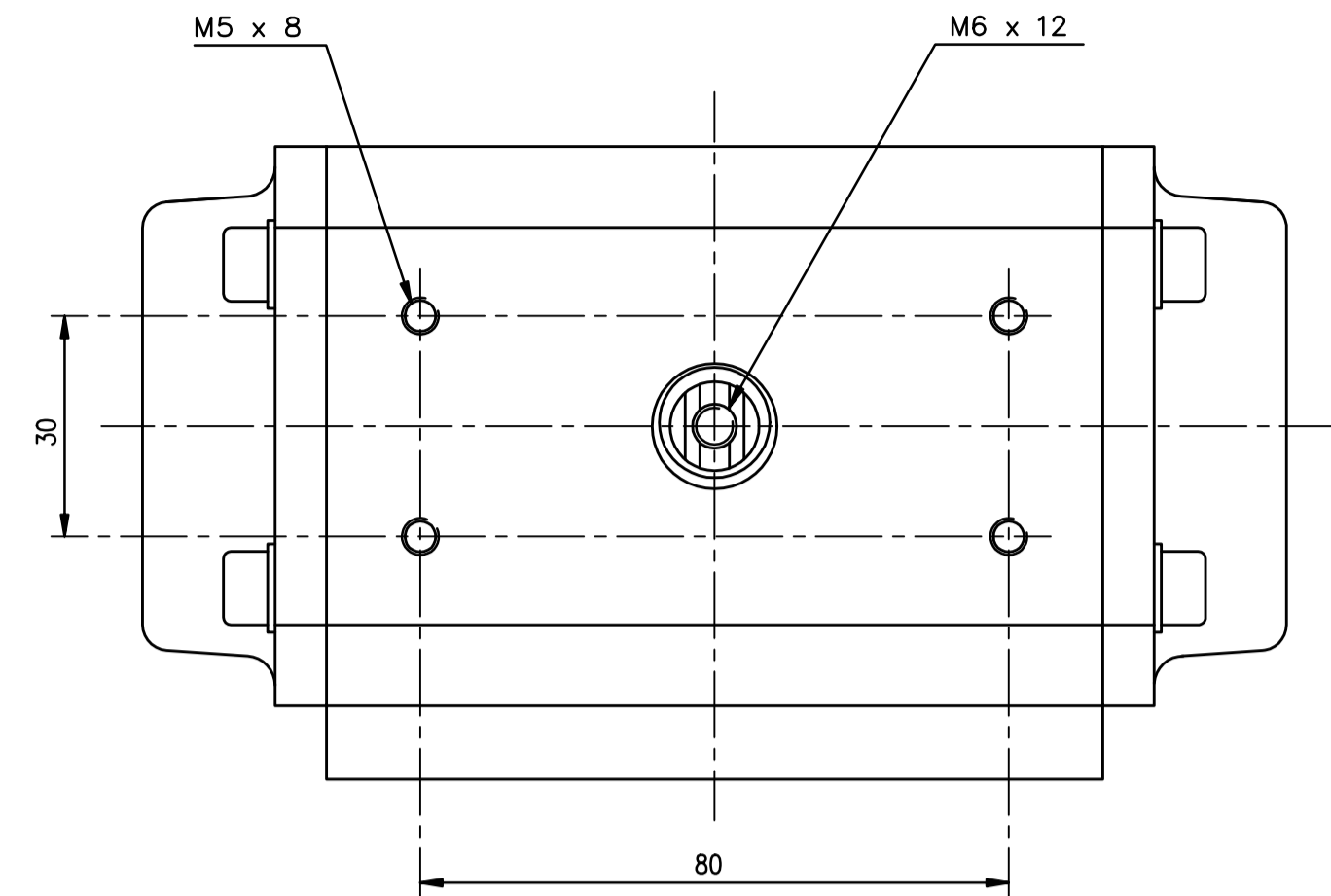


IF IN DOUBT ASK!

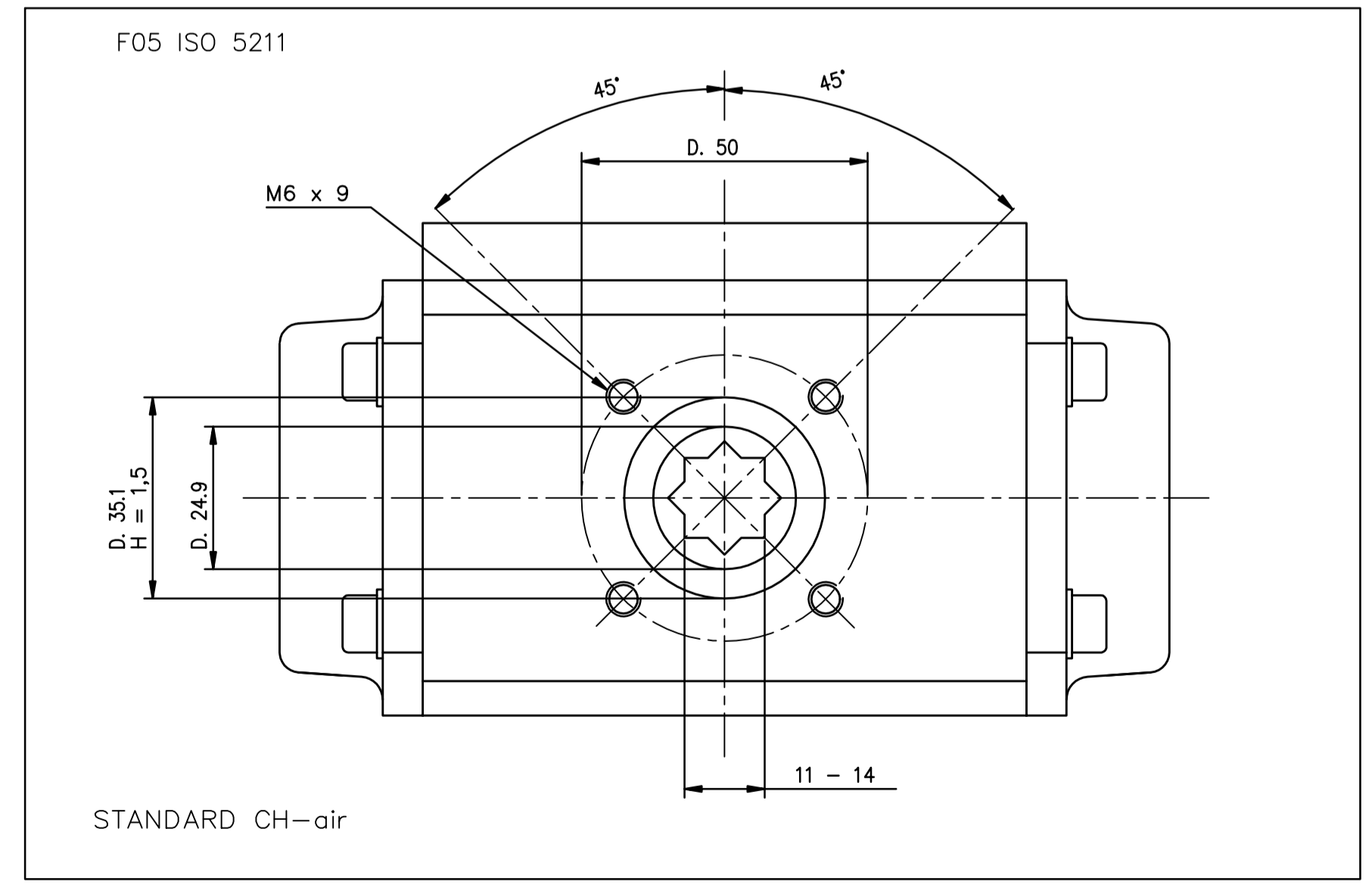
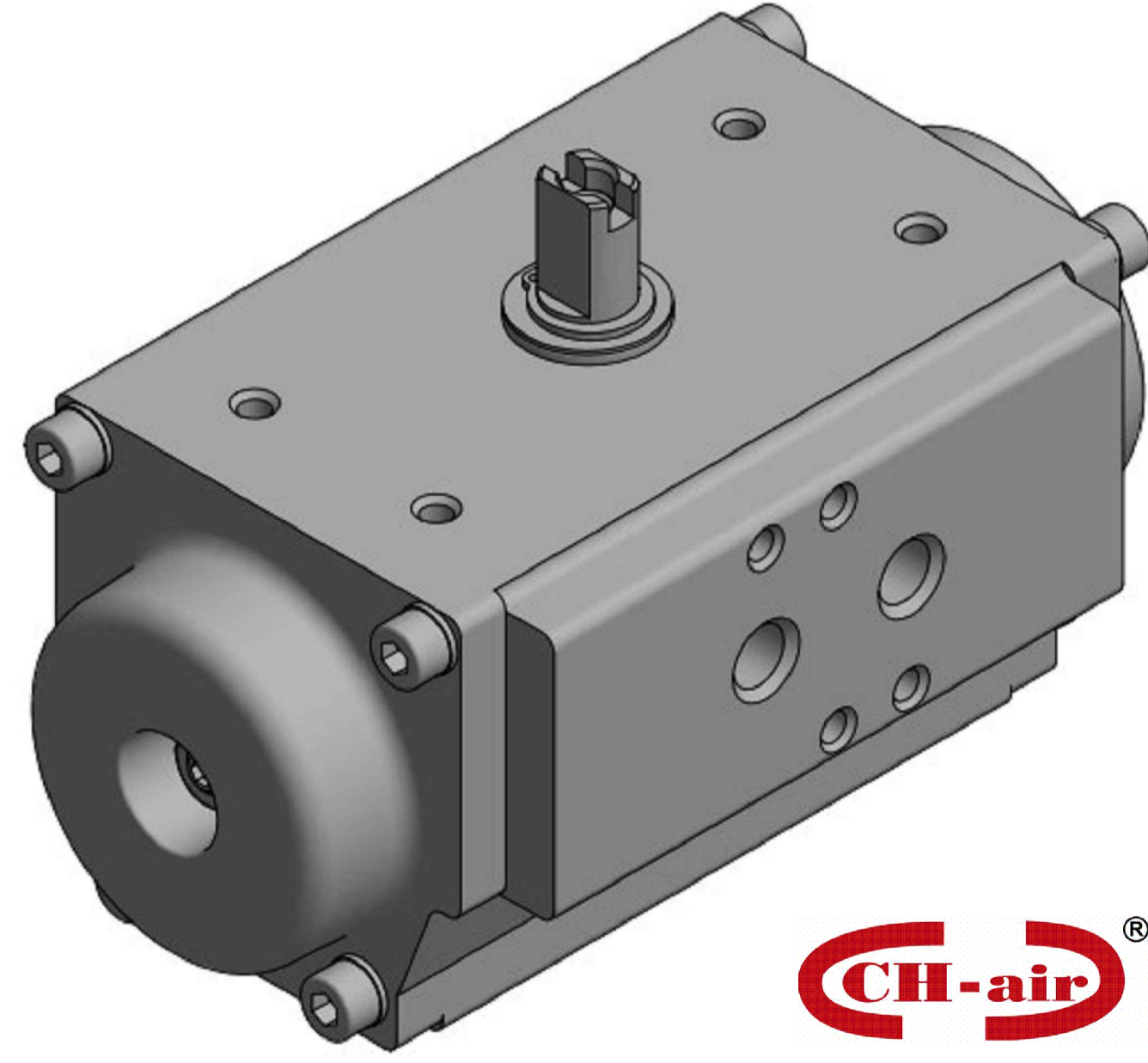
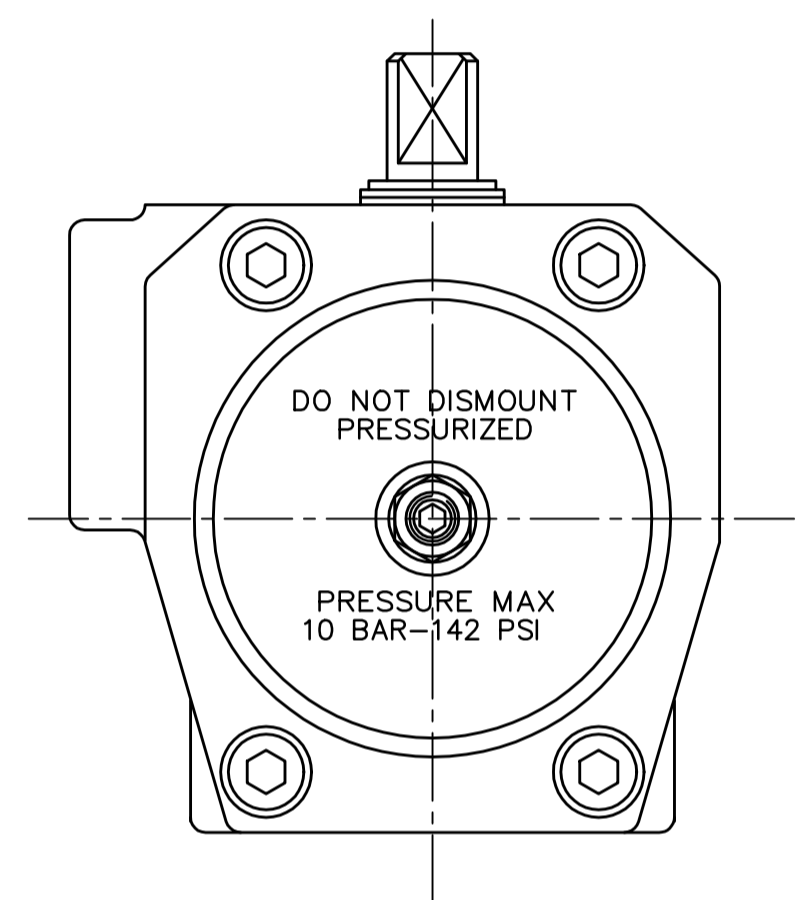
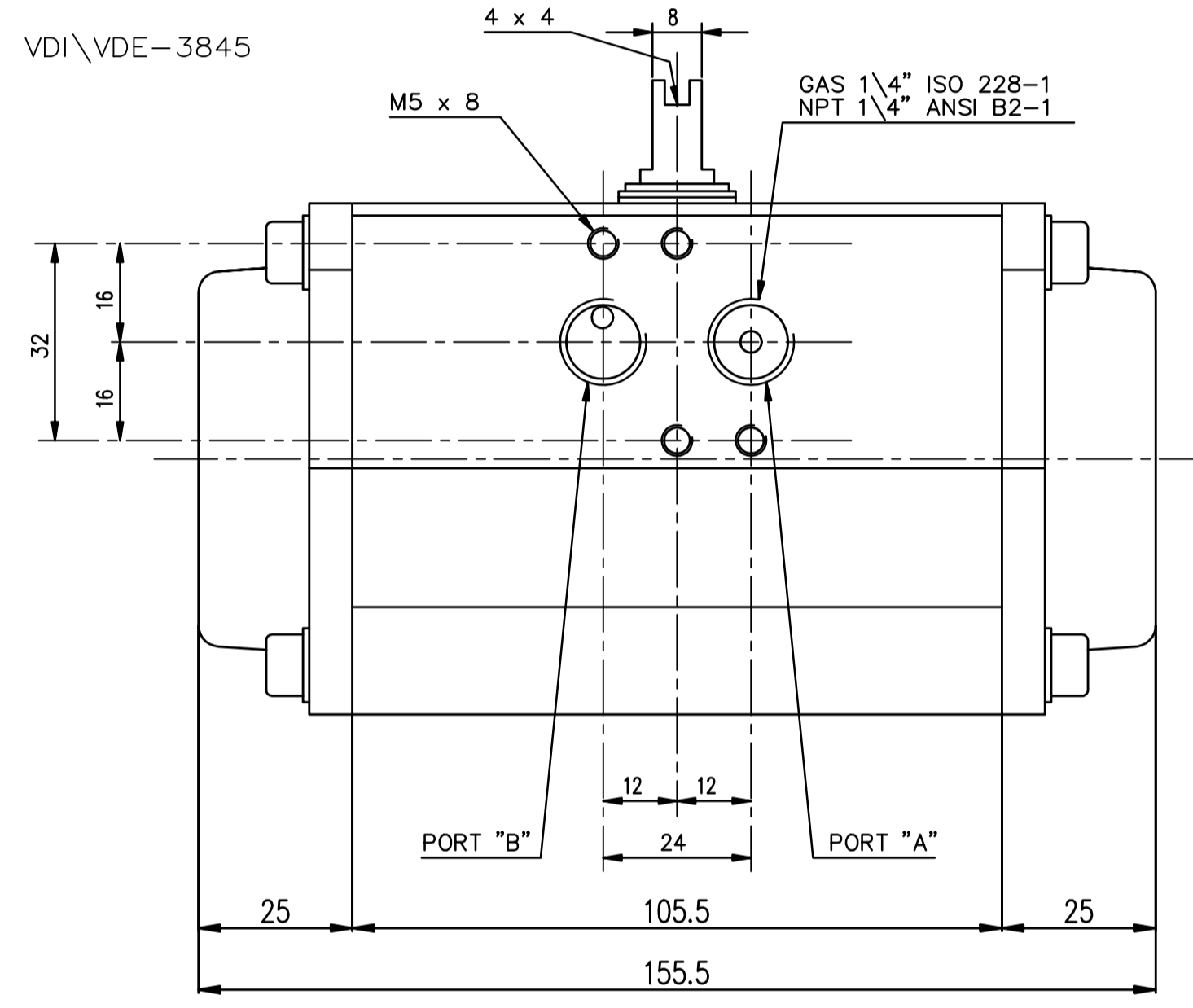
DO NOT SCALE PRINT!

DRAWING TO BS 8888

VDI\VDE-3845



VDI\VDE-3845



STANDARD CH-air

<small>THIS DRAWING IS CONFIDENTIAL AND IS NOT TO BE REPRODUCED WITHOUT THE WRITTEN CONSENT OF Actuated Valve Supplies Limited</small>						
TITLE CH-air MODEL A-063 PNEUMATIC ACTUATOR - ALUMINIUM						
STOCK CODE CH-AIR-A-063-CAD				DIM ARE mm		
SCALE 1:1				DRAWING NUMBER CH-AIR-A-063-DWG1-CAD		
SHEET 1 OF 2				DATE 30.08.17		

JRM	HMM	SBW	NEW		30.08.17
APPROVED BY	CHECKED BY	DRAWN BY	ISSUE	CHANGE NO.	DATE