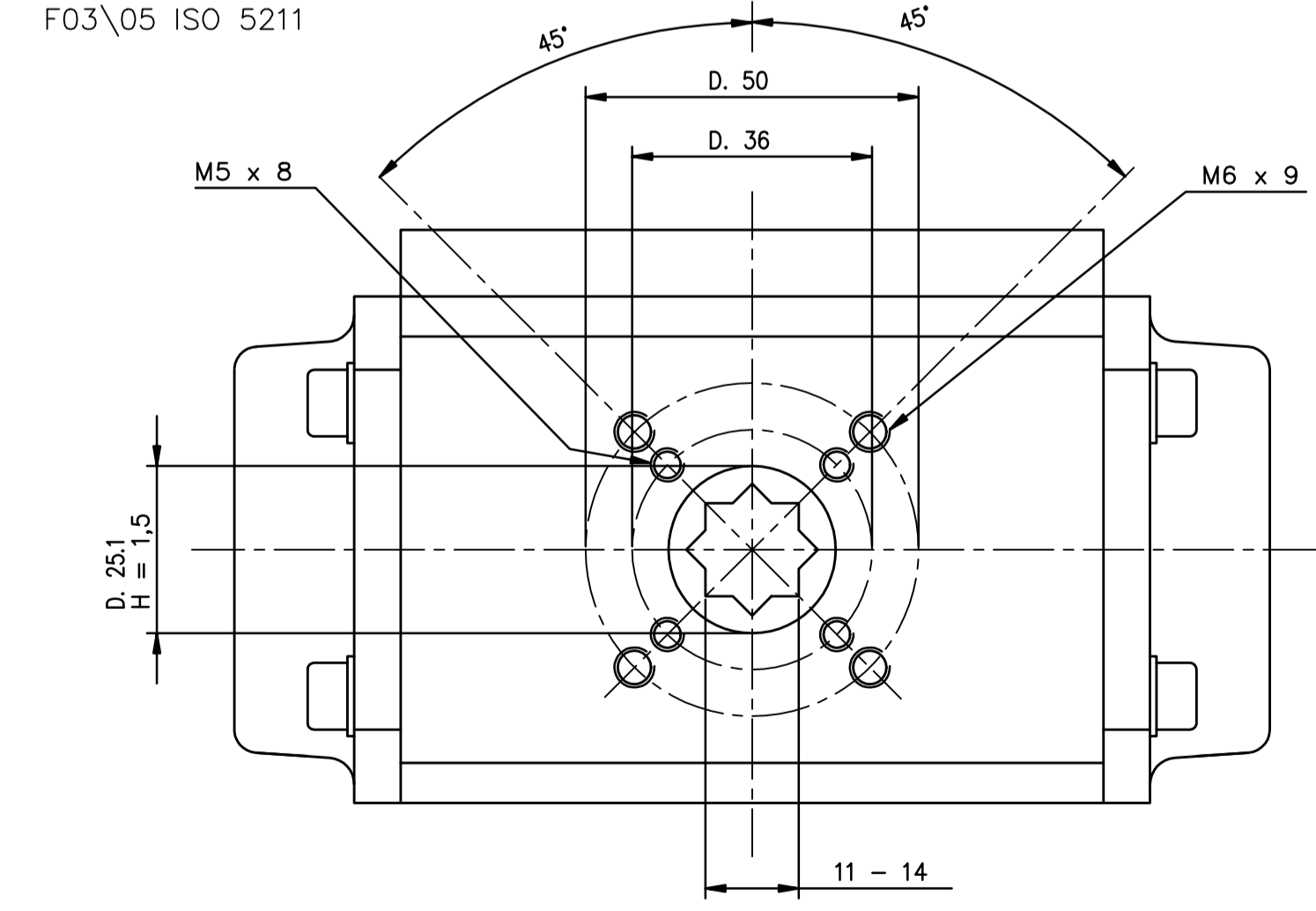
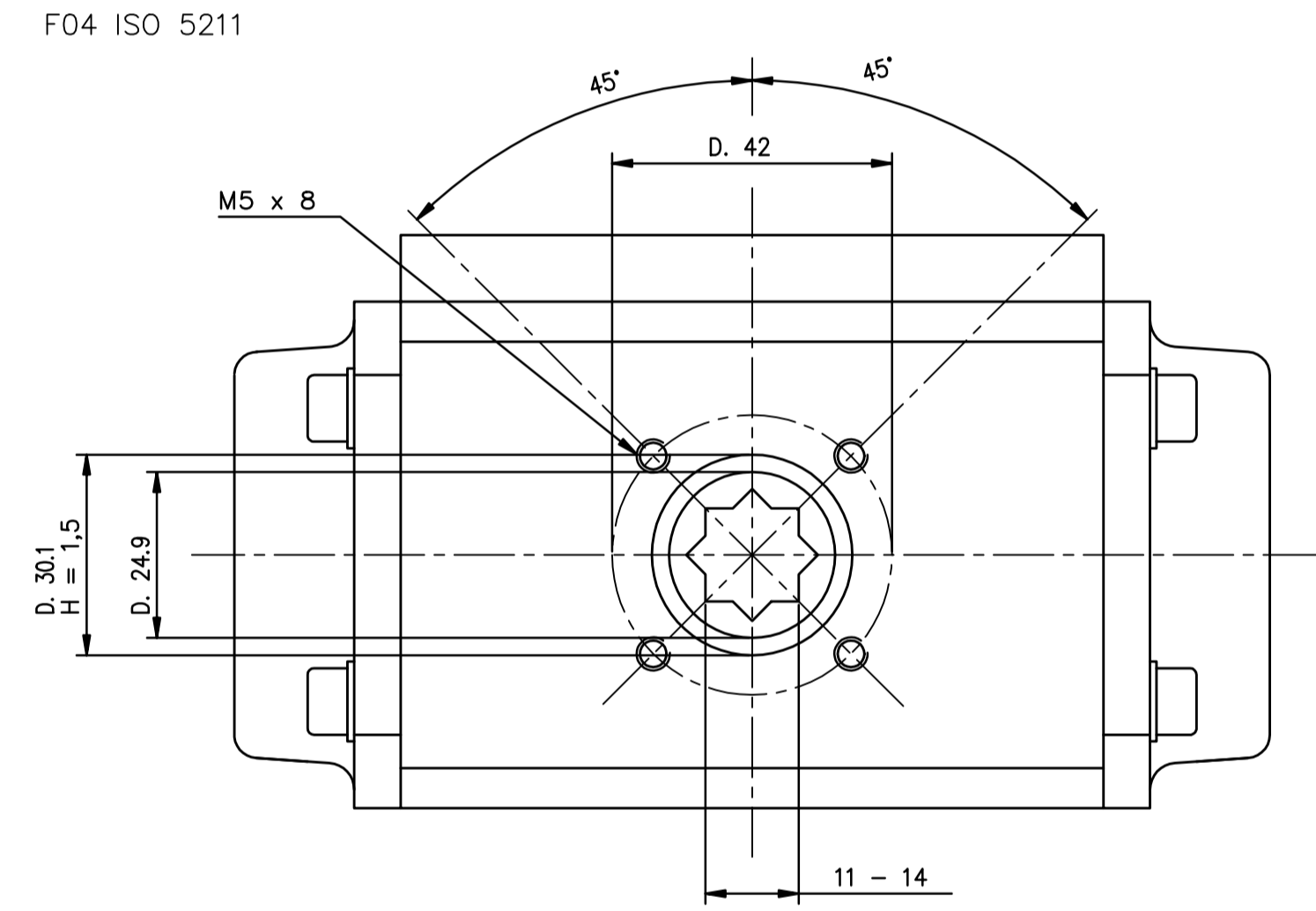
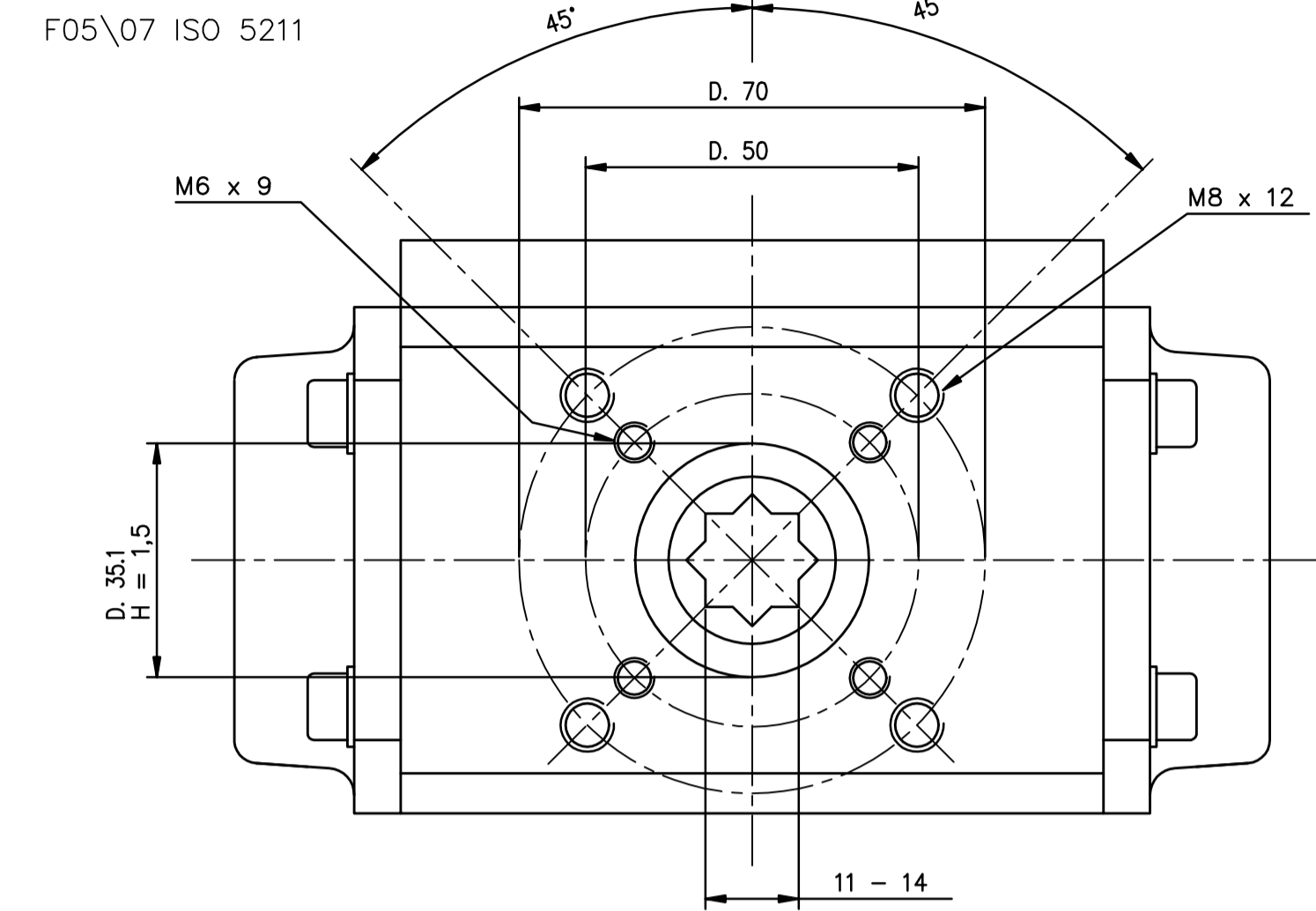


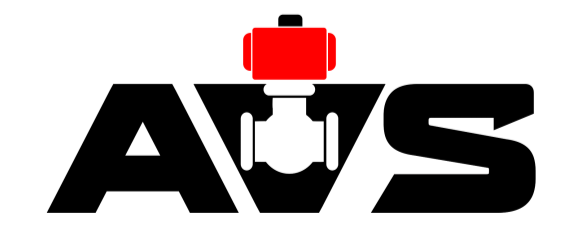
IF IN DOUBT ASK!

DO NOT SCALE PRINT!

DRAWING TO BS 8888



ISO5211 - DIN3337 MOUNTING OPTIONS



THIS DRAWING IS CONFIDENTIAL AND IS NOT TO BE REPRODUCED WITHOUT THE WRITTEN CONSENT OF Actuated Valve Supplies Limited

TITLE CH-air MODEL A-063 PNEUMATIC ACTUATOR - ALUMINIUM

STOCK CODE CH-AIR-A-063-CAD DIM ARE mm

SCALE 1:1

CH-AIR-A-063-DWG2-CAD

DRAWING NUMBER SHEET 2 OF 2

|             |            |          |       |            |          |
|-------------|------------|----------|-------|------------|----------|
| JRM         | HMM        | SBW      | NEW   |            | 30.08.17 |
| APPROVED BY | CHECKED BY | DRAWN BY | ISSUE | CHANGE NO. | DATE     |

8  
7  
6  
5  
4  
3  
2  
1  
A1