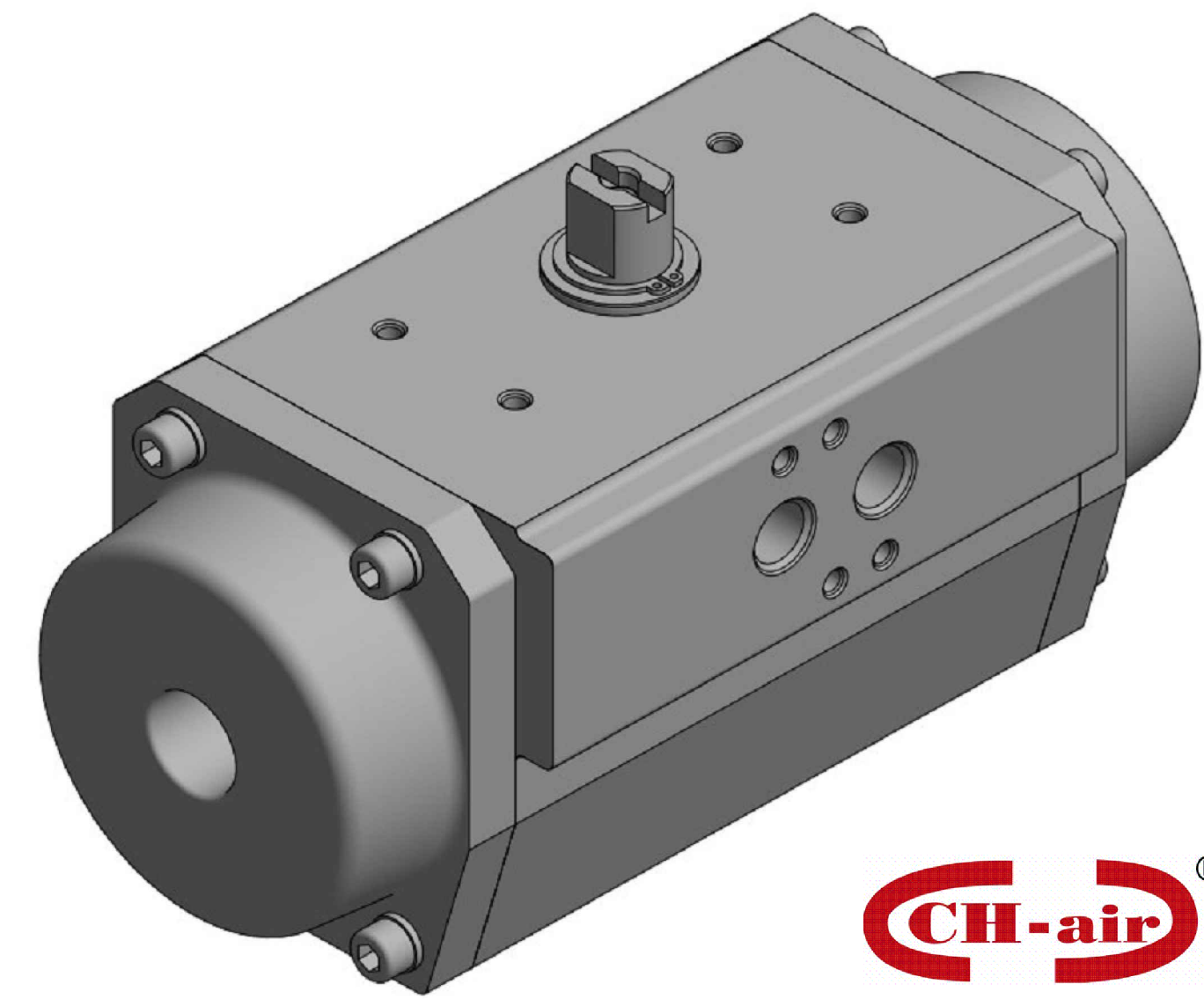
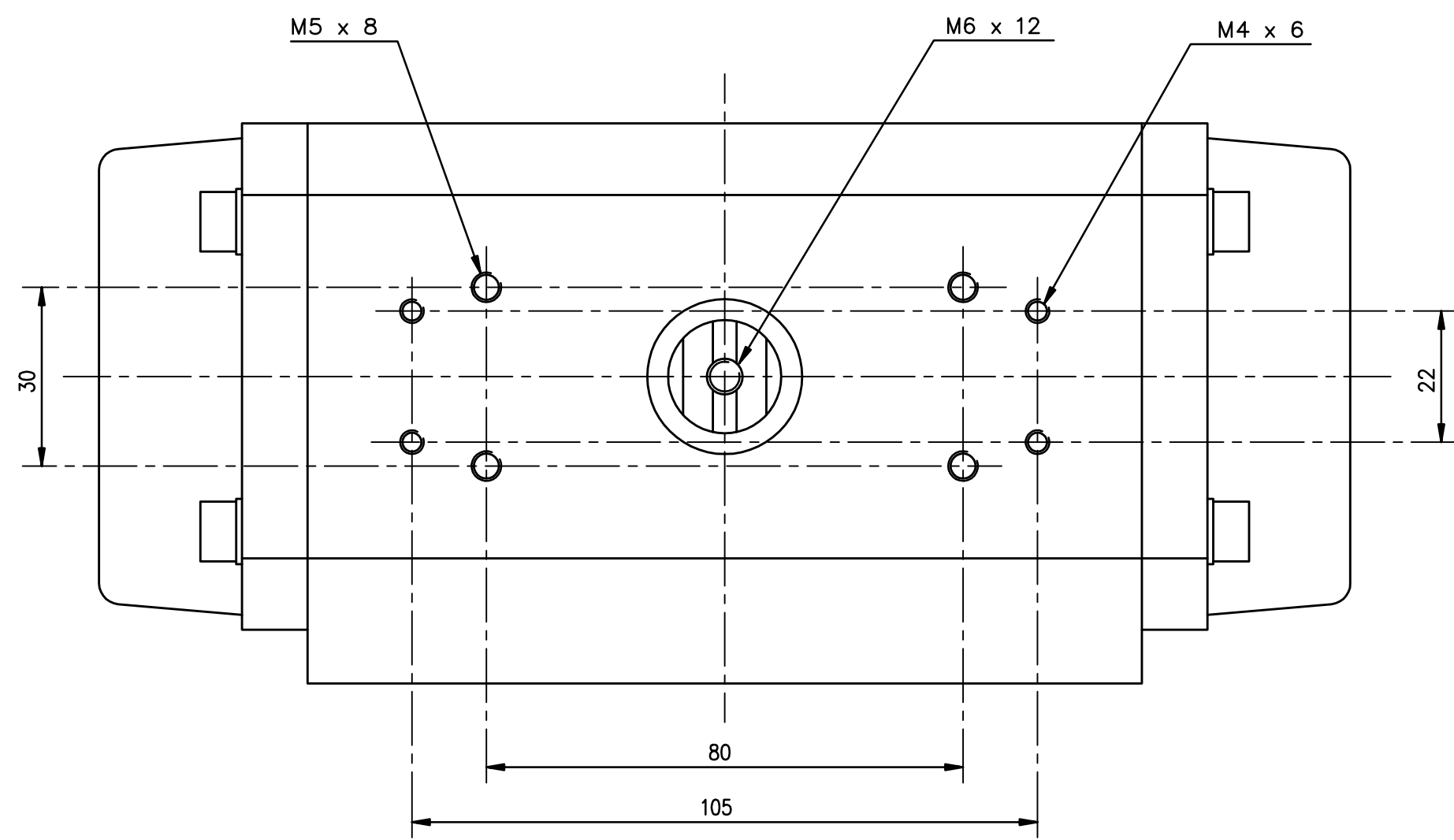


IF IN DOUBT ASK!

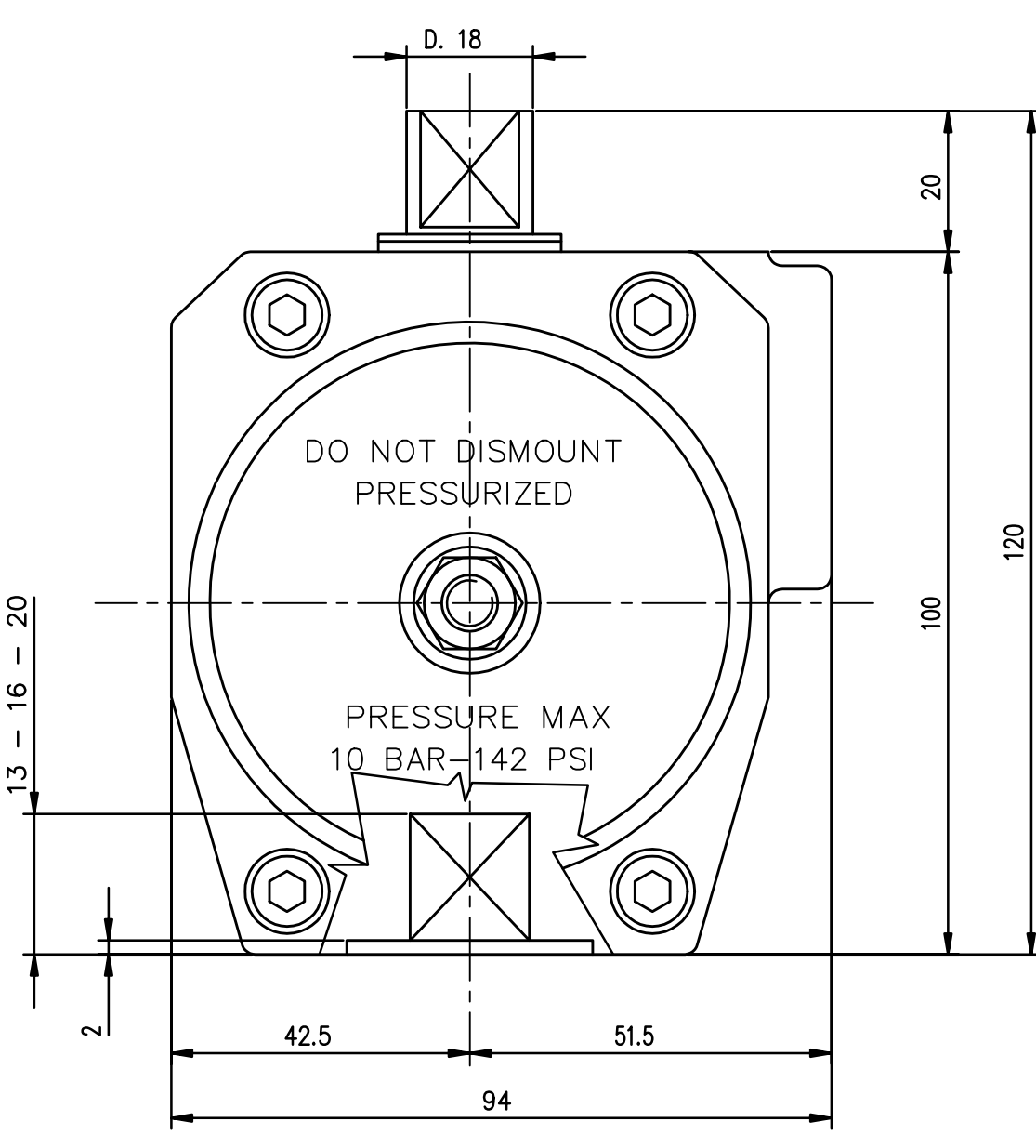
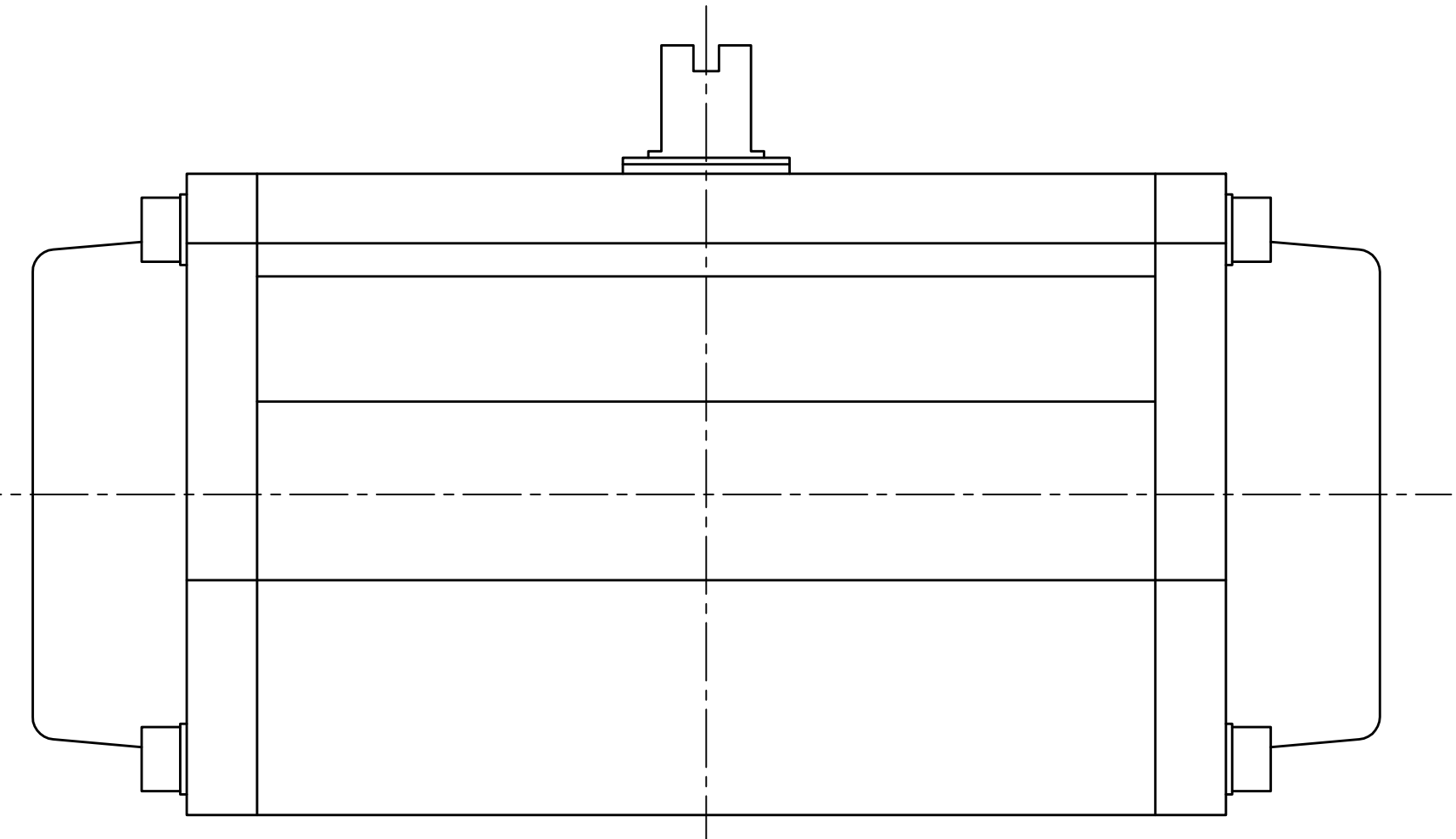
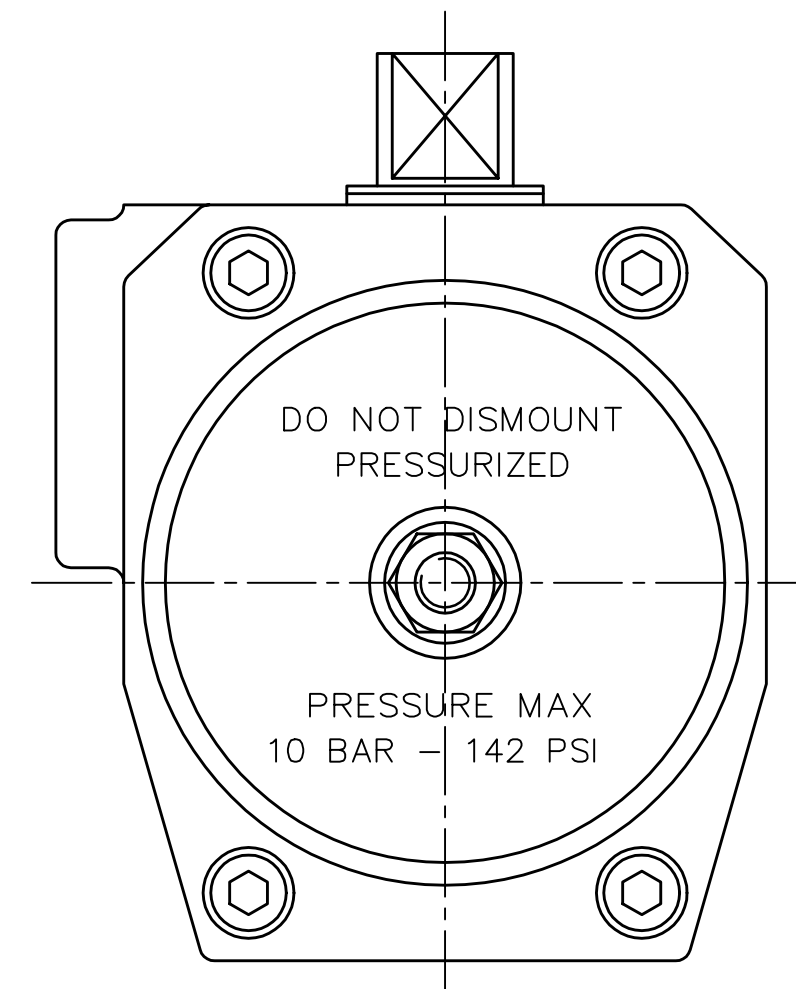
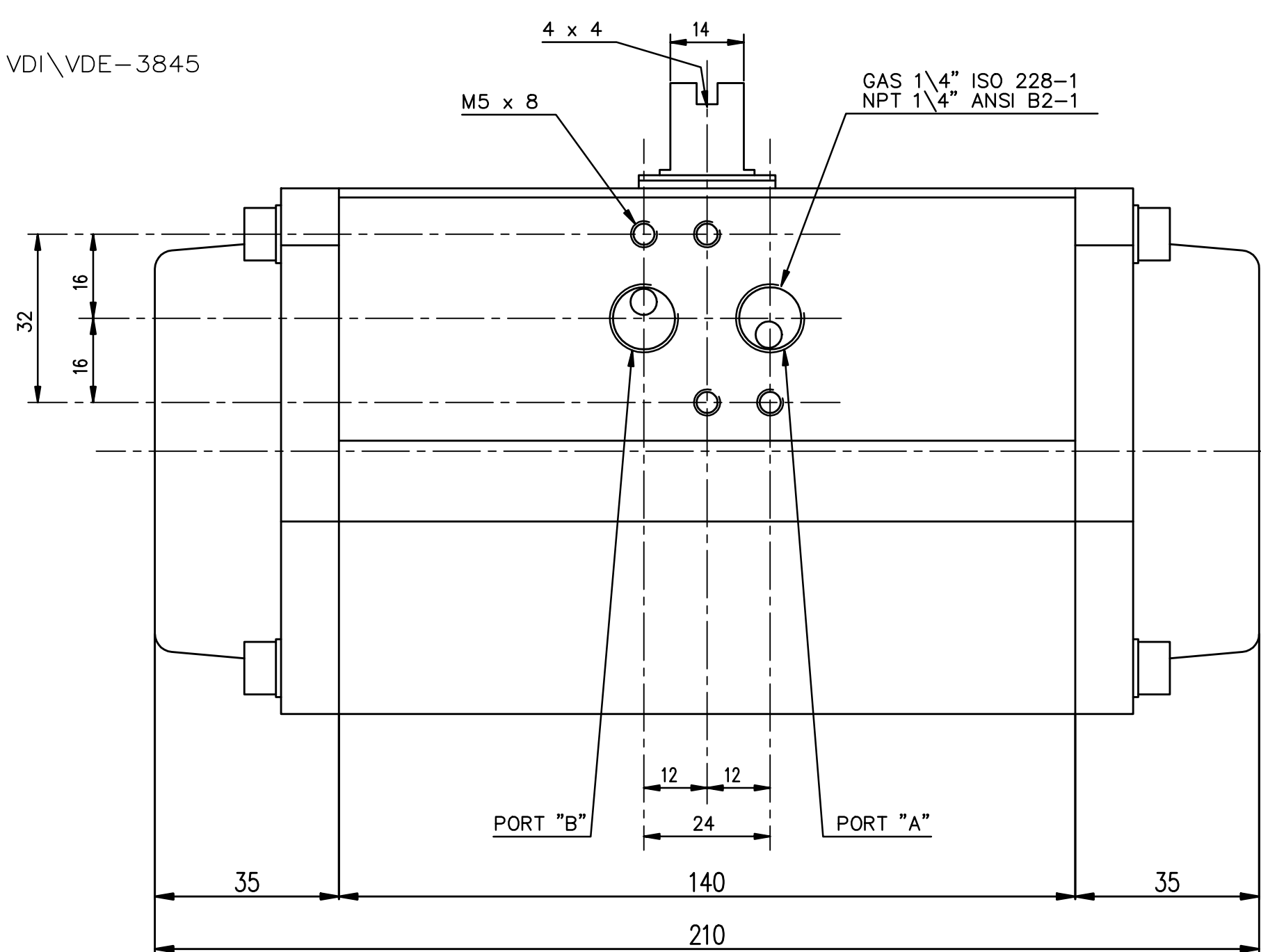
DO NOT SCALE PRINT!

DRAWING TO BS 8888

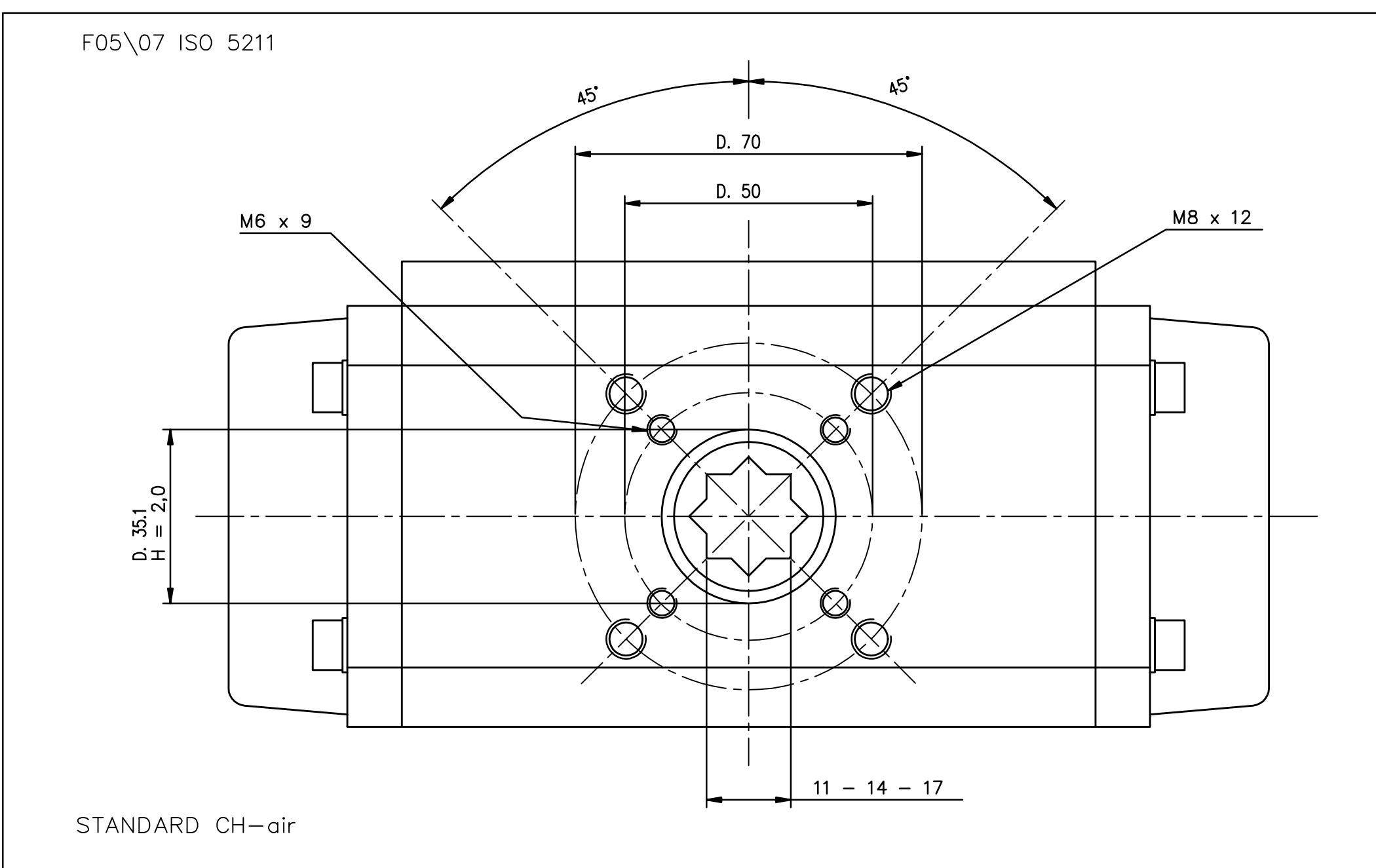
VDI\VDE-3845



VDI\VDE-3845

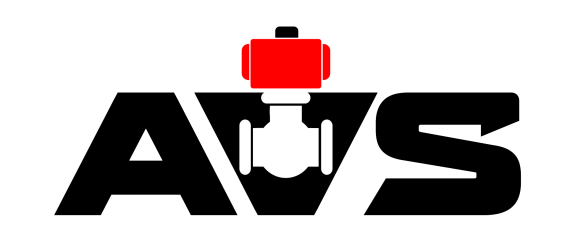
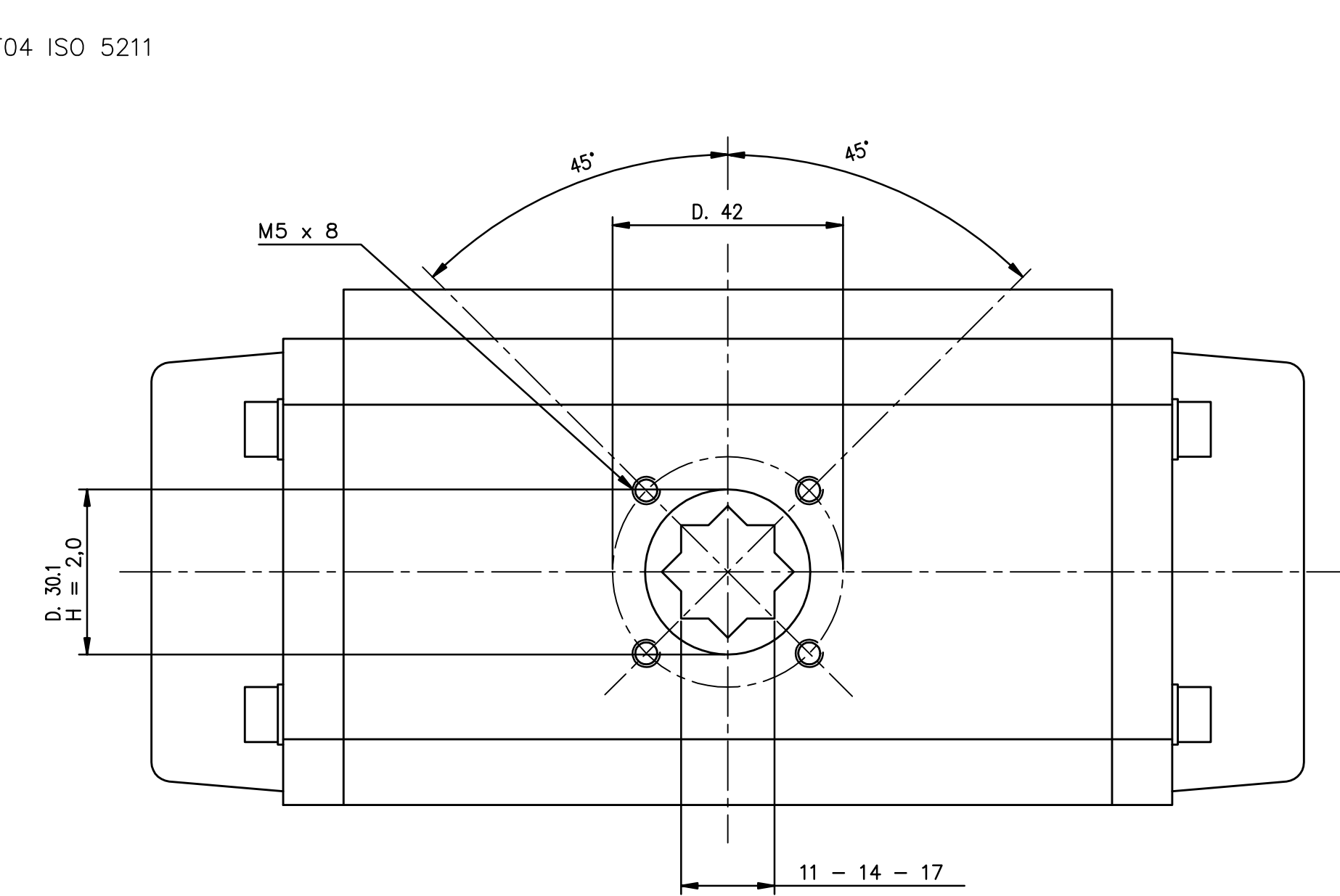


F05\07 ISO 5211



STANDARD CH-air

F04 ISO 5211



<small>THIS DRAWING IS CONFIDENTIAL AND IS NOT TO BE REPRODUCED WITHOUT THE WRITTEN CONSENT OF Actuated Valve Supplies Limited</small>					
TITLE CH-air MODEL A-075 PNEUMATIC ACTUATOR - ALUMINIUM					
STOCK CODE CH-AIR-A-075-CAD			DIM ARE mm		
SCALE 1:1			CH-AIR-A-075-CAD		
DRAWING NUMBER			SHEET 1 OF 1		

JRM	HMM	SBW	NEW		30.08.17
APPROVED BY	CHECKED BY	DRAWN BY	ISSUE	CHANGE NO.	DATE