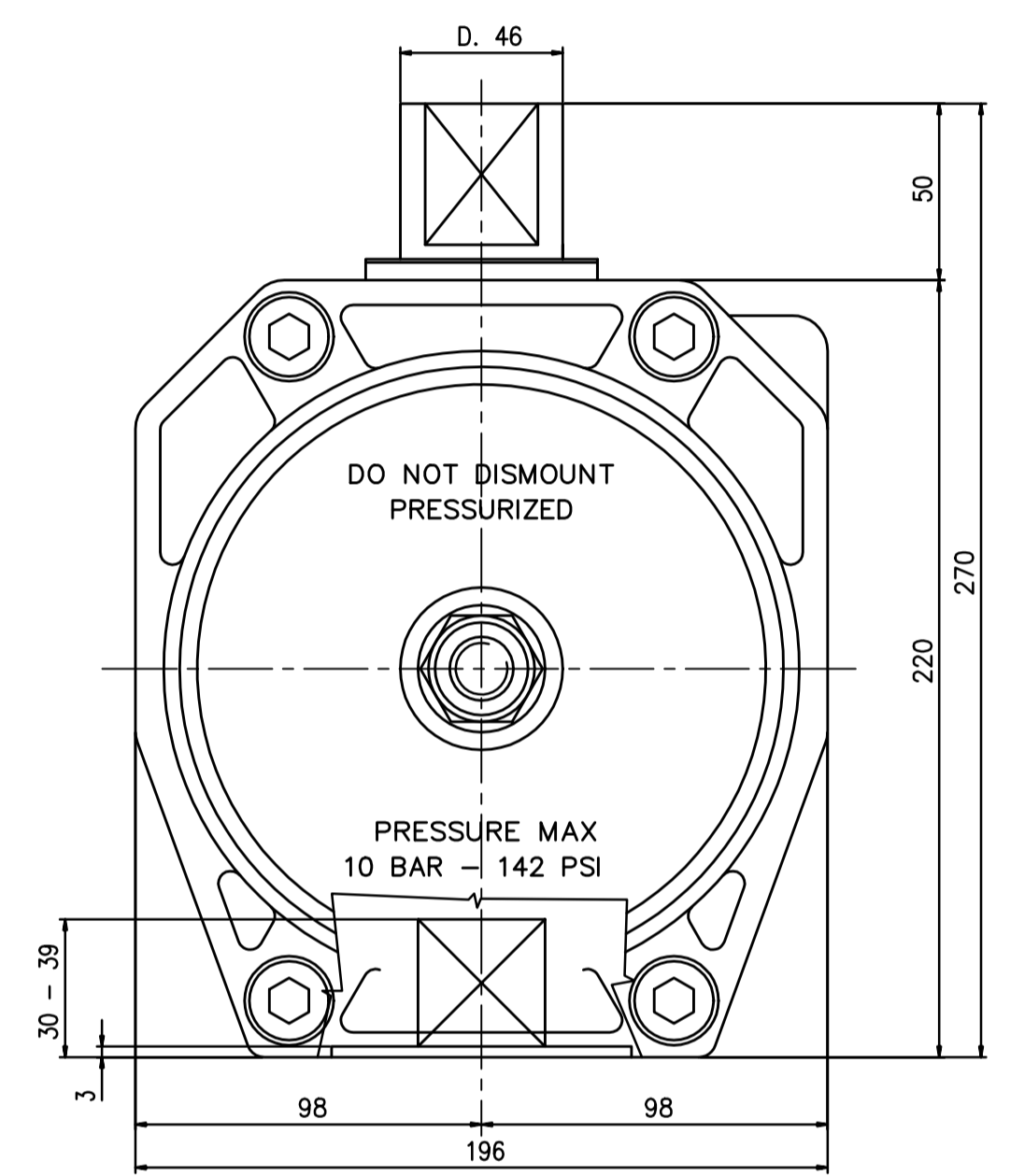
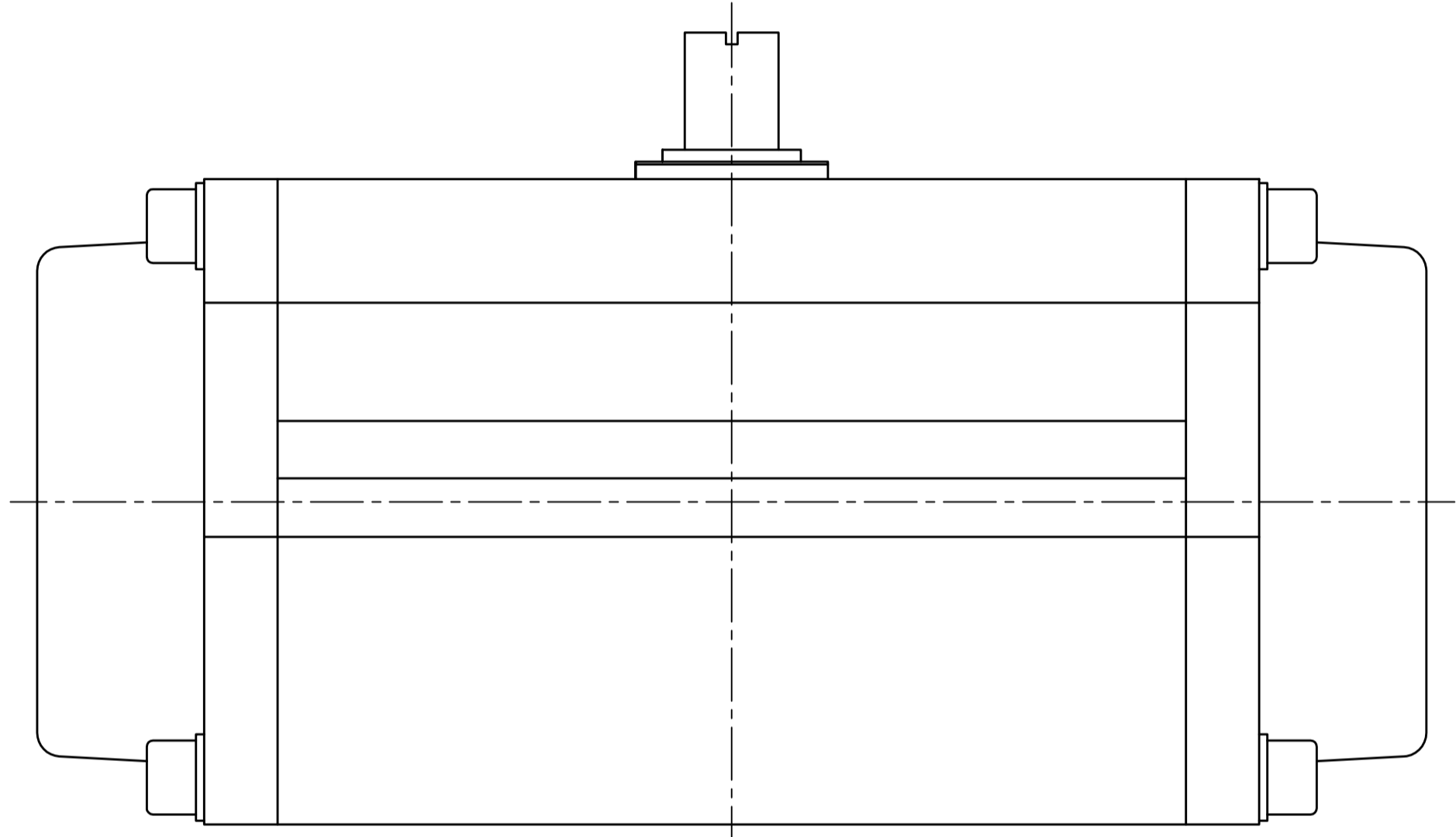
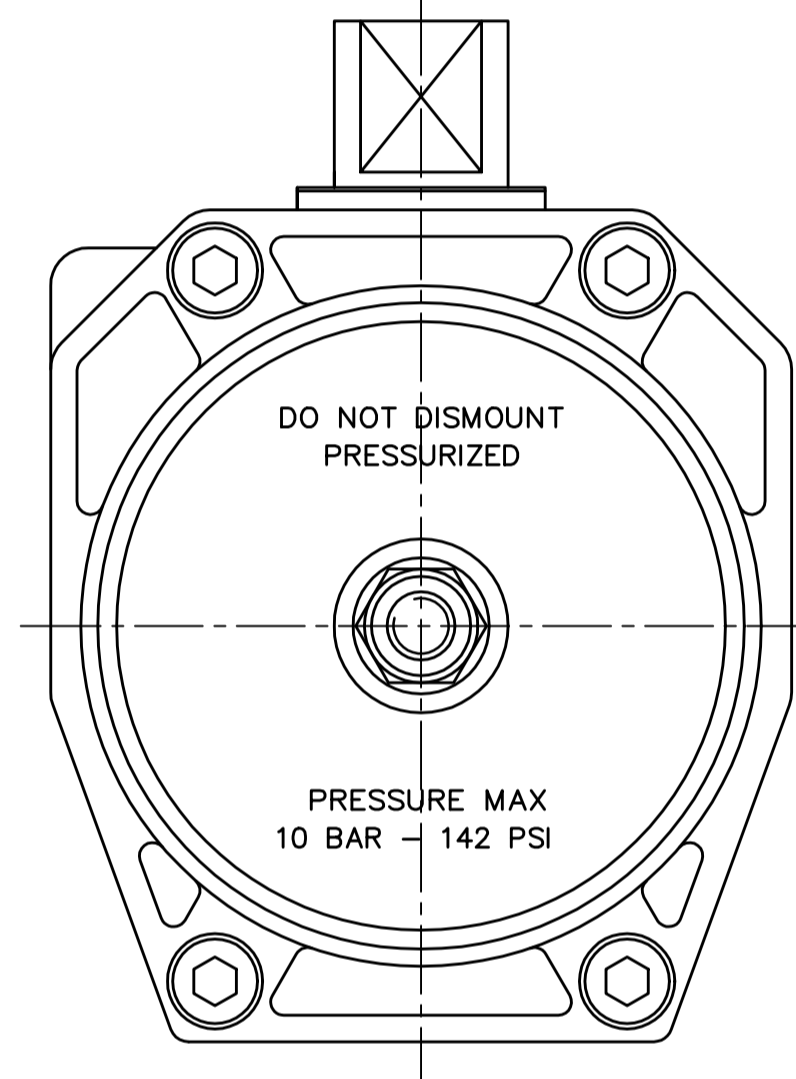
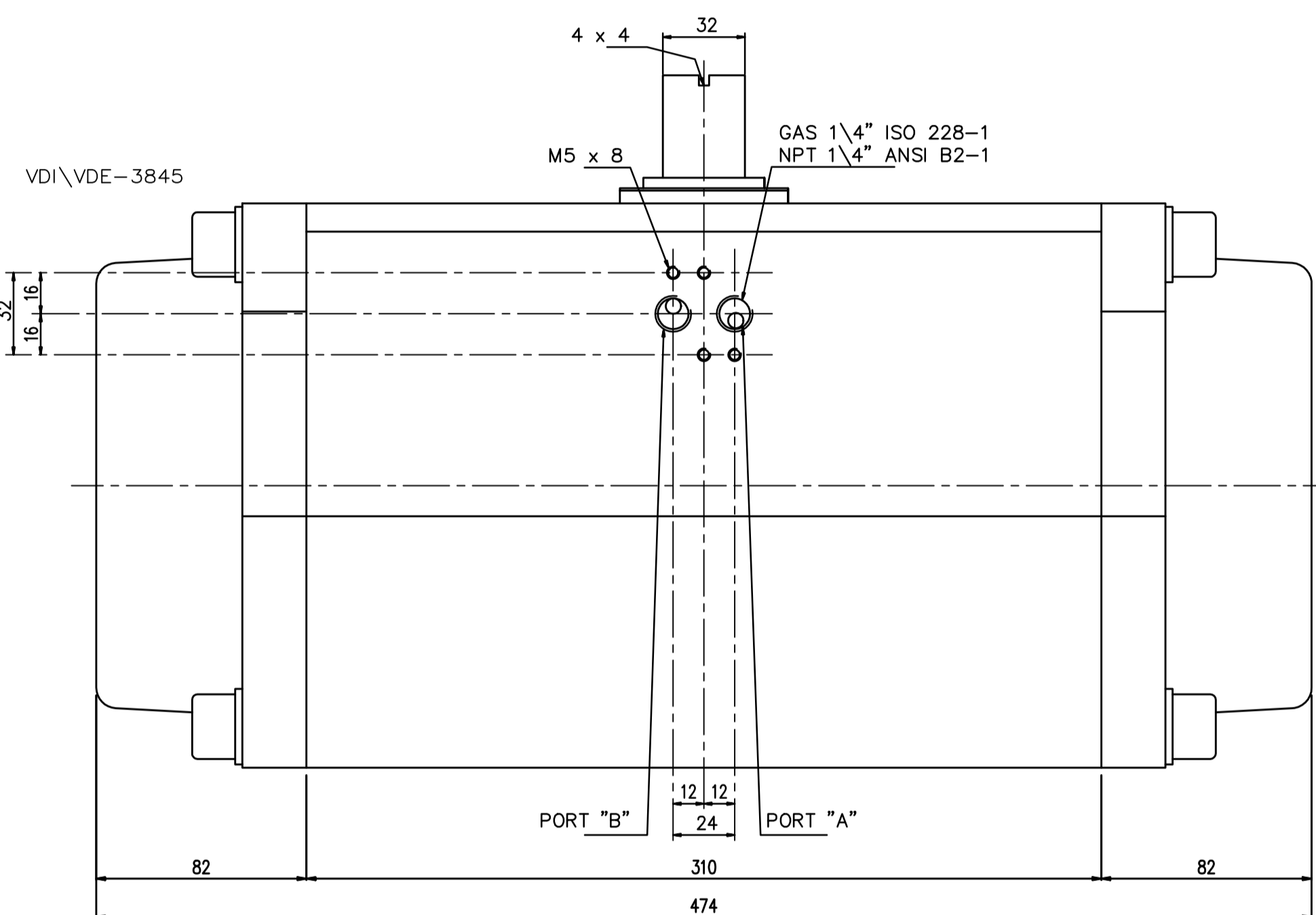
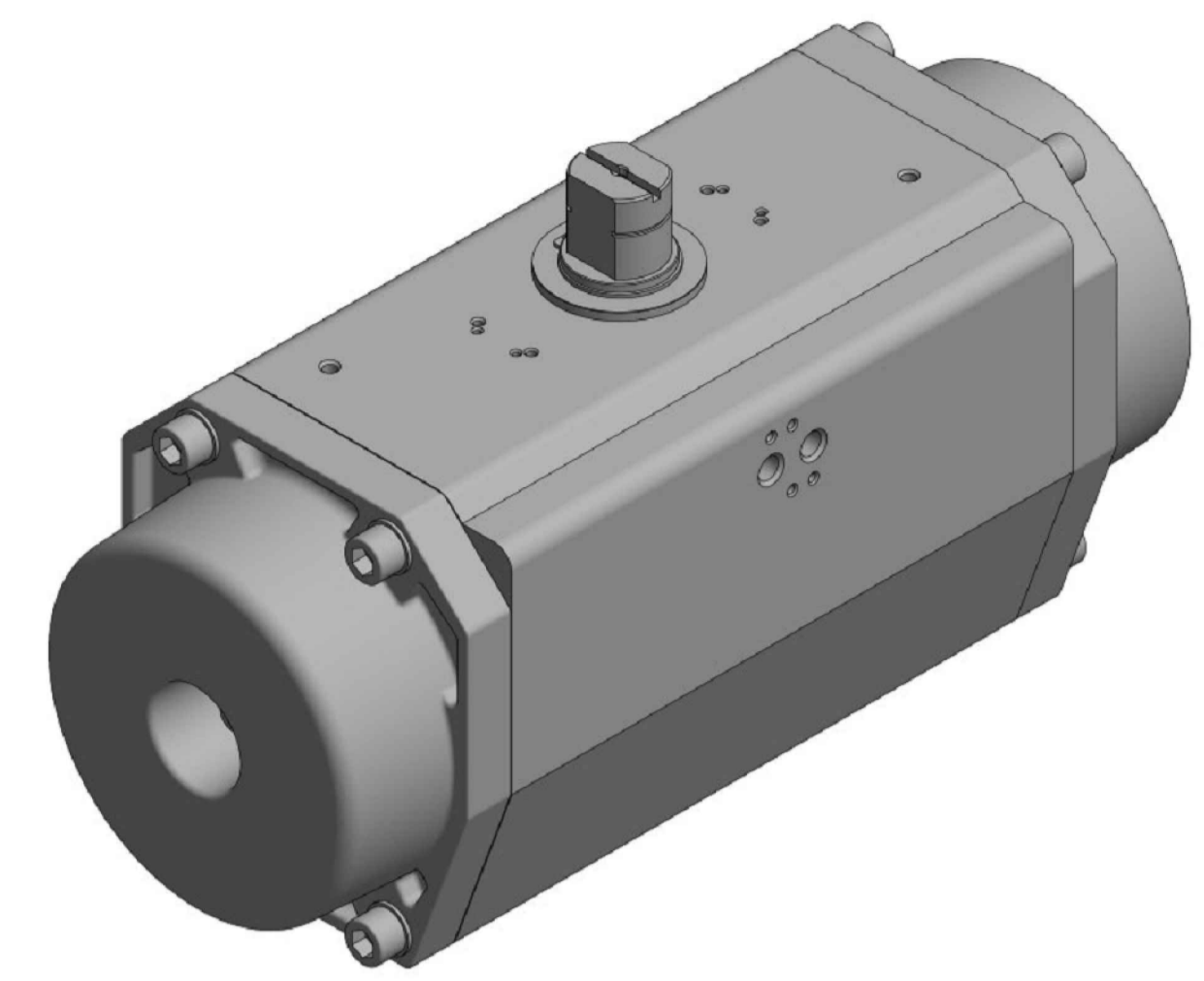
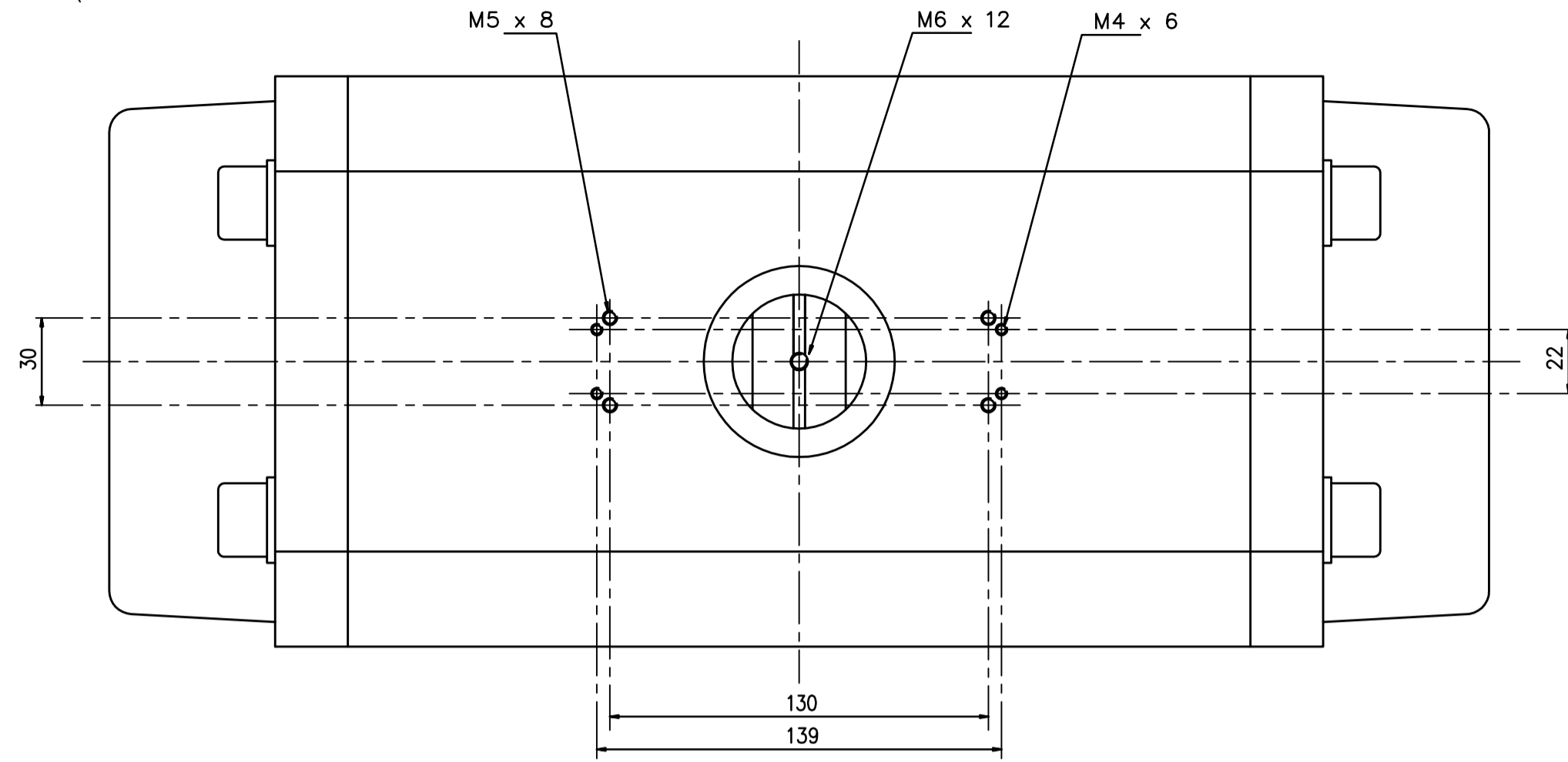


IF IN DOUBT ASK!

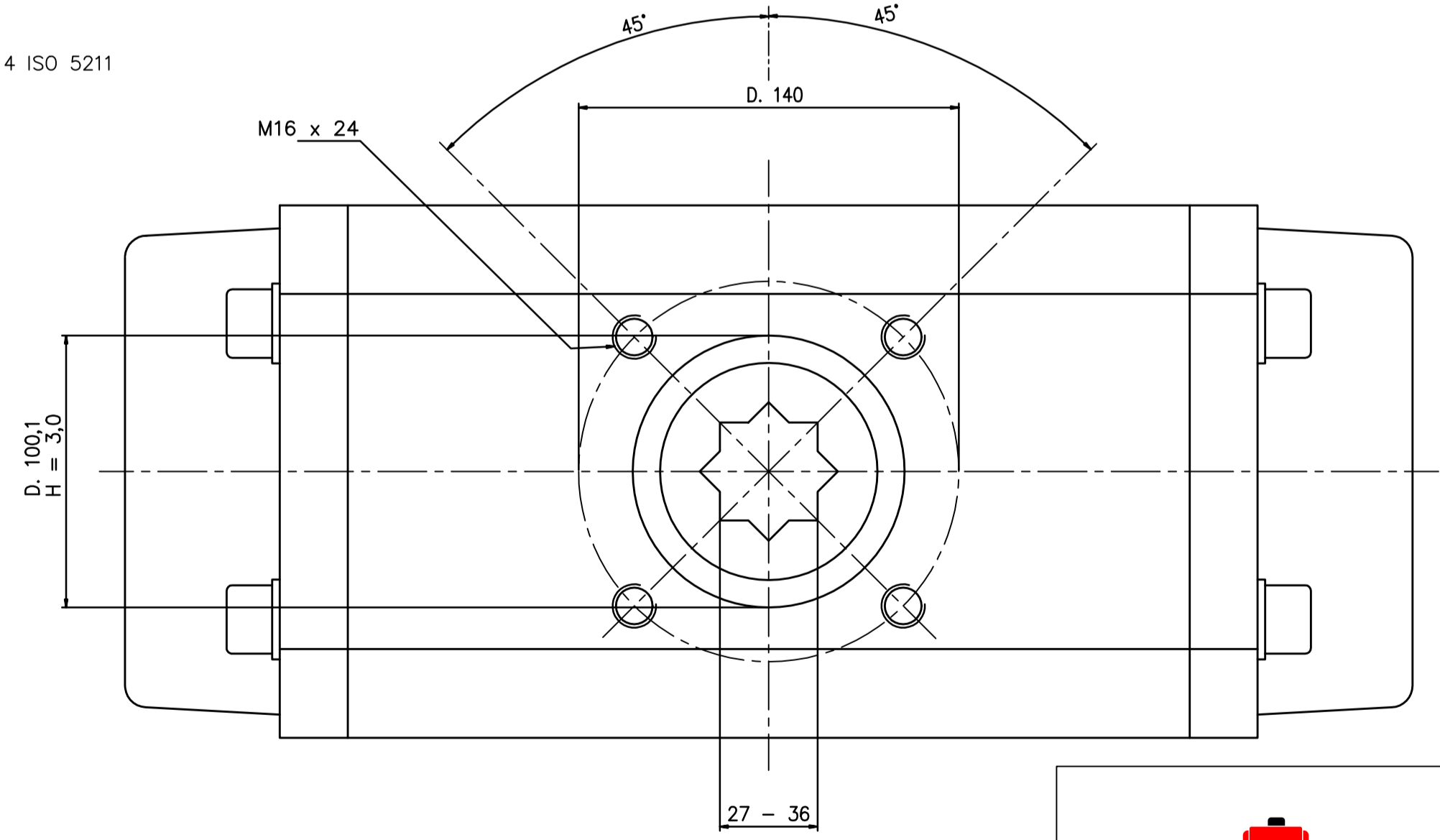
DO NOT SCALE PRINT!

DRAWING TO BS 8888

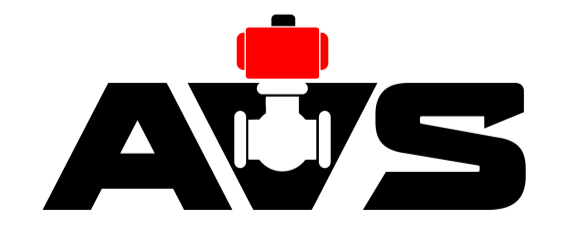
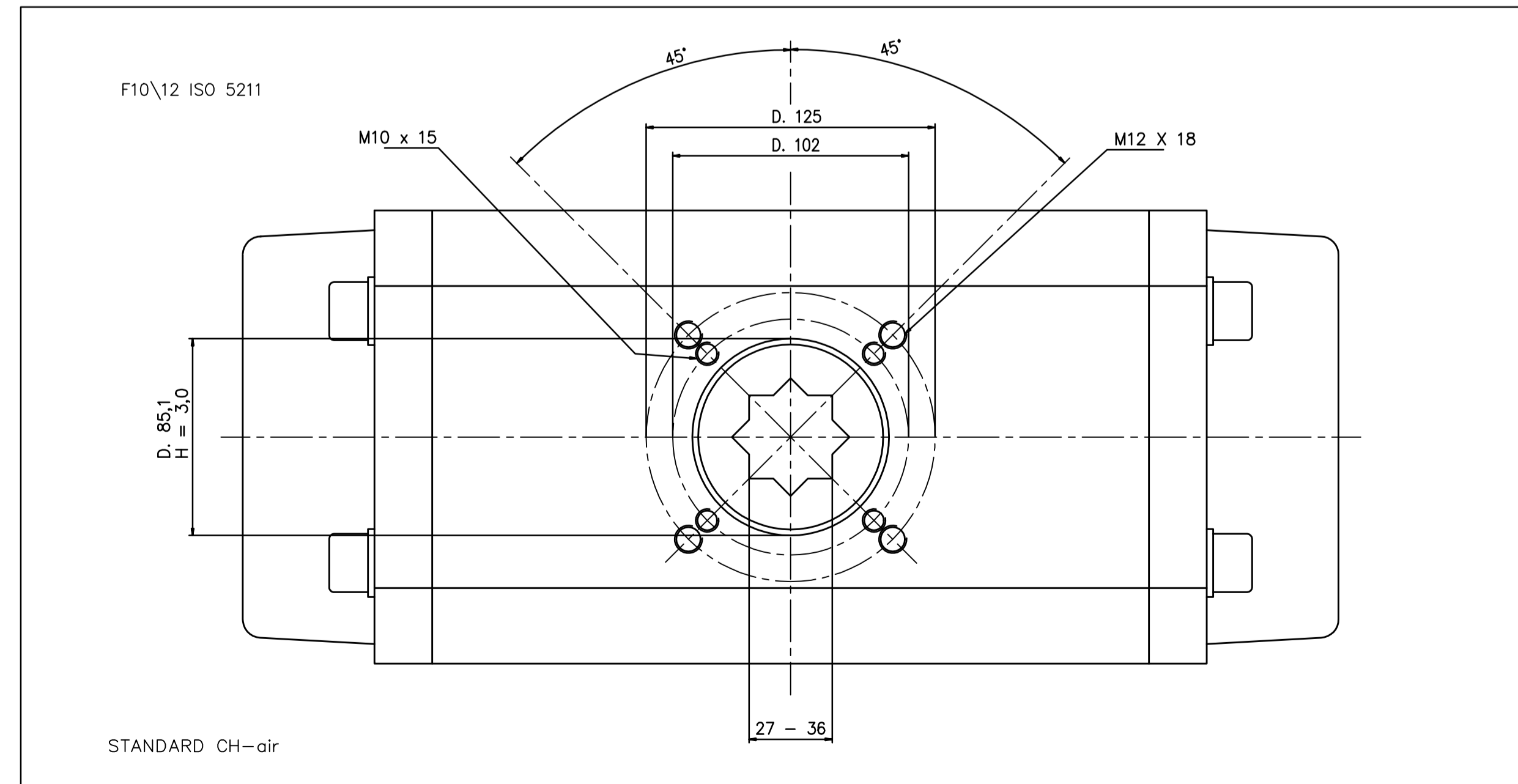
VDI\VDE-3845



F14 ISO 5211



F10\12 ISO 5211



THIS DRAWING IS CONFIDENTIAL AND IS NOT TO BE REPRODUCED WITHOUT THE WRITTEN CONSENT OF Actuated Valve Supplies Limited

TITLE CH-air MODEL A-180 PNEUMATIC ACTUATOR - ALUMINIUM

STOCK CODE	DIM ARE mm
CH-AIR-A-180-CAD	SCALE 1:2
CH-AIR-A-180-CAD	
DRAWING NUMBER	SHEET 1 OF 1

JRM	HMM	SBW	NEW		30.08.17
APPROVED BY	CHECKED BY	DRAWN BY	ISSUE	CHANGE NO.	DATE