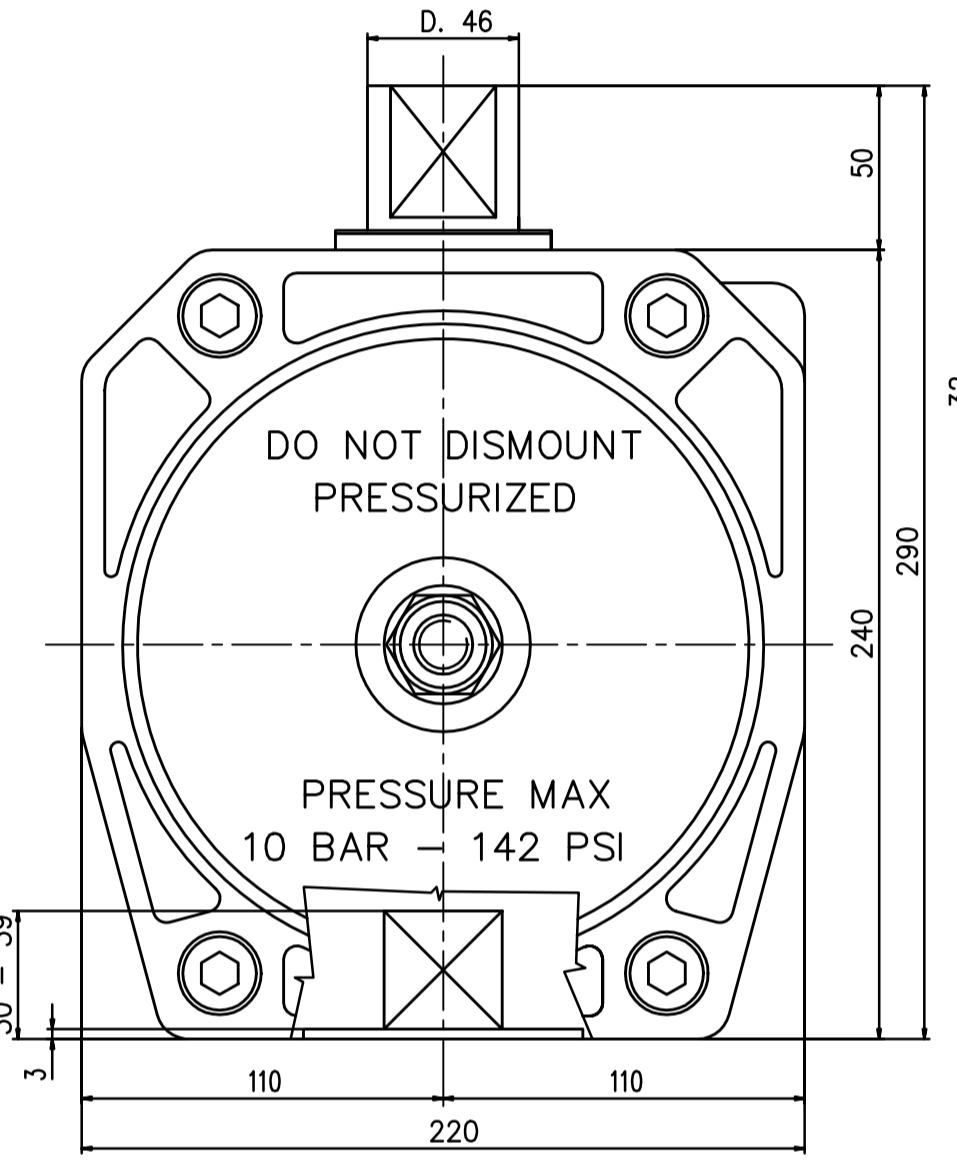
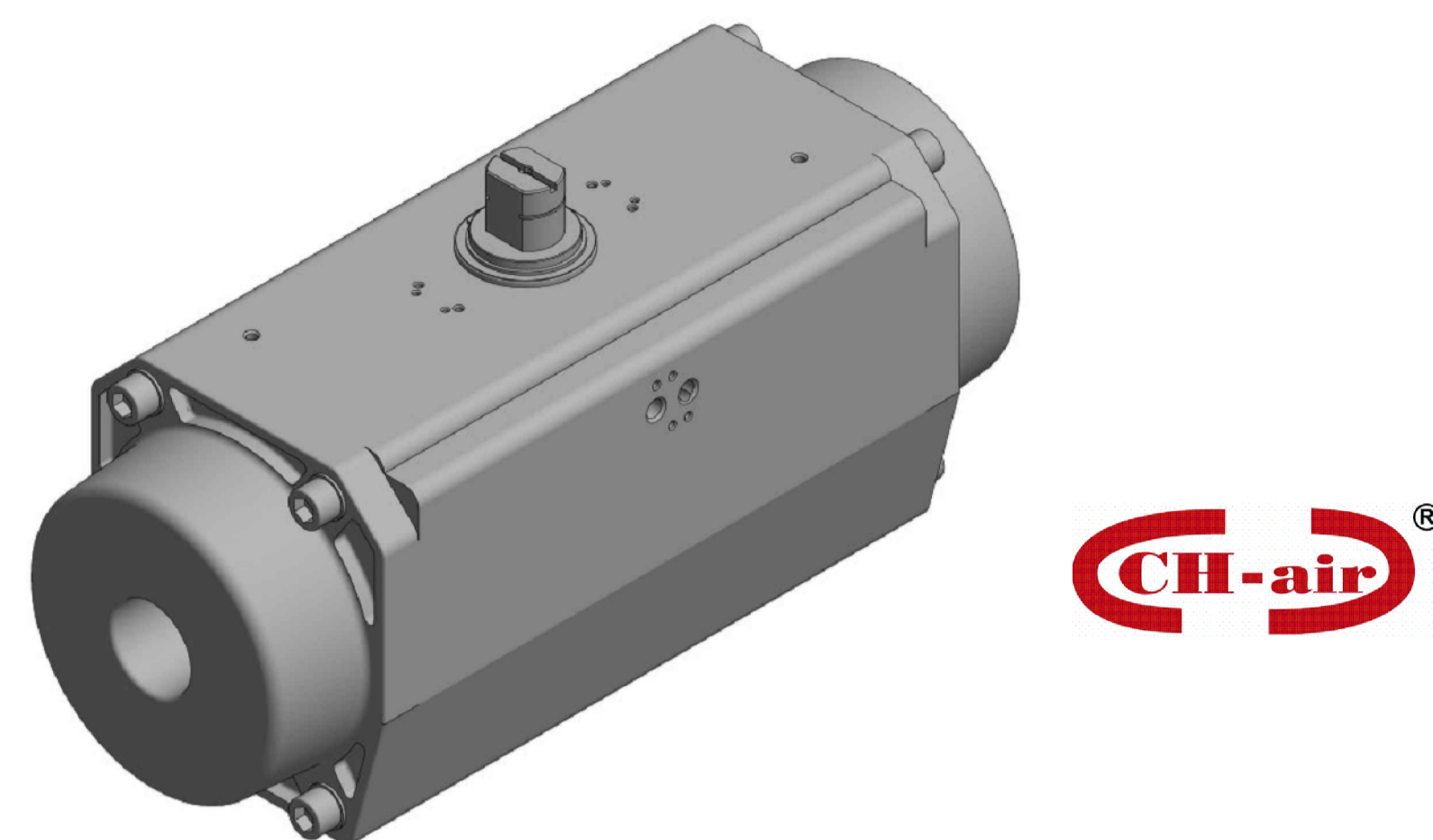
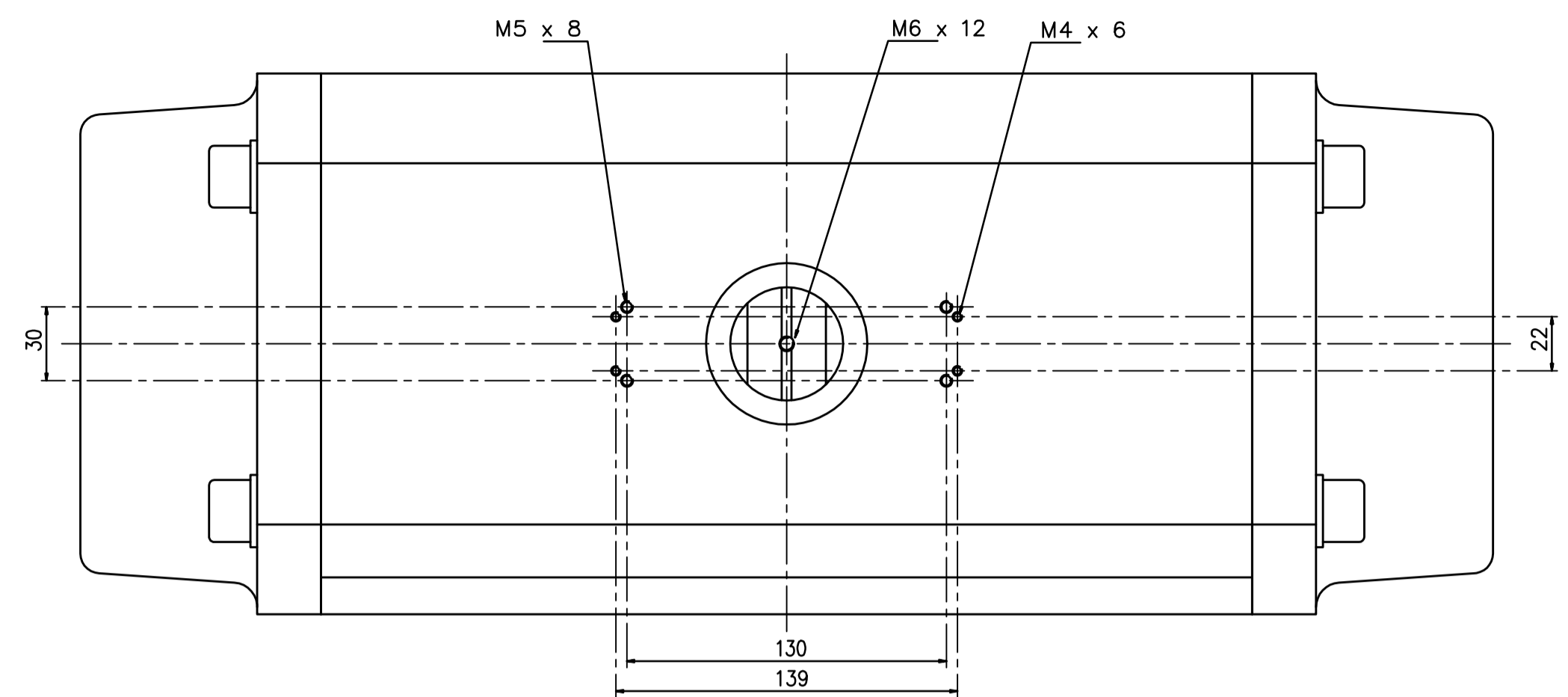


IF IN DOUBT ASK!

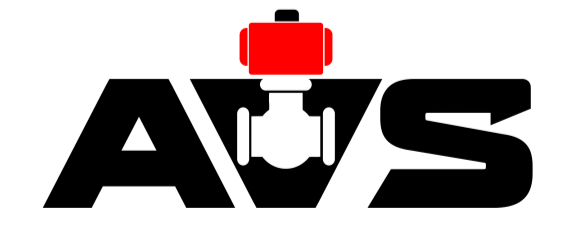
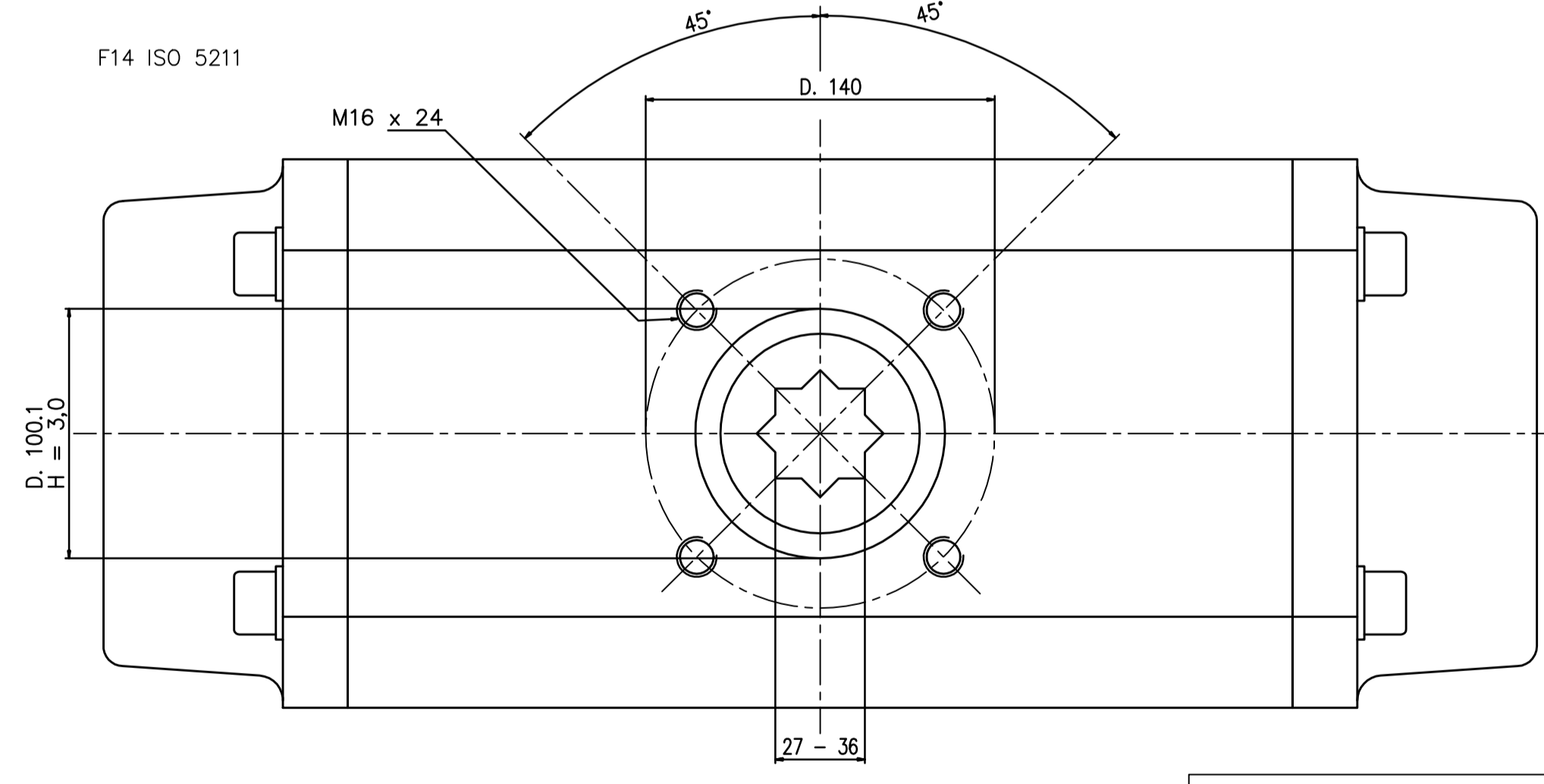
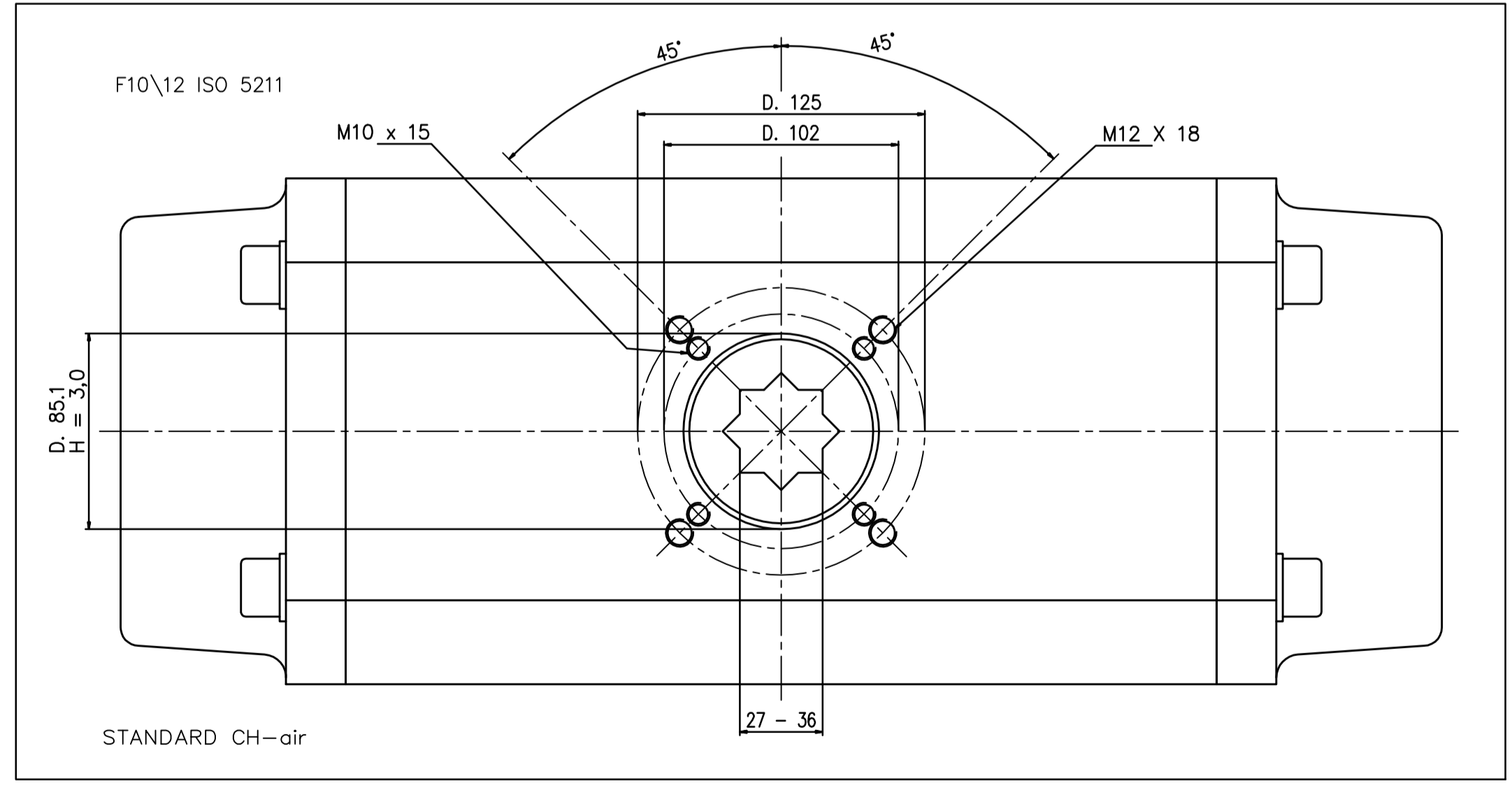
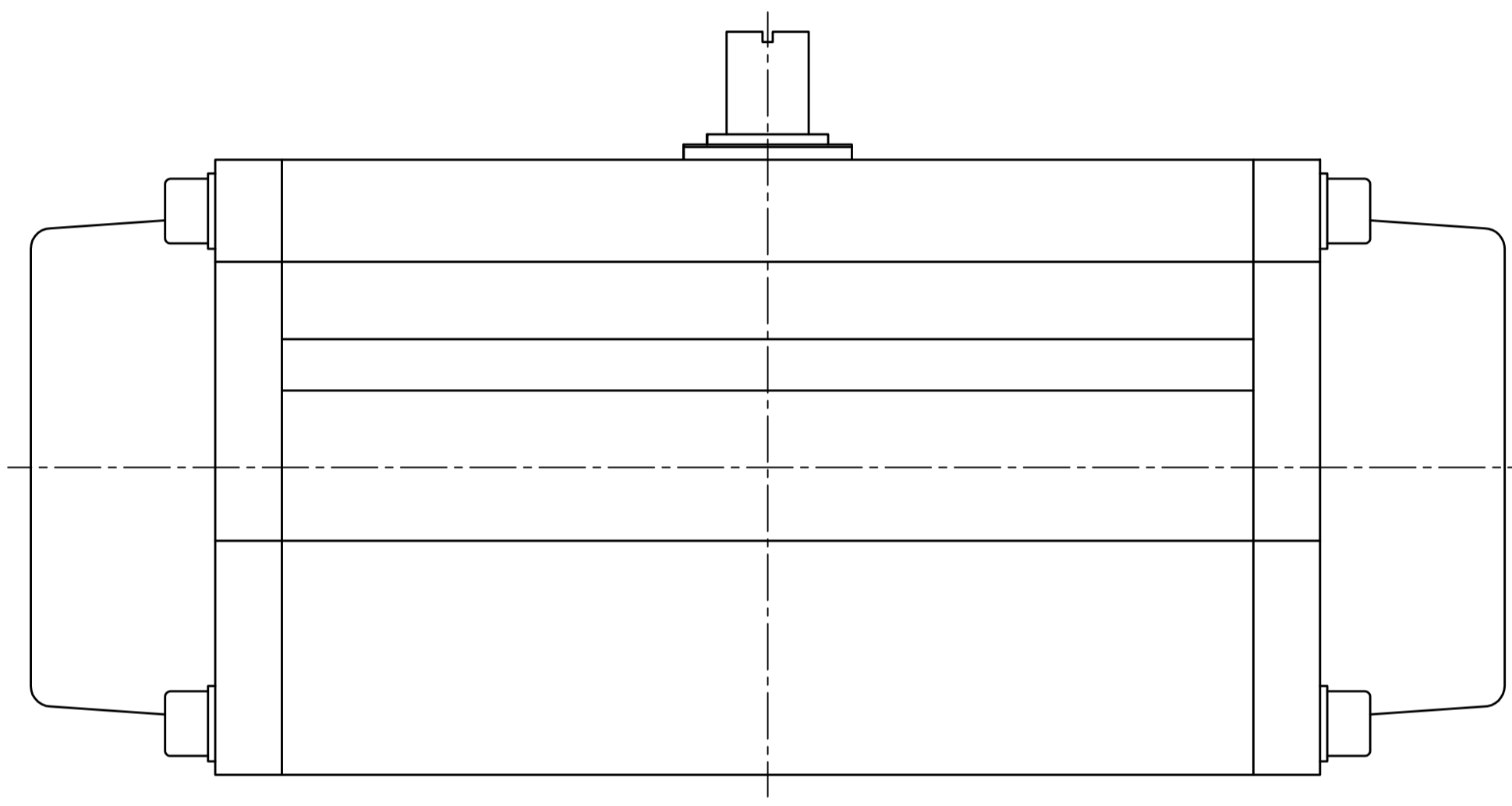
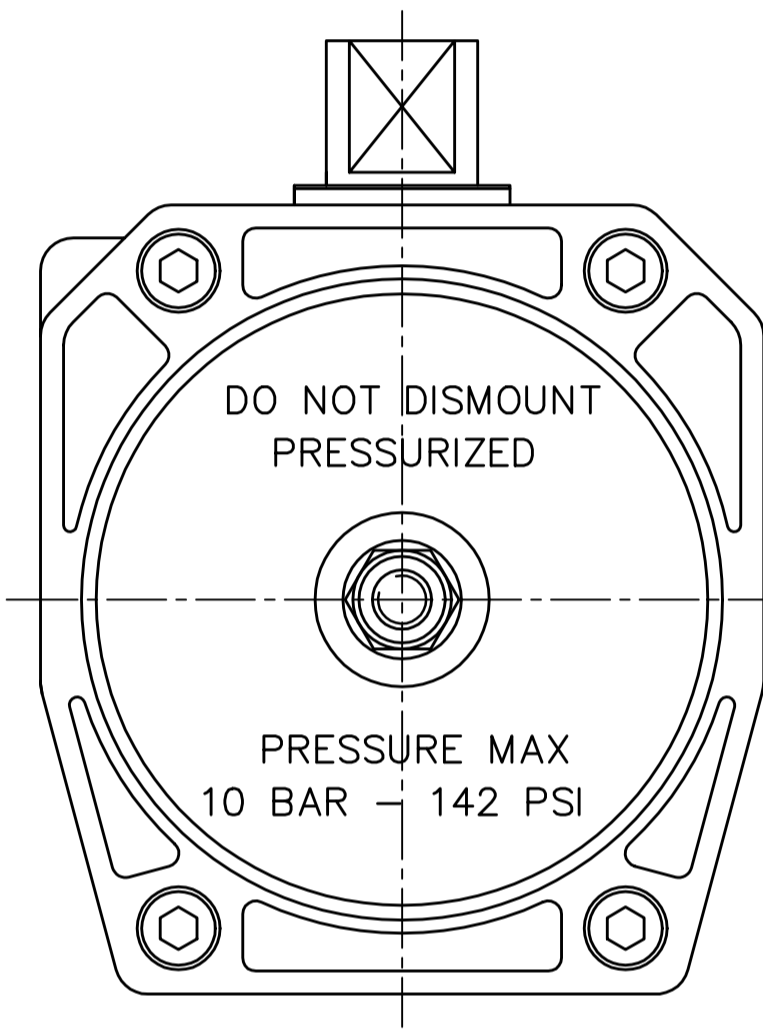
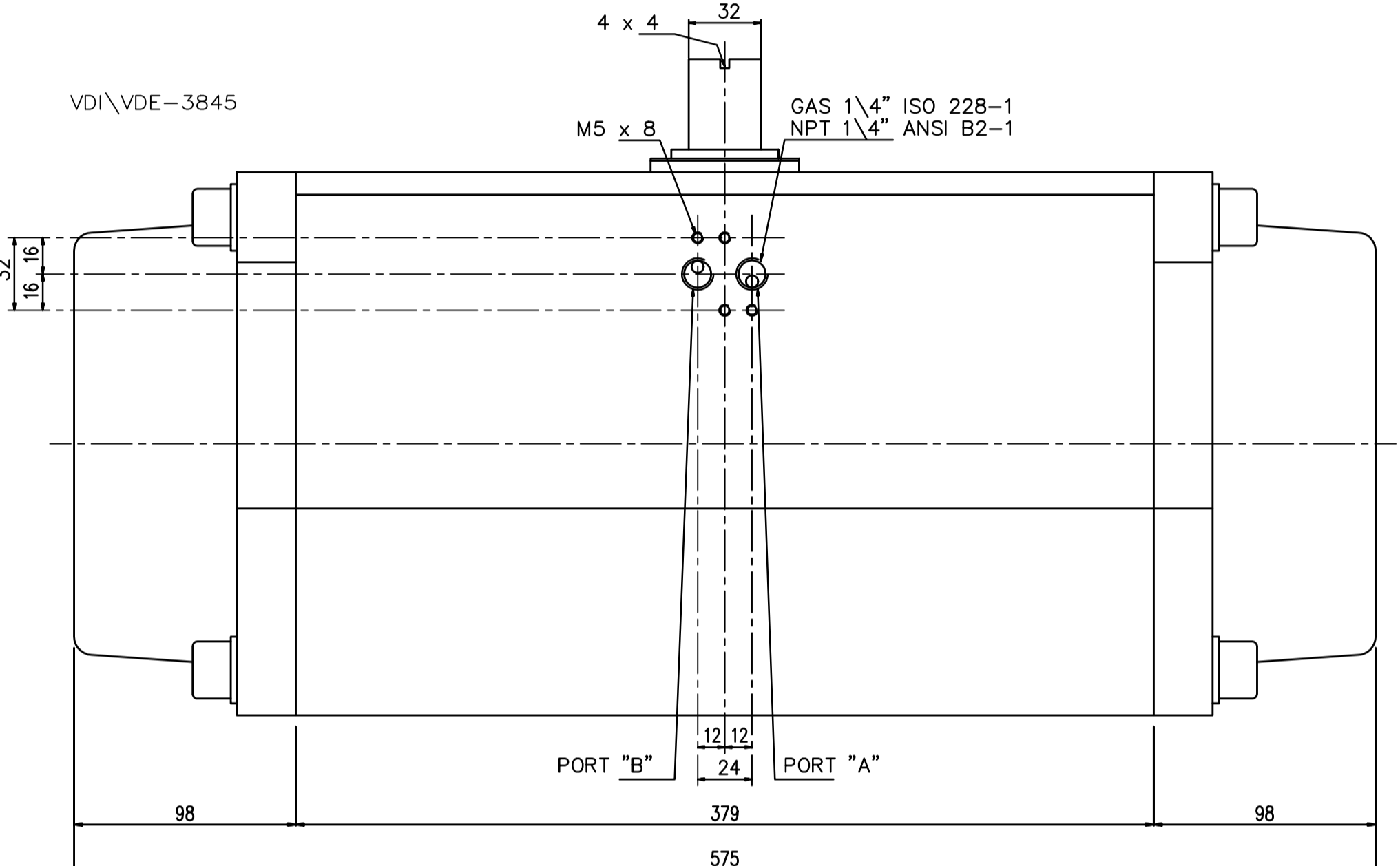
DO NOT SCALE PRINT!

DRAWING TO BS 8888

VDI\VDE-3845



VDI\VDE-3845



TITLE CH-air MODEL A-200 PNEUMATIC ACTUATOR - ALUMINIUM  
 STOCK CODE CH-AIR-A-200-CAD  
 DIM ARE mm SCALE 1:2.3  
 CH-AIR-A-200-CAD  
 DRAWING NUMBER SHEET 1 OF 1

|             |            |          |       |            |          |
|-------------|------------|----------|-------|------------|----------|
| JRM         | HMM        | SBW      | NEW   |            | 30.08.17 |
| APPROVED BY | CHECKED BY | DRAWN BY | ISSUE | CHANGE NO. | DATE     |