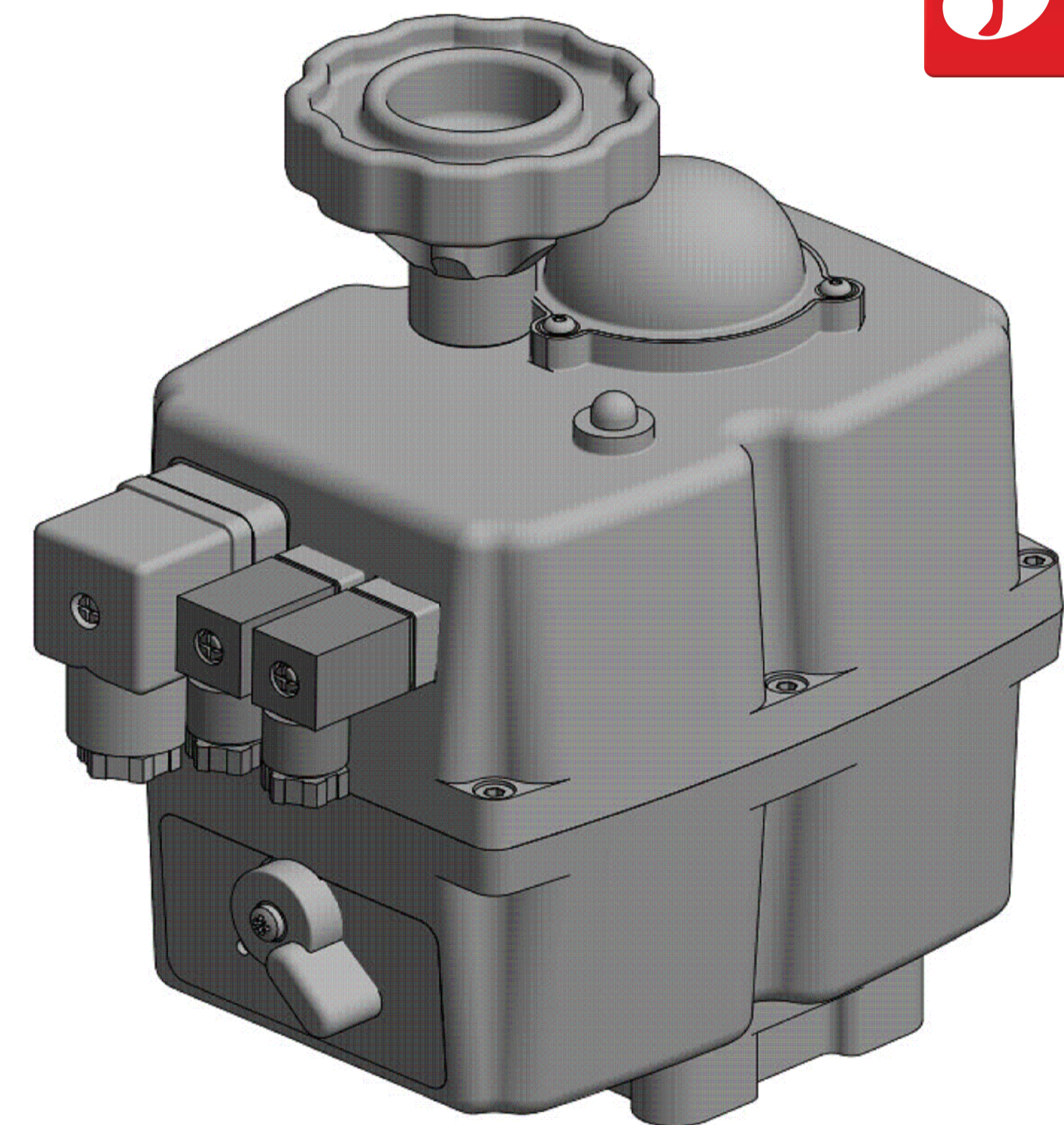
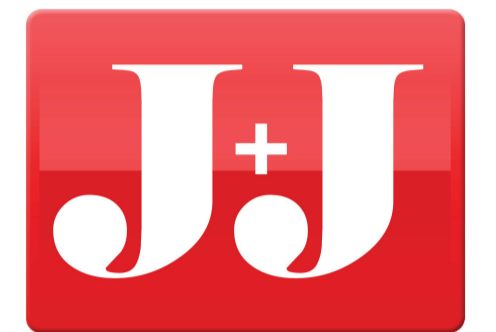
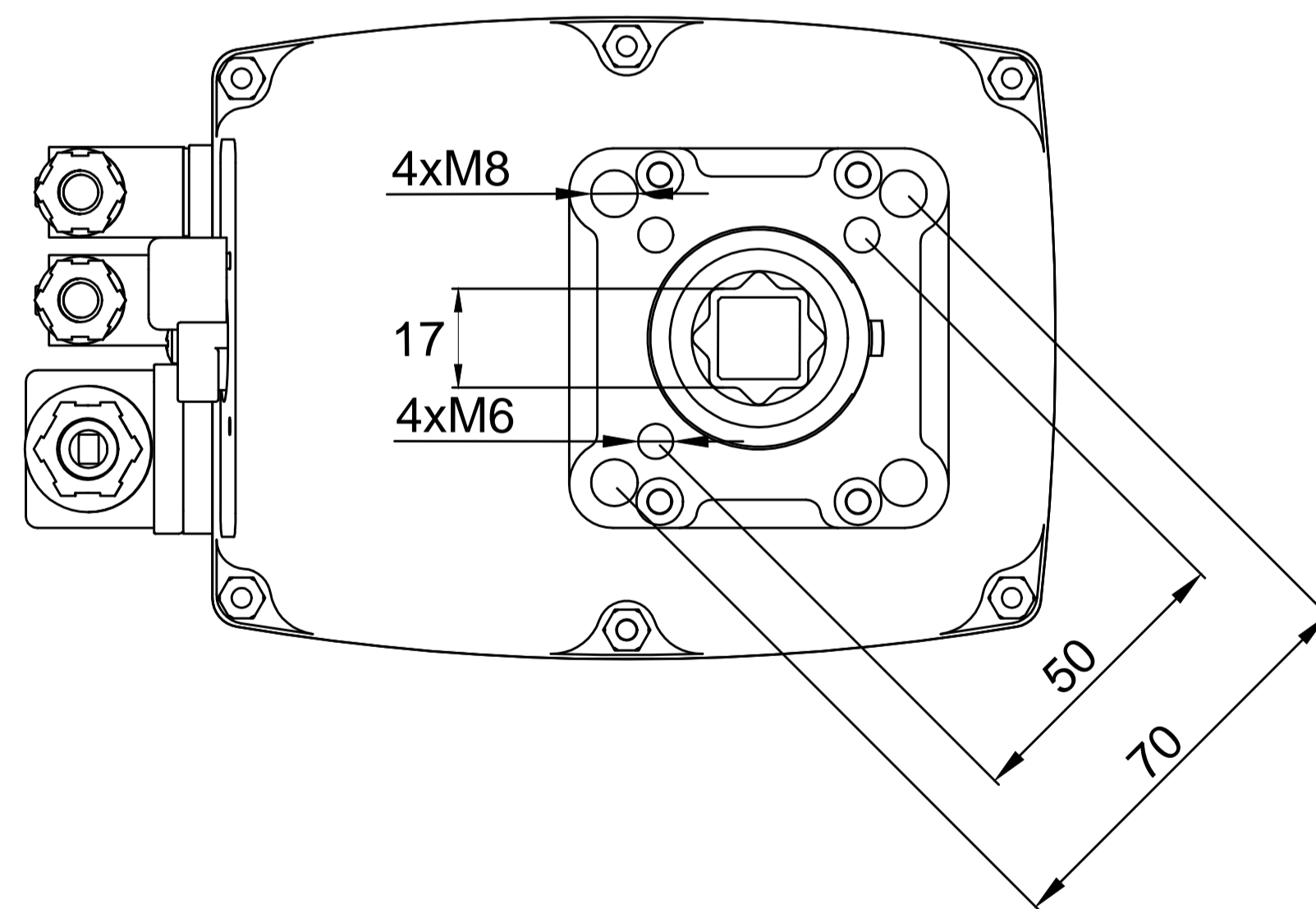
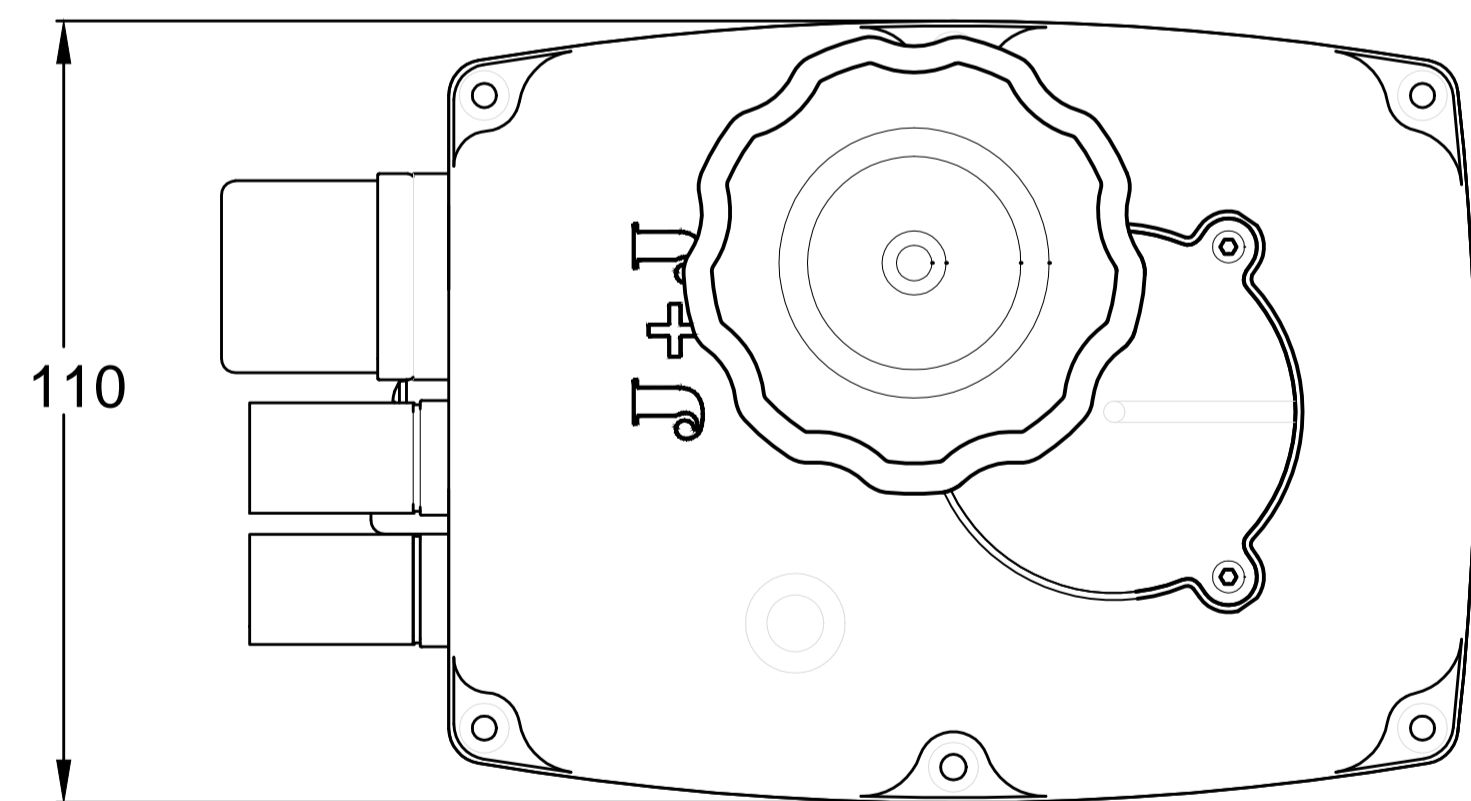
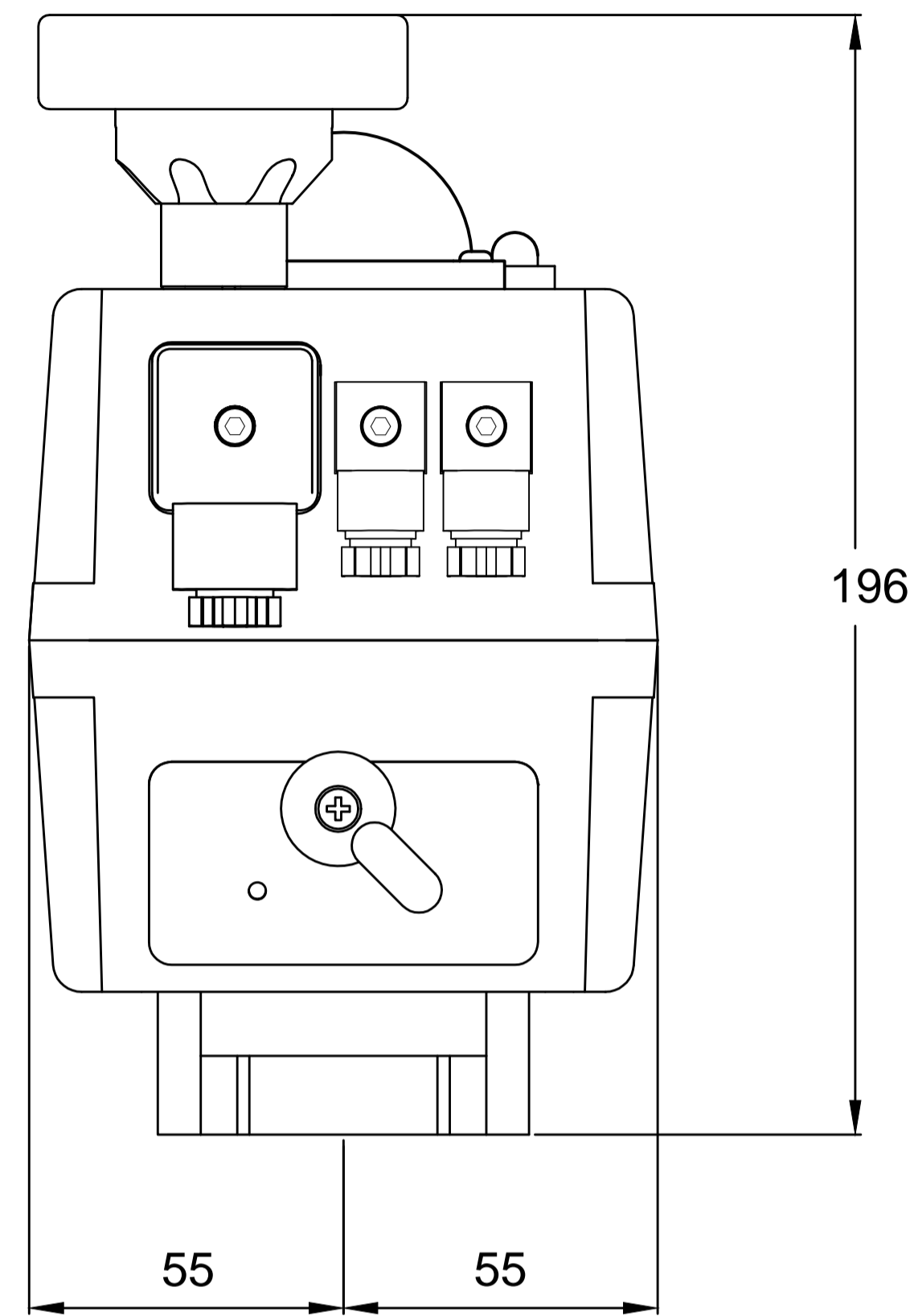
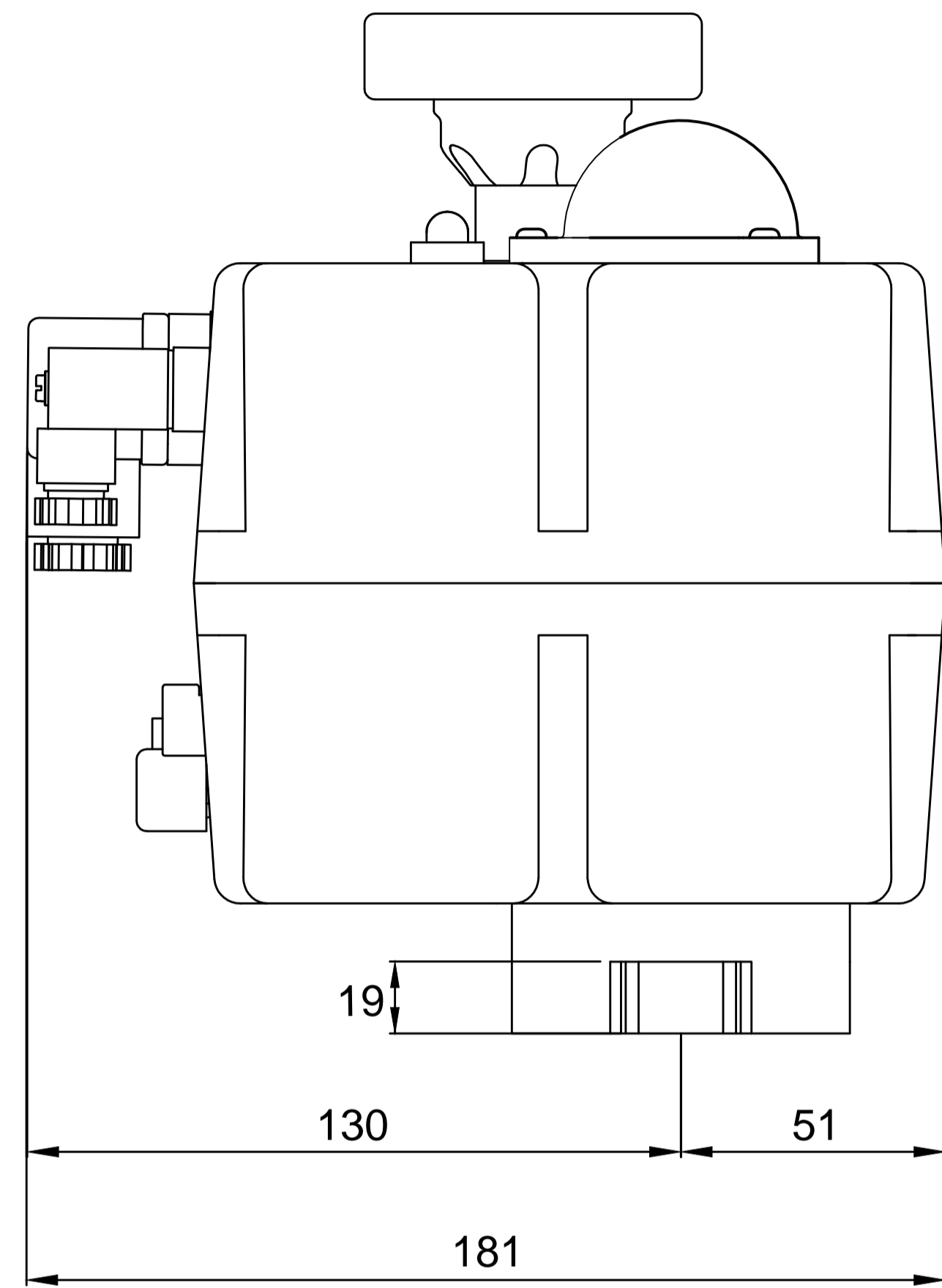


IF IN DOUBT ASK!

DO NOT SCALE PRINT!

DRAWING TO BS 8888



- Notes:
 1. Std = Grey base, red JJ logo cover 3 plugs



THIS DRAWING IS CONFIDENTIAL AND IS NOT TO BE REPRODUCED WITHOUT THE WRITTEN CONSENT OF Actuated Valve Supplies Limited

TITLE J3C-S55-DPS MODULATING J+J
 ELECTRIC ACTUATOR WITH JJ LOGO

STOCK CODE J+J-3C-S55-DPS DIM ARE mm

SCALE 1:1

JRM	HMM	SBW	NEW	03.08.17
APPROVED BY	CHECKED BY	DRAWN BY	ISSUE	CHANGE NO.
				DATE

J+J-3C-S55-DPS
 DRAWING NUMBER SHEET 1 OF 1