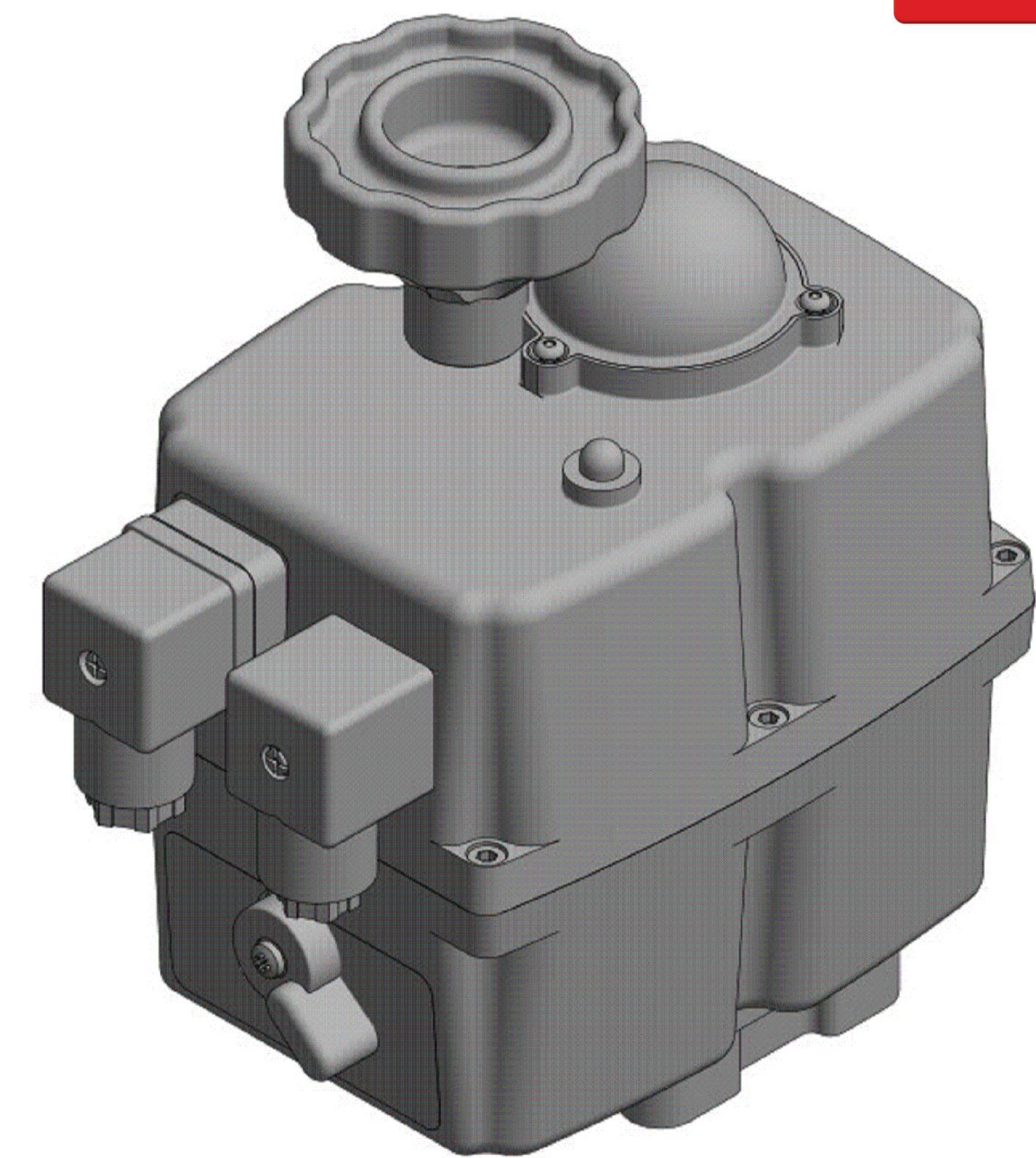
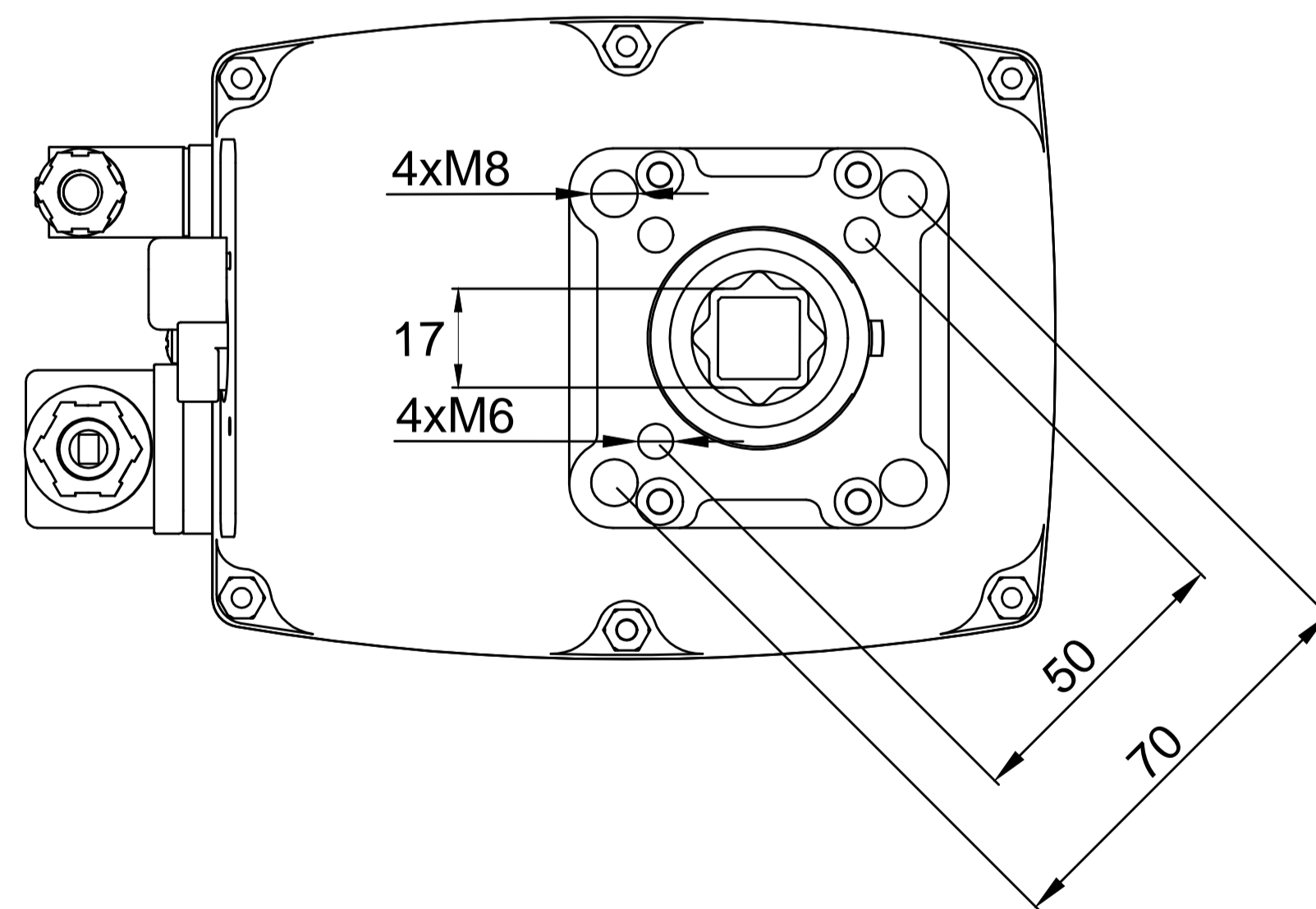
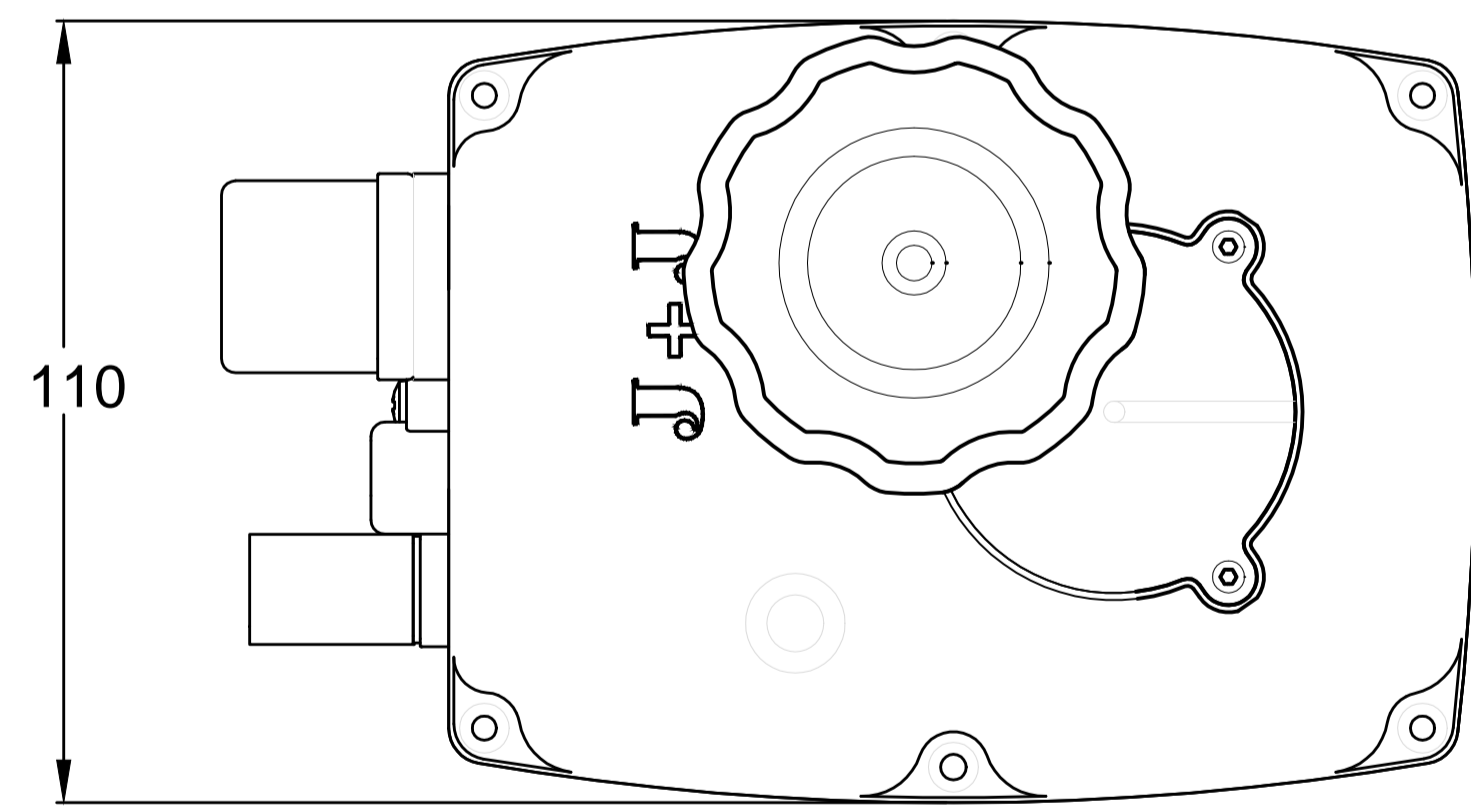
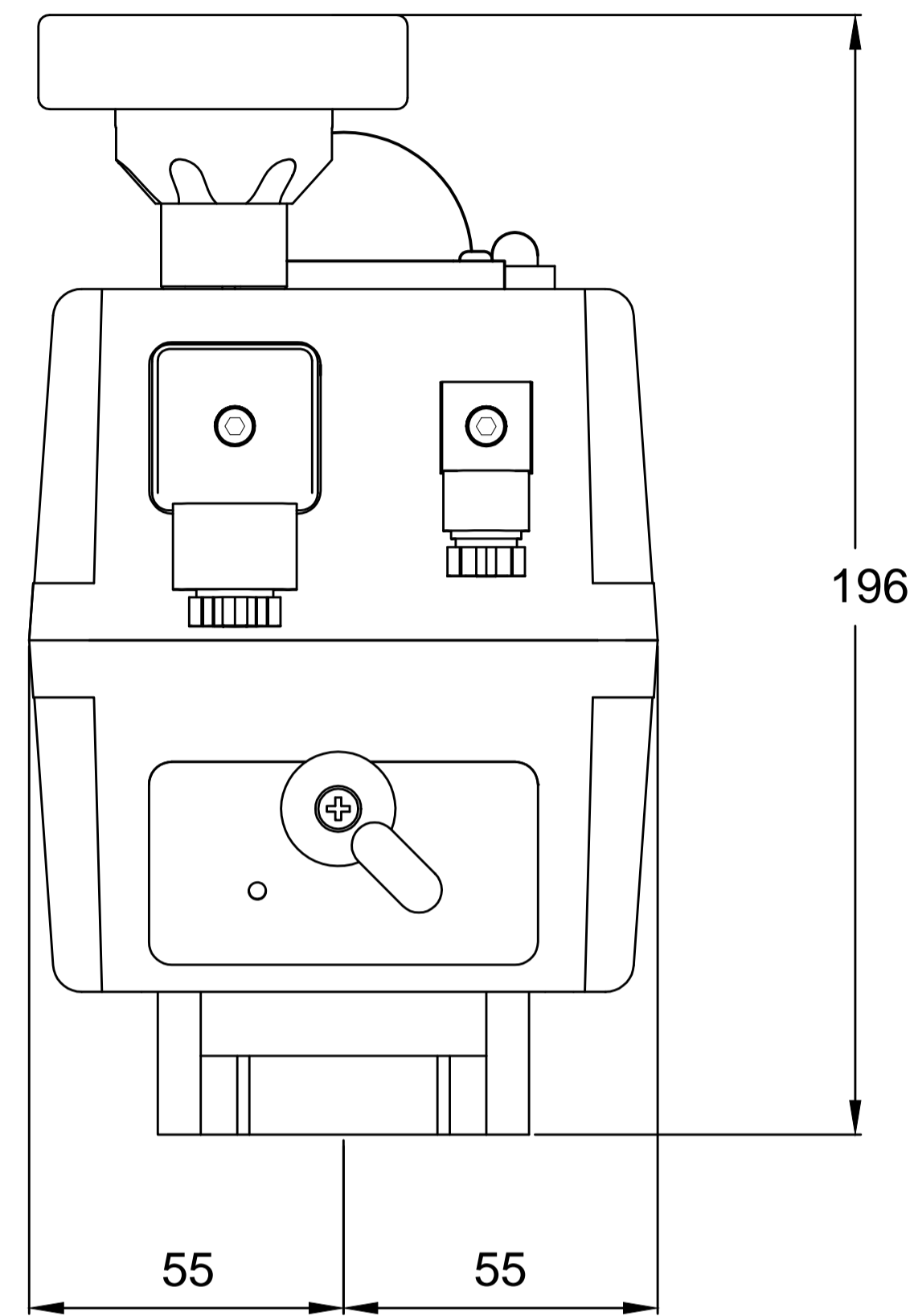
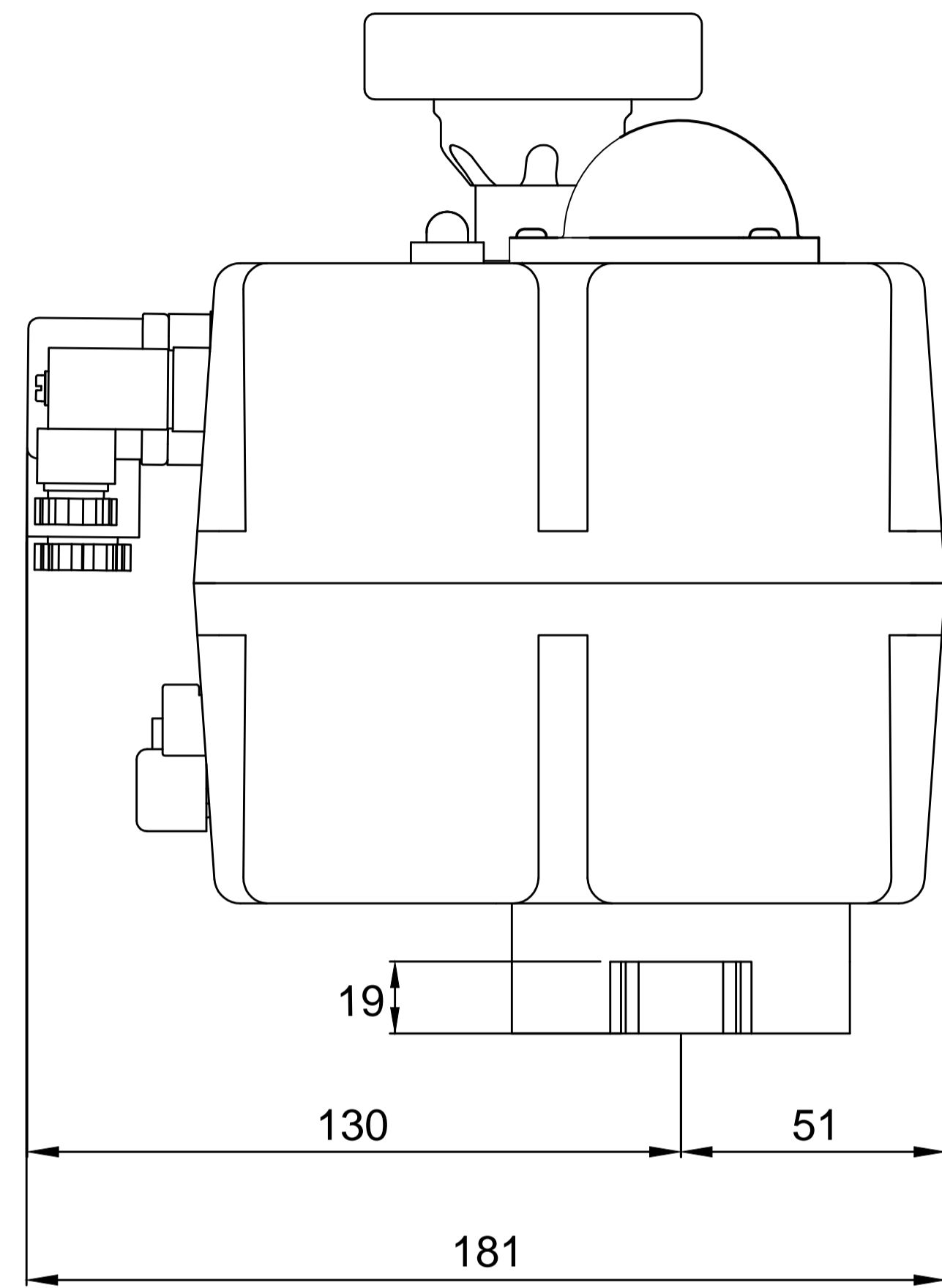


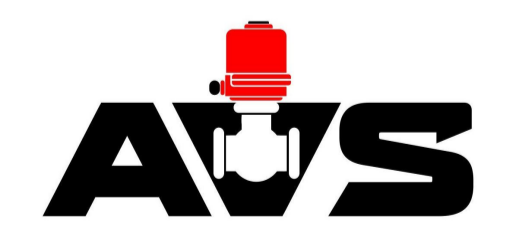
IF IN DOUBT ASK!

DO NOT SCALE PRINT!

DRAWING TO BS 8888



Notes:
1. Std = Grey base, red JJ logo cover



THIS DRAWING IS CONFIDENTIAL AND IS NOT TO BE REPRODUCED WITHOUT THE WRITTEN CONSENT OF Actuated Valve Supplies Limited
 TITLE J3C-S55 J+J ELECTRIC ACTUATOR WITH JJ LOGO
 STOCK CODE J+J3C-S55 DIM ARE mm
 SCALE 1:1
 J+J3C-S55
 DRAWING NUMBER SHEET 1 OF 1

JRM	HMM	SBW	NEW	17.07.17
APPROVED BY	CHECKED BY	DRAWN BY	ISSUE	CHANGE NO.
				DATE