

VB015



Overview

The VB015 multi-voltage electric valve actuator from the European electric actuator manufacturer Valbia offers an impressive list of standard features that include multi-voltage capability, protection against damage from over-torque or condensation, and emergency hand operation facility.

VB015 VALBIA Electric Actuator Specifications

Voltage range / Duty rating	Low voltage version	12V AC (1ph) or DC / 50% 24V AC (1ph) or DC / 75%
	High voltage version	100-240V AC (1ph) / 75%
Operating time (0-90° no load)	10 seconds	
Maximum break torque	15 Nm (133 lb.ins)	
IP Rating (IEC 60529)		IP65
Working angle Standard (on request)		90° (180° option)
Mounting ISO:5211 x DIN 3337		F03 & F05 x 11 (std)
Motor switches		2 x SPDT micro switches
End of travel confirmation (volt free)		2 x SPDT micro switches
Heater		Yes
Ambient temperature range		-20° to +55°C (-4 to +131°F)
Electrical connections		PG11 x 2
Weight		1.4 kg
VB015 Consumption		
High Voltage Version	Nominal Voltage	100-240V AC (1 ph 50/60Hz)
	Current	0.3 - 0.19A
	Power	30-46 VA
High Voltage Version	Nominal Voltage	12V AC/DC / 24V AC/DC
	Current 12V / 24V	1.2A / 0.6A
	Power	15VA
Frequency		50/60Hz

How this VB015 electric 1/4 turn valve actuator works (on-off)

Electrically operated valves are driven by an electric actuator containing a motor and gearbox. On receipt of a continuous voltage signal (not pulse) the motor runs and, via a gearbox in the electric actuator, rotates the valve stem. The motor stops at the desired position (usually 0° or 90°) by an internal cam striking a micro-switch. The valve actuator remains in this position, with the voltage still applied continuously, until switched and a continuous voltage reversing signal (not pulse) is applied, which runs the motor in the opposite direction, reversing the rotation until a separate internal cam strikes a separate micro-switch and stop the motor. The VB015 actuator is designed to have the external power continuously applied, and power must not be switched off when end of travel is achieved.

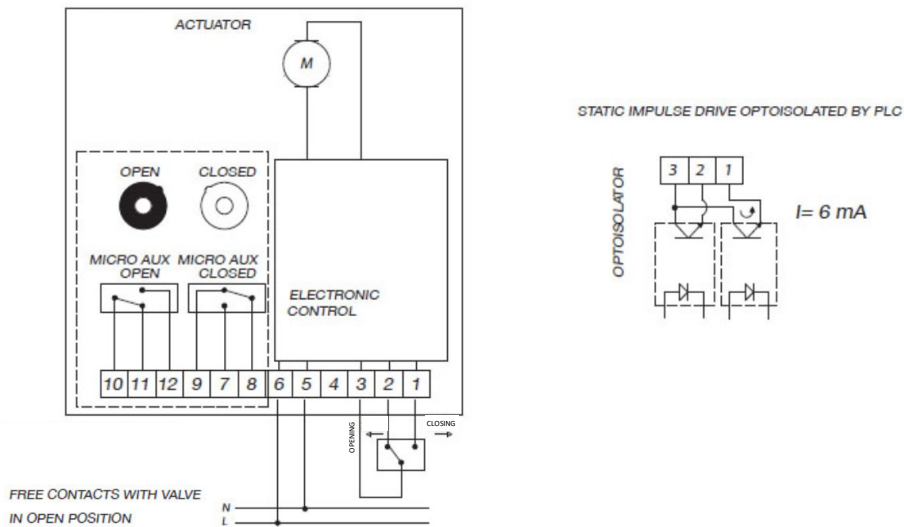
Available with actuator function: **POWER OPEN - POWER CLOSE**

Electrical Connections

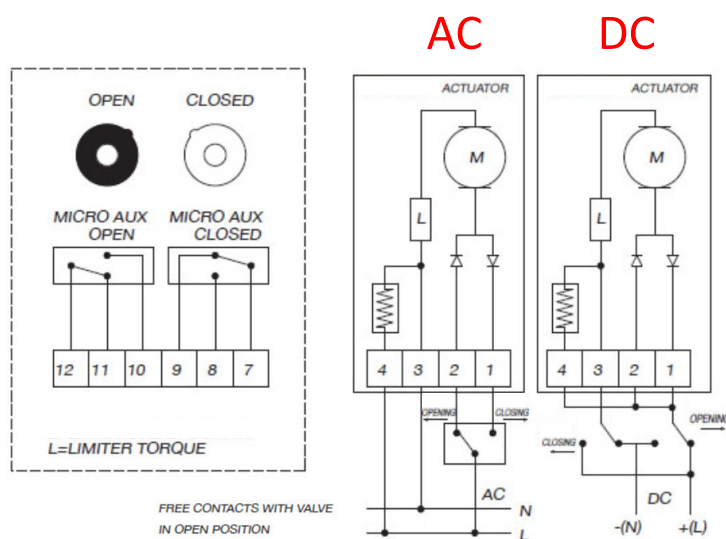
VBB-015 ON - OFF ELECTRIC ACTUATOR

Power open, power close, stays put on loss of external power.

High voltage wiring diagram 100-240VAC

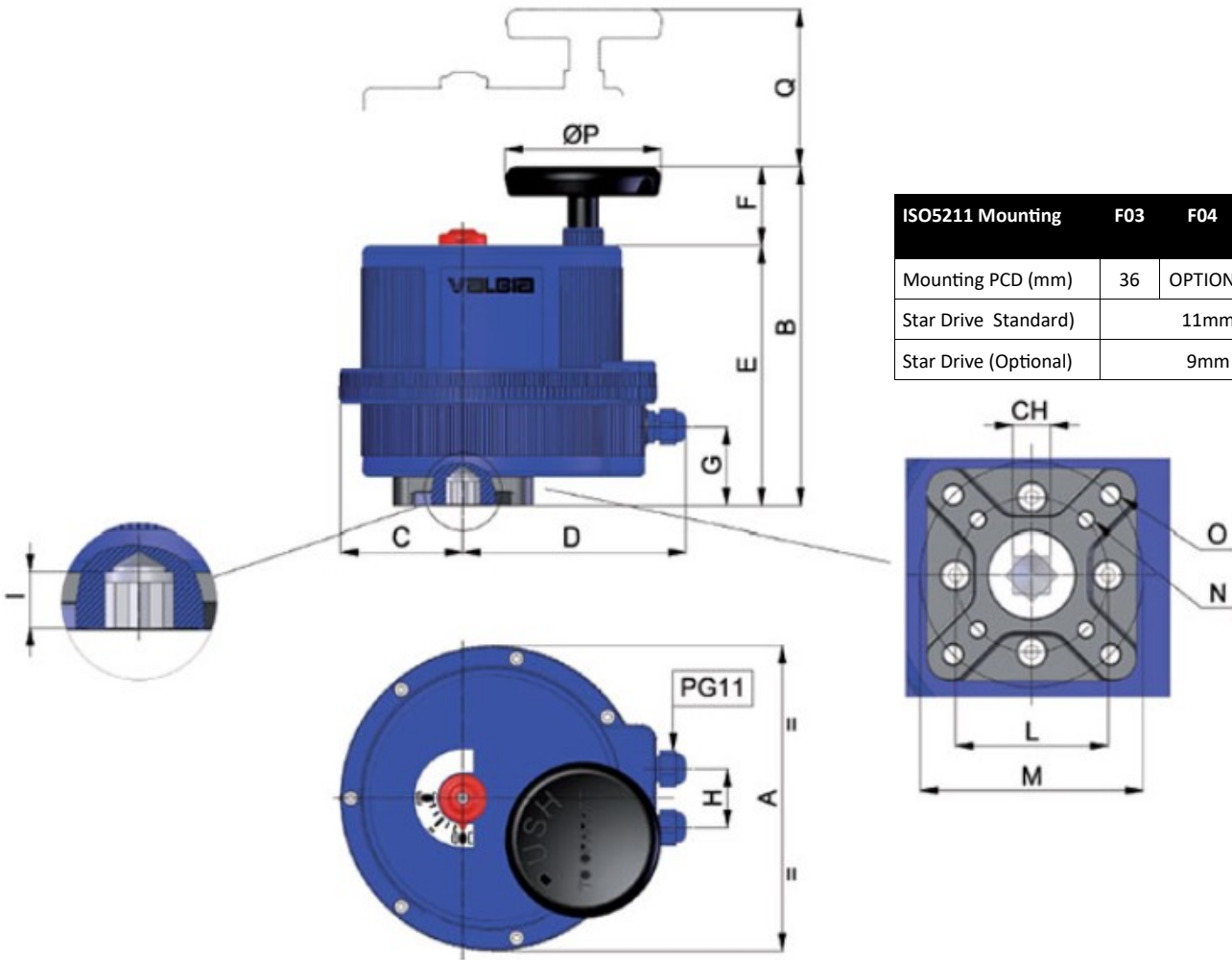


Low voltage AC and DC wiring is different - see wiring diagram below



Available with actuator function: **POWER OPEN - POWER CLOSE**

VB015 Dimensions



ISO5211 Mounting	F03	F04	F05
Mounting PCD (mm)	36	OPTION	50
Star Drive (Standard)	11mm		
Star Drive (Optional)	9mm		

Dimensions (mm):

CH	A	B	C	D	E	F	G	H	I	L	M	N	O	P	Q
11	123	141.5	42.5	120.5	126	15.5	103	32	14	36	50	M5x12	M6x14	68	65