

Available with actuator function: **POWER OPEN - POWER CLOSE, FAILSAFE, MODULATING, FAILSAFE MODULATING**

VB030



Overview

The VB030 multi-voltage electric valve actuator from the European electric actuator manufacturer Valbia offers an impressive list of standard features that include multi-voltage capability, protection against damage from over-torque or condensation, and emergency hand operation facility.

Available modulating on request with either 4-20mA or 0-10V input and output, with factory fitted internal positioning system.

Available failsafe on request (except 12V version) with factory fitted internally installed battery back-up system.

VB030 VALBIA Electric Actuator Specifications

Voltage range / Duty rating	Low voltage version	12V AC (1ph) or DC / 50% 24V AC (1ph) or DC / 75%
	High voltage version	100-240V AC (1ph) / 75%
Operating time (0-90° no load)		8 seconds
Maximum break torque		266 lb. Ins (30Nm)
IP Rating (IEC 60529)		Similar to NEMA 4XC (IP67)
Working angle Standard (on request)		90° (180° & 270° option)
Mounting ISO:5211 x DIN 3337		F03 & F05 x 11 (std)
Motor switches		2 x SPDT micro switches
End of travel confirmation (volt free)		2 x SPDT micro switches
Heater		Yes
Ambient temperature range		-4 to +131°F (-20° to +55°C)
Electrical connections		PG11 x 2
Weight		5.1 lbs (2.3 kg)

VB030 Consumption

High Voltage Version	Nominal Voltage	100-240V AC (1 ph 50/60Hz)
	Current	0.34 - 0.2A
	Power	40-48 VA
High Voltage Version	Nominal Voltage	12V AC/DC / 24V AC/DC
	Current 12V / 24V	1.8 - 2.2A / 0.7 - 1.0A
	Power	22 - 26.5VA / 17 - 24VA
Frequency		50/60Hz

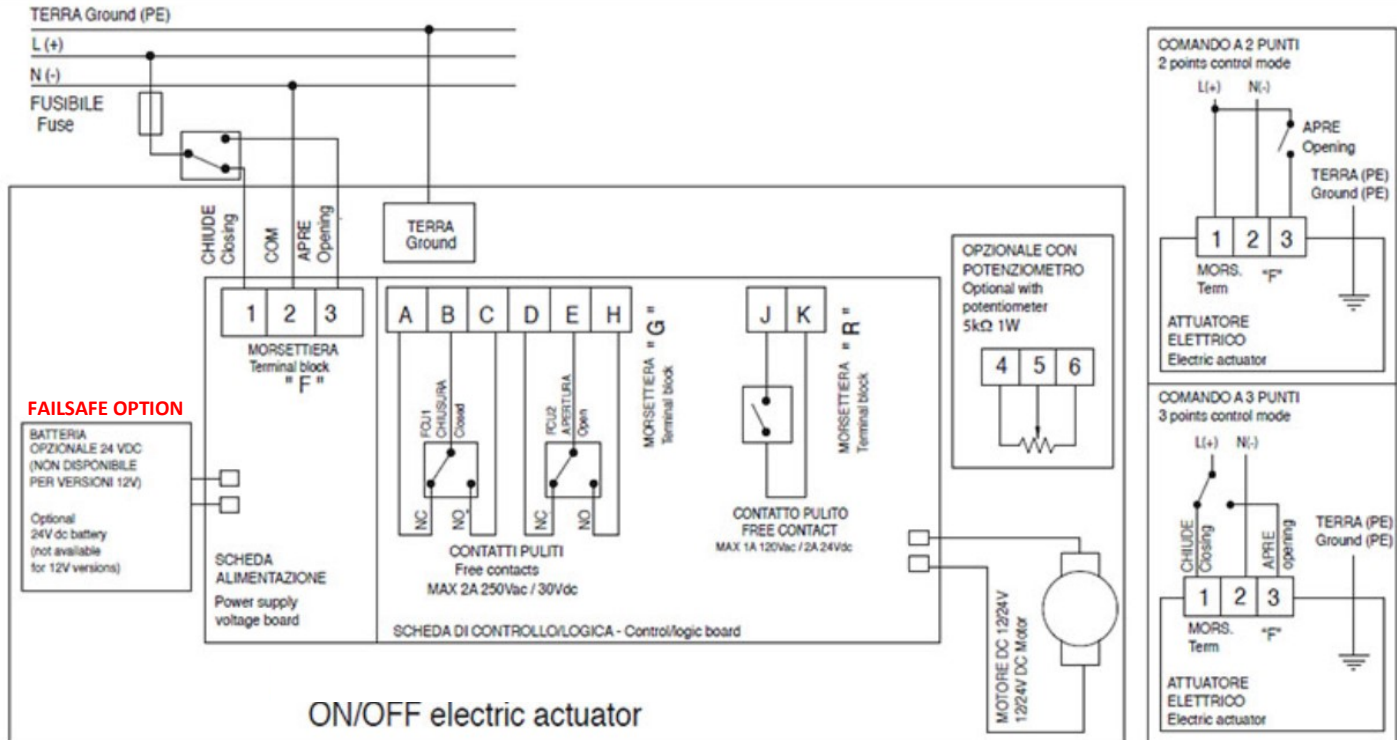
How this VB030 electric 1/4 turn valve actuator works (on-off)

Electrically operated valves are driven by an electric actuator containing a motor and gearbox. On receipt of a continuous voltage signal (not pulse) the motor runs and, via a gearbox in the electric actuator, rotates the valve stem. The motor stops at the desired position (usually 0° or 90°) by an internal cam striking a micro-switch. The valve actuator remains in this position, with the voltage still applied continuously, until switched and a continuous voltage reversing signal (not pulse) is applied, which runs the motor in the opposite direction, reversing the rotation until a separate internal cam strikes a separate micro-switch and stop the motor. The VB030 actuator is designed to have the external power continuously applied, and power must not be switched off when end of travel is achieved.

Available with actuator function: **POWER OPEN - POWER CLOSE, FAILSAFE, MODULATING, FAILSAFE MODULATING**

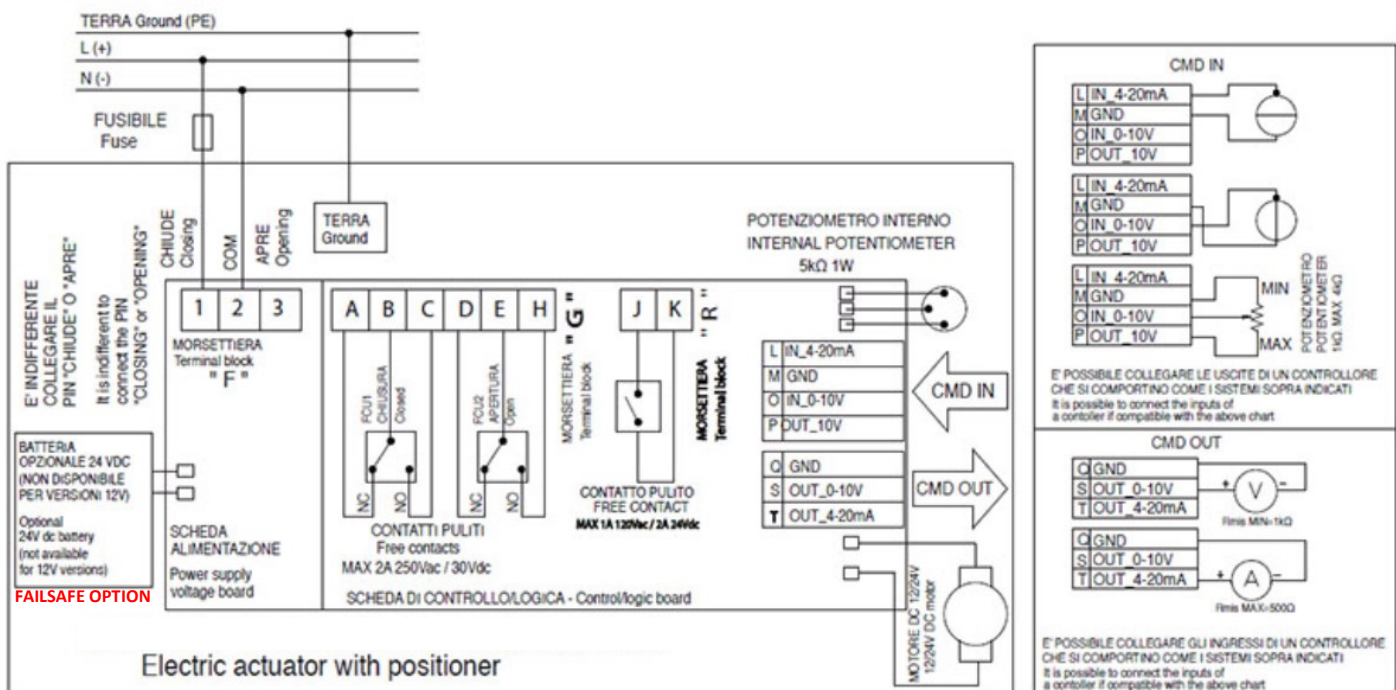
VB-030 ON - OFF ELECTRIC ACTUATOR

Power open, power close, stays put on loss of external power.



VB-030 MODULATING ELECTRIC ACTUATOR

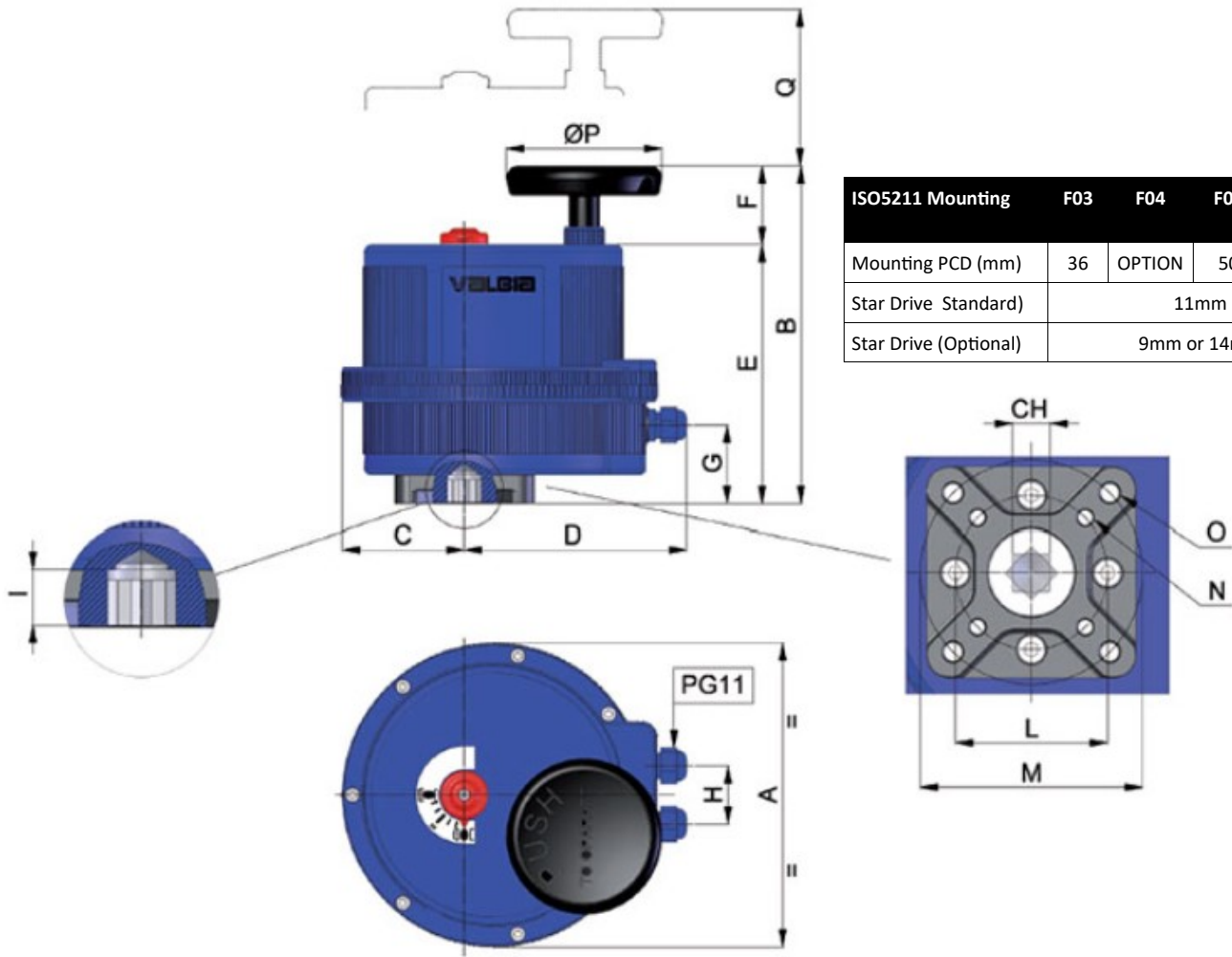
Proportional control, stays put on loss of external power.



Evitare che il segnale di massa/neutro dell'alimentazione COM collegato al morsetto "2" della morsetteria "F", non sia allo stesso potenziale elettrico della massa del segnale di comando "GND" della morsetteria "CDM IN" o della massa dell'uscita di segnalazione "GND" della morsetteria "CDM OUT".
 The power supply COM signal (pin "2" terminal block "F") must not share the same electrical command ground signal (pin "GND" terminal block "CDM IN") or feedback ground signal (pin "GND" terminal block "CDM OUT").

Available with actuator function: **POWER OPEN - POWER CLOSE, FAILSAFE, MODULATING, FAILSAFE MODULATING**

VB030 Dimensions



ISO5211 Mounting	F03	F04	F05	F07
Mounting PCD (mm)	36	OPTION	50	OPTION
Star Drive Standard)	11mm			
Star Drive (Optional)	9mm or 14mm			

Dimensions (mm):															
CH	A	B	C	D	E	F	G	H	I	L	M	N	O	P	Q
11	157	188	60.5	129.5	146	42	33	36	12	36	50	M5x12	M6x14	65	100