

Available with actuator function: **POWER OPEN - POWER CLOSE, FAILSAFE, MODULATING, FAILSAFE MODULATING**

## VB110



### Overview

The VB110 multi-voltage electric valve actuator from the European electric actuator manufacturer Valbia offers an impressive list of standard features that include multi-voltage capability, protection against damage from over-torque or condensation, and emergency hand operation facility.

Available modulating on request with either 4-20mA or 0-10V input and output, with factory fitted internal positioning system.

Available failsafe on request (except 12V version) with factory fitted internally installed battery back-up system.

### VB110 VALBIA Electric Actuator Specifications

Voltage range / Duty rating	Low voltage version	12V AC (1ph) or DC / 50% 24V AC (1ph) or DC / 75%
	High voltage version	100-240V AC (1ph) / 75%
Operating time (0-90° no load)	27 seconds	
Maximum break torque	110 Nm (974 lb.ins)	
IP Rating (IEC 60529)	IP67	
Working angle Standard (on request)	90° (180° & 270° option)	
Mounting ISO:5211 x DIN 3337	F05 & F07 x 17 (std)	
Motor switches	2 x SPDT micro switches	
End of travel confirmation (volt free)	2 x SPDT micro switches	
Heater	Yes	
Ambient temperature range	-20° to +55°C (-4 to +131°F)	
Electrical connections	PG11 x 2	
Weight	4.9 kg	

### VB110 Consumption

High Voltage Version	Nominal Voltage	100-240V AC (1 ph 50/60Hz)
	Current	0.2 - 0.4A
	Power	40-48 VA
High Voltage Version	Nominal Voltage	12V AC/DC / 24V AC/DC
	Current 12V / 24V	1.8 - 2.2A / 0.7 - 1.0A
	Power	22 - 26.5VA / 17 - 24VA
Frequency	50/60Hz	

### How this VB110 electric 1/4 turn valve actuator works (on-off)

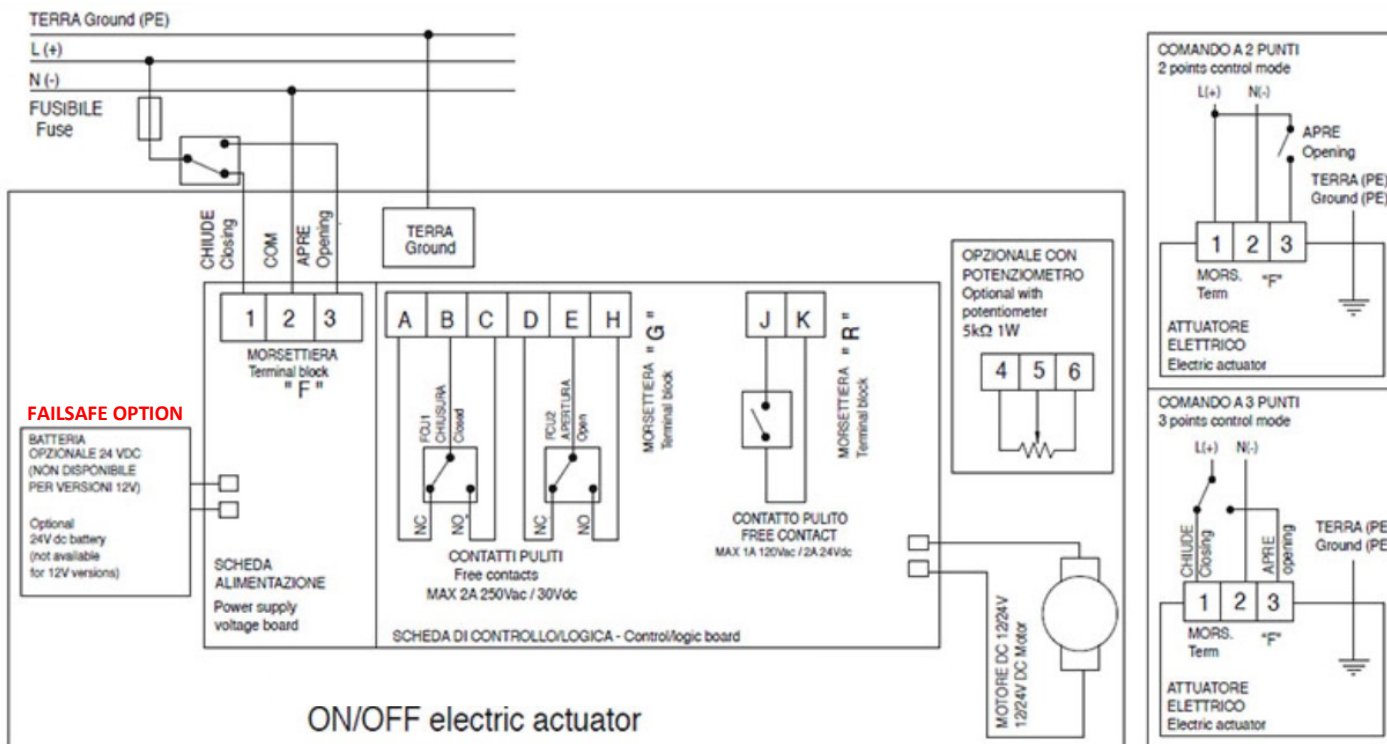
Electrically operated valves are driven by an electric actuator containing a motor and gearbox. On receipt of a continuous voltage signal (not pulse) the motor runs and, via a gearbox in the electric actuator, rotates the valve stem. The motor stops at the desired position (usually 0° or 90°) by an internal cam striking a micro-switch. The valve actuator remains in this position, with the voltage still applied continuously, until switched and a continuous voltage reversing signal (not pulse) is applied, which runs the motor in the opposite direction, reversing the rotation until a separate internal cam strikes a separate micro-switch and stop the motor. The VB110 actuator is designed to have the external power continuously applied, and power must not be switched off when end of travel is achieved.

Available with actuator function: **POWER OPEN - POWER CLOSE, FAILSAFE, MODULATING, FAILSAFE MODULATING**

### Electrical Connections

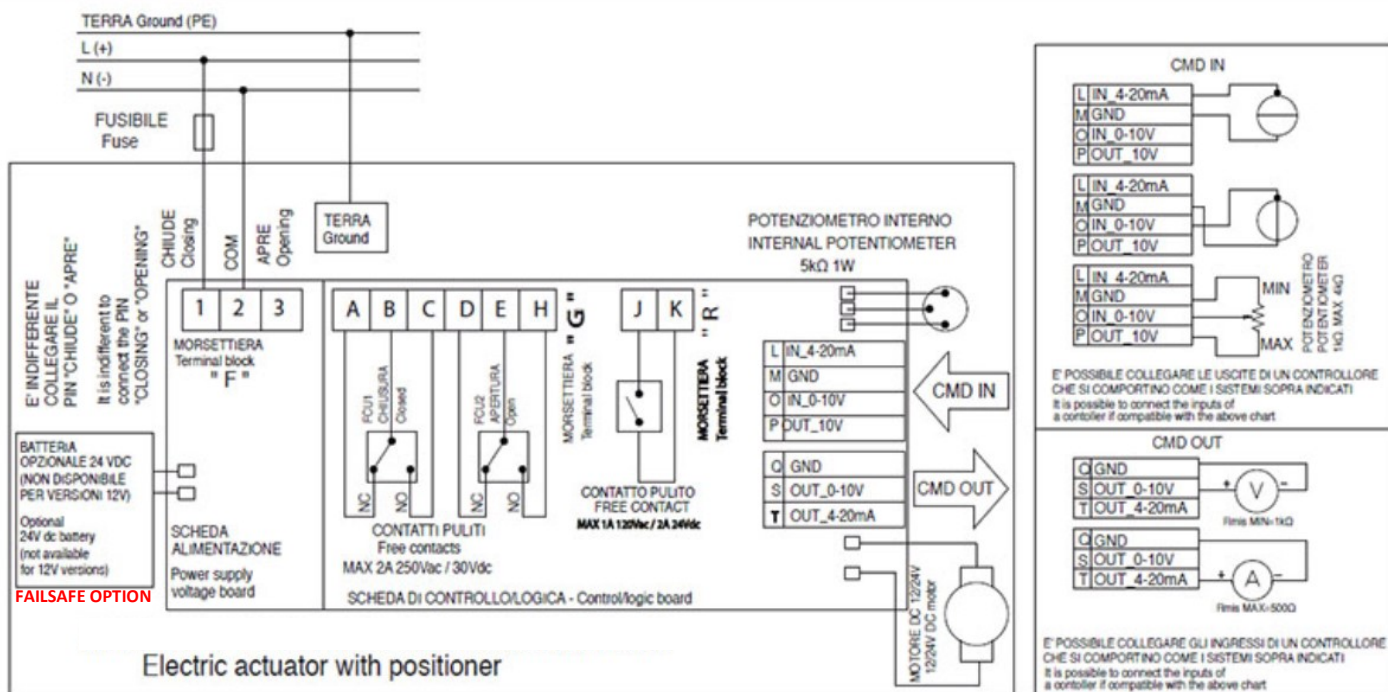
#### VB-110 ON - OFF ELECTRIC ACTUATOR

Power open, power close, stays put on loss of external power.



#### VB-110 MODULATING ELECTRIC ACTUATOR

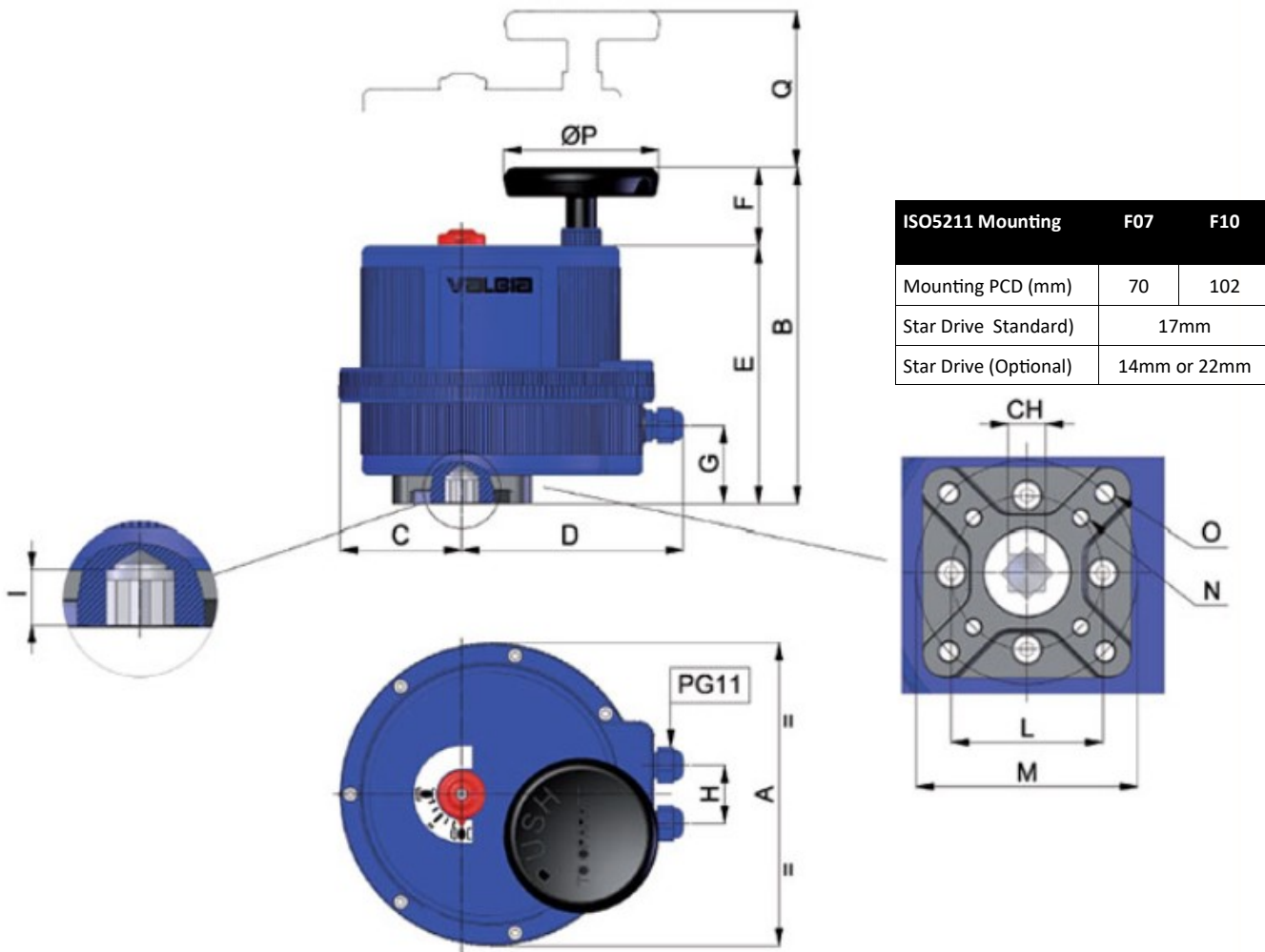
Proportional control, stays put on loss of external power.



Evitare che il segnale di massa/neutro dell'alimentazione COM collegato al morsetto "2" della morsettiera "F", non sia allo stesso potenziale elettrico della massa del segnale di comando "GND" della morsettiera "CDM IN" o della massa dell'uscita di segnalazione "GND" della morsettiera "CDM OUT".  
 The power supply COM signal ( pin "2" terminal block "F" ) must not share the same electrical command ground signal ( pin "GND" terminal block "CDM IN" ) or feedback ground signal ( pin "GND" terminal block "CDM OUT" ).

Available with actuator function: **POWER OPEN - POWER CLOSE, FAILSAFE, MODULATING, FAILSAFE MODULATING**

**VB110 Dimensions**



**Dimensions (mm):**

CH	A	B	C	D	E	F	G	H	I	L	M	N	O	P	Q
17	211	232.1	84	153	178	54.1	52	40	19	70	102	M*x20	M10x20	110	105