

Available with actuator function: **POWER OPEN - POWER CLOSE, FAILSAFE, MODULATING, FAILSAFE MODULATING**

VB270



Overview

The VB270 multi-voltage electric valve actuator from the European electric actuator manufacturer Valbia offers an impressive list of standard features that include multi-voltage capability, protection against damage from over-torque or condensation, and emergency hand operation facility.

Available modulating on request with either 4-20mA or 0-10V input and output, with factory fitted internal positioning system.

Available failsafe on request (except 12V version) with factory fitted internally installed battery back-up system.

VB270 VALBIA Electric Actuator Specifications

Voltage range / Duty rating	Low voltage version	12V AC (1ph) or DC / 50% 24V AC (1ph) or DC / 75%
	High voltage version	100-240V AC (1ph) / 75%
Operating time (0-90° no load)		50 seconds
Maximum break torque		2390lb.ins (270Nm)
IP Rating (IEC 60529)		Similar to NEMA 4X (IP67)
Working angle Standard (on request)		90° (180° & 270° option)
Mounting ISO:5211 x DIN 3337		F07 & F010 x 22 (std)
Motor switches		2 x SPDT micro switches
End of travel confirmation (volt free)		2 x SPDT micro switches
Heater		Yes
Ambient temperature range		-4 to +131°F (-20° to +55°C)
Electrical connections		PG11 x 2
Weight		13.2lbs (6.0 kg)

VB270 Consumption

High Voltage Version	Nominal Voltage	100-240V AC (1 ph 50/60Hz)
	Current	0.3 - 0.6A
	Power	60-72 VA
High Voltage Version	Nominal Voltage	12V AC/DC / 24V AC/DC
	Current 12V / 24V	2.85 - 3.8A / 1.2 - 1.8A
	Power	34 - 46A / 29 - 43VA
Frequency		50/60Hz

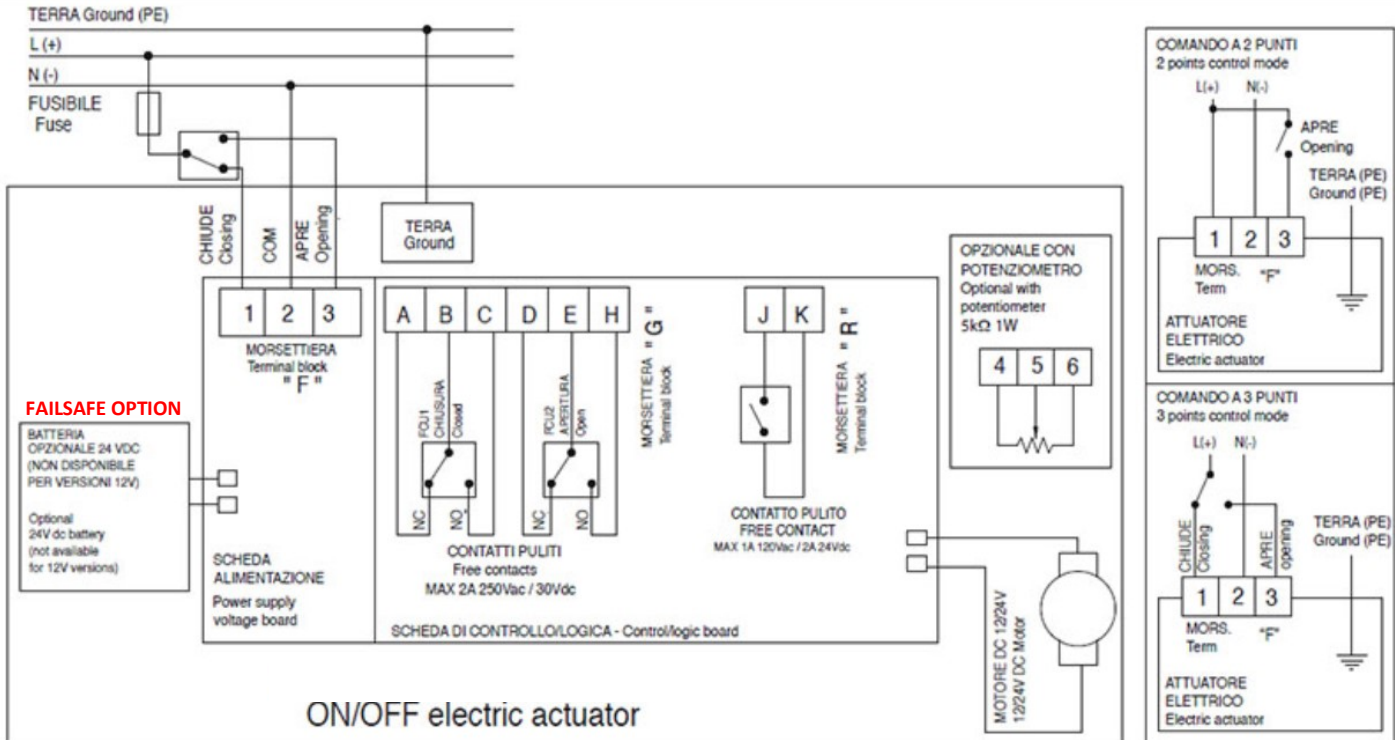
How this VB270 electric 1/4 turn valve actuator works (on-off)

Electrically operated valves are driven by an electric actuator containing a motor and gearbox. On receipt of a continuous voltage signal (not pulse) the motor runs and, via a gearbox in the electric actuator, rotates the valve stem. The motor stops at the desired position (usually 0° or 90°) by an internal cam striking a micro-switch. The valve actuator remains in this position, with the voltage still applied continuously, until switched and a continuous voltage reversing signal (not pulse) is applied, which runs the motor in the opposite direction, reversing the rotation until a separate internal cam strikes a separate micro-switch and stop the motor. The VB270 actuator is designed to have the external power continuously applied, and power must not be switched off when end of travel is achieved.

Available with actuator function: **POWER OPEN - POWER CLOSE, FAILSAFE, MODULATING, FAILSAFE MODULATING**

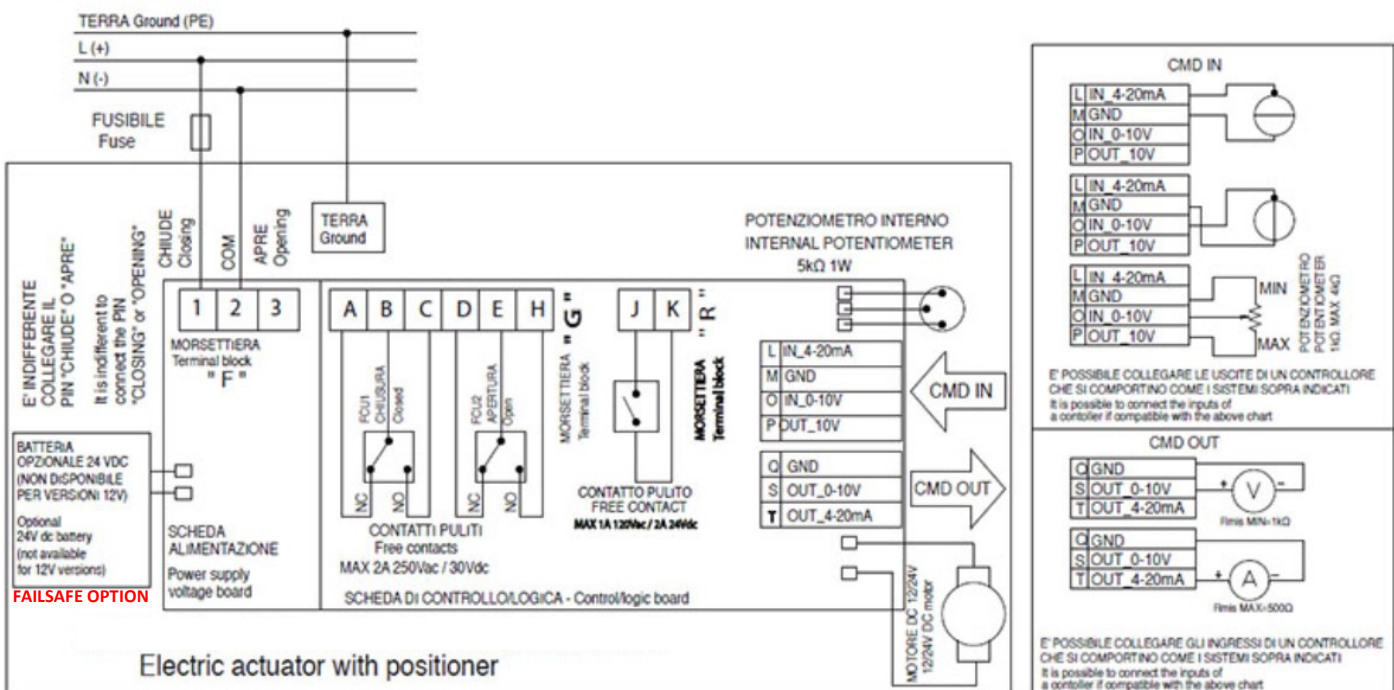
VB-270 ON - OFF ELECTRIC ACTUATOR

Power open, power close, stays put on loss of external power.



VB-270 MODULATING ELECTRIC ACTUATOR

Proportional control, stays put on loss of external power.

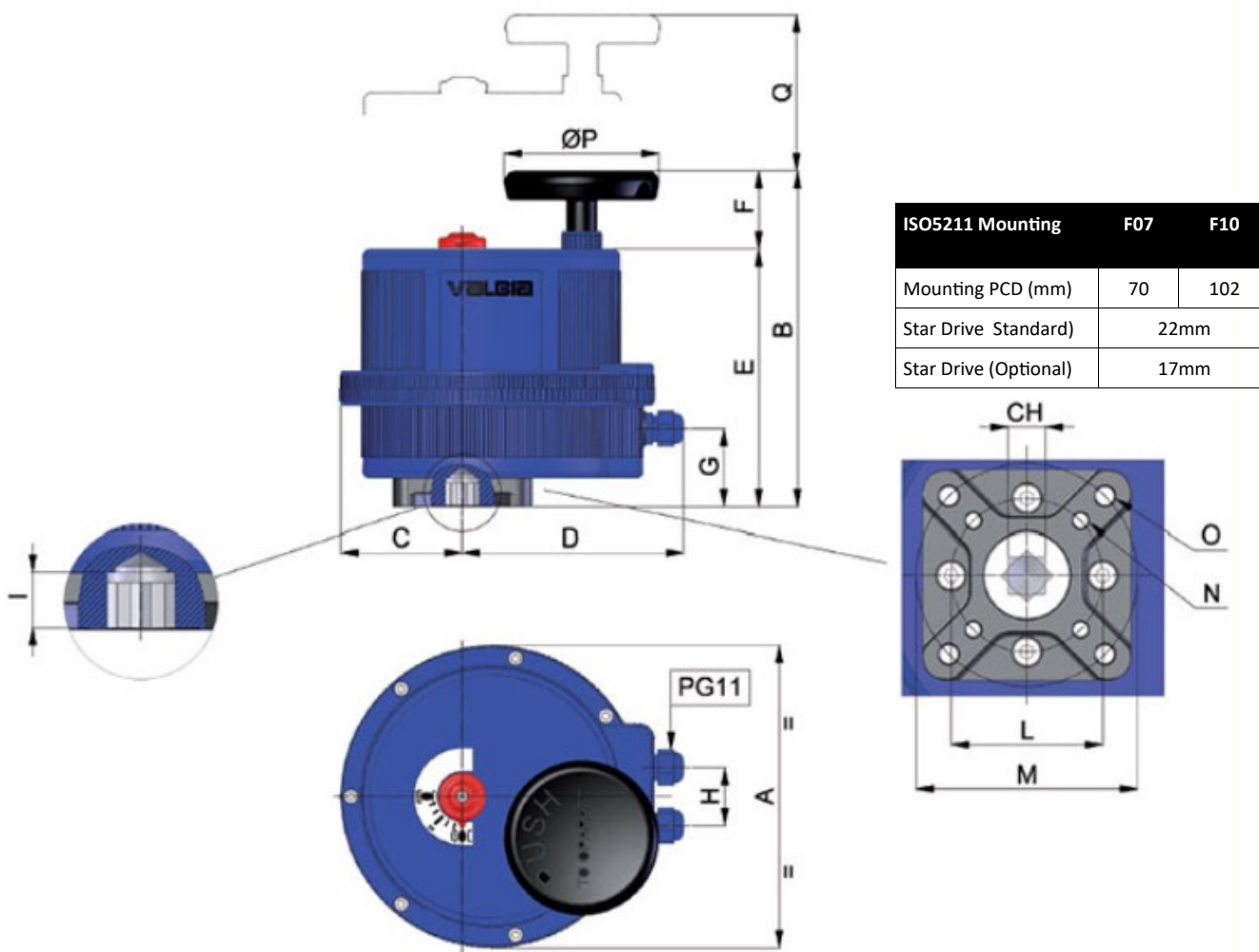


Evitare che il segnale di massa/neutro dell'alimentazione COM collegato al morsetto "2" della morsettierà "F", non sia allo stesso potenziale elettrico della massa del segnale di comando "GND" della morsettierà "CDM IN" o della massa dell'uscita di segnalazione "GND" della morsettierà "CDM OUT".
 The power supply COM signal (pin "2" terminal block "F") must not share the same electrical command ground signal (pin "GND" terminal block "CDM IN") or feedback ground signal (pin "GND" terminal block "CDM OUT").

In the interest of product improvement, specifications may change without notice.

Available with actuator function: **POWER OPEN - POWER CLOSE, FAILSAFE, MODULATING, FAILSAFE MODULATING**

VB270 Dimensions



Dimensions (mm):

CH	A	B	C	D	E	F	G	H	I	L	M	N	O	P	Q
22	222	233.5	77	170	182	51.5	54	40	24	70	102	M8x20	M10x20	110	105