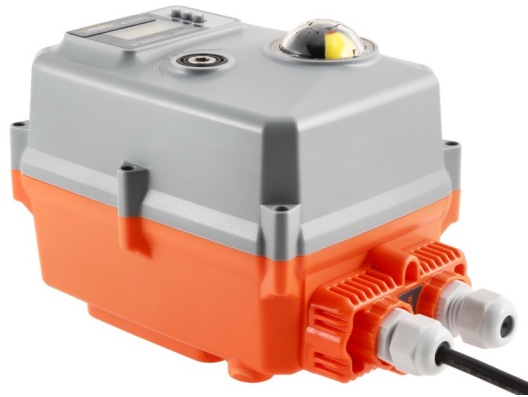


## COMPACT QUARTER TURN SMART ELECTRIC ACTUATOR

### AVA-S110.26 SMART MODULATING FAILSAFE 100Nm

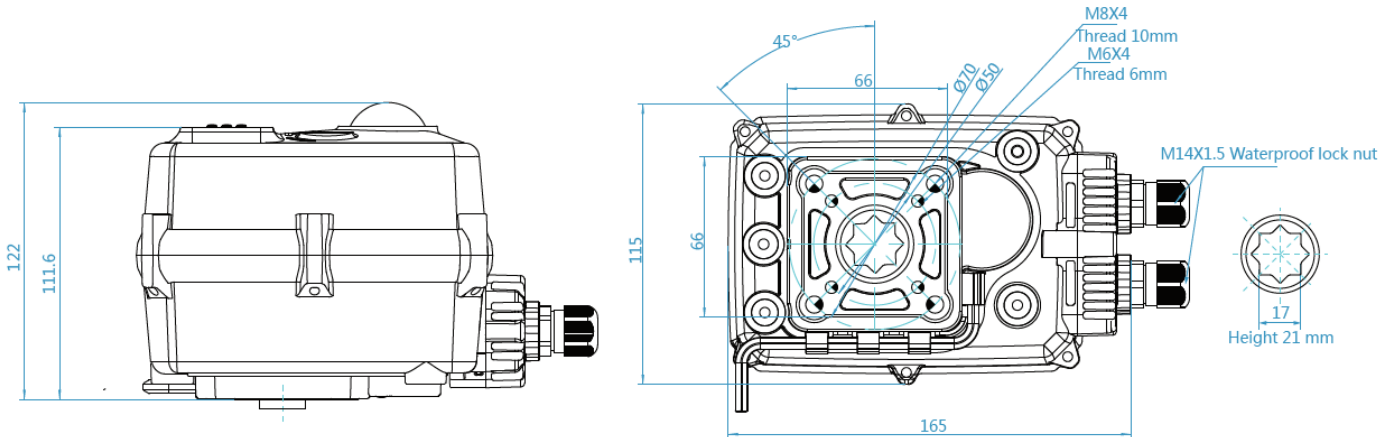


Model:	AVA-S110.26 100NM SMART MODULATING FAILSAFE ACTUATOR			
	AC	AC/DC	DC	DC
Rated Voltage	AC230V	AC/DC 24V	24VDC	12VDC
Voltage Range	AC 95-265V/DC100-300V	AC18-26/DC22-32V	DC22-32V	N/A
Consumption	12W run, 2.1W hold	12W run, 2.1W hold	24W run, 1.1W hold	N/A
Peak current	0.52A @ 5ms 230V	1.10A @ 5ms 24VDC	4.5A for 5ms 24VDC	N/A
Fuse	2A	5A	10A	N/A
Maximum Break Torque Nm	110			N/A
Run & Reseat Torque Nm	100			N/A
Manual operation	Yes, by hexagonal wrench (supplied in clip) when no power. Local control via touch buttons under power.			
Run time	≈ 10 sec			≈ 10 secs
<b>STANDARD FEATURES:</b> - Note for Series 60-110 you can select Modulating Control (eg 4-20Ma or 0-10V) via menu system. You can also select if Normally Open, Normally Closed or Stay Put on power loss. See User Guide document.				
Operating frequency	AC not continuous, 75% duty cycle but recommend allowing ≥1 min between cycles. DC is continuous.			
Position confirmation	Mechanically driven dome style visual 2 colour indicator + OLED screen 1.3"			
Mounting restriction	None, can be mounted at any angle. Leave room for space to operate manually, and for electrical connection			
End Position indication	Micro-switches operated by adjustable internal cams , set slightly ahead of the final motor stop position.			
ISO:5211	F05/07 x 17mm Octagon x 21mm deep			
Working Angle	Factory set at 90° ±2°, maximum angle of rotation 110° ±2°			
Control Options	4-20ma, 0-20mA, 0-5V, 1-5V, 0-10V and 2-10V			
Ingress protection	IP67			
Max media temp	>+ 80C			
Ambient temp	-20 to +80C			
Non-operating temp	≤ -40C to ≥80C			
Ambient humidity	5-95% RH non-condensing			
Explosion proof	No, prohibited. Do not use in hazardous areas			
Housing	ABS			
Weight	2.2kg			

Dimensions: (mm)

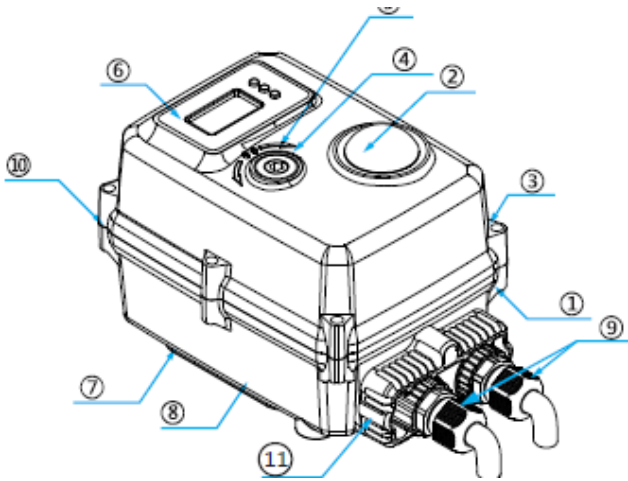
AVA-S110.26 100NM SMART MODULATING FAILSAFE ACTUATOR

Dimension **【Female octagonal】**



Materials:

AVA-S110.26 100NM SMART MODULATING FAILSAFE ACTUATOR



No	PART	MATERIAL
1	Housing	ABS
2	Indicator	Plastic
3	Screws	304
4	Manual Shaft	304
5	Manual Seal	NBR
6	Label	PVC
7	Allen Key	Steel
8	Base	ABS
9	Connector	Nylon
10	Seal	NBR
11	Terminal Cover	ABS

\* Note that screen only available on Smart series

Part Numbers:

AVA-S110.26 100NM SMART MODULATING FAILSAFE ACTUATOR

Model	Voltage	Housing	Heater	Control of Modulating function
AVA-110.26-	5 AC 95-265V	A ABS	0 None	P 4/20mA input / Output
	6 DC 24V		H 5W/24kΩ	U 0-10V input / Output
				G SPST. Switchable +ve/ live Relay position confirmation and alarm

NOTE: UK STANDARD STOCK IS WITH WIRING 'P', ANY OTHERS ARE FACTORY OPTIONS. DETAILS AVAILABLE ON REQUEST.

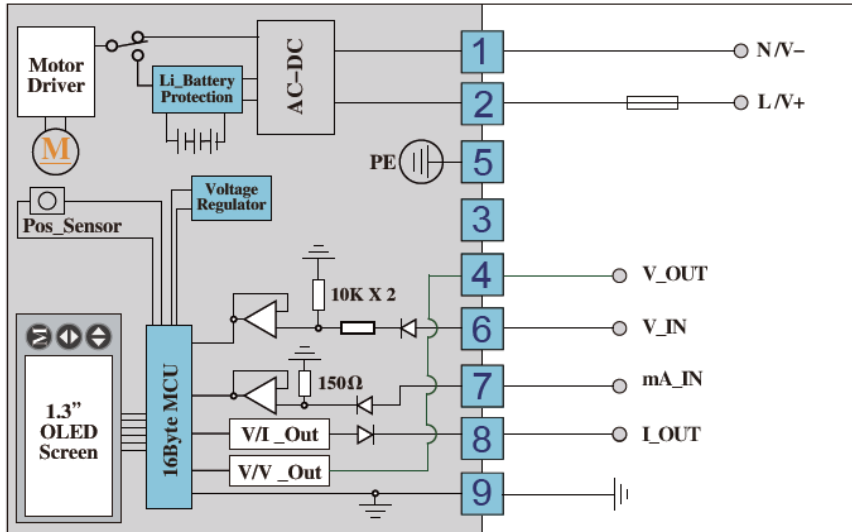


www.ActuatedValveSupplies.com

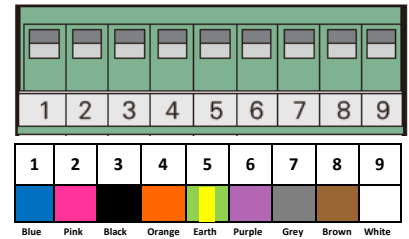
Details are subject to change without notice in the interests of product development and improvement.

## AC Wiring Diagrams: AVA-S110.26 100NM SMART MODULATING FAILSAFE ACTUATOR

Without alarm signal output function



9P-5.08 Terminal diagram

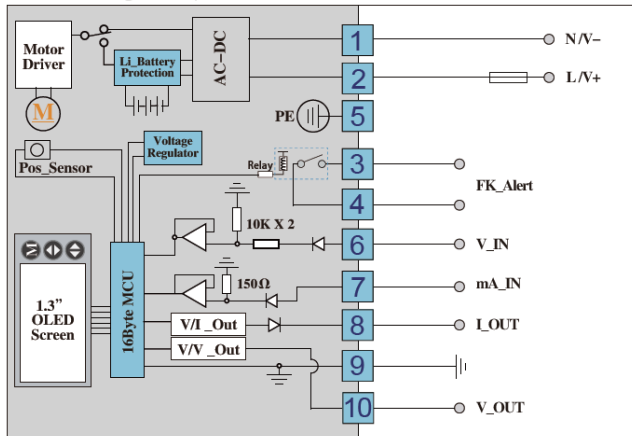


\*Call for additional wiring diagrams, factory lead time

1. Through menu can choose input way Voltage or Current, same can choose 0-5V, 0-10V, 2-10V, 1-10V, or 0-20MA, 4-20MA.
2. Output for actuator without alarm signal function can choose both Voltage and Current, with alarm signal function, customer must confirm that the output is Voltage or Current when place order.

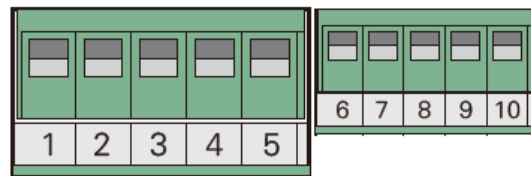
## S110.26 WIRING DIAGRAM WITH ALARM OUTPUT

With alarm signal output function



5P-5.08 Terminal

5P-3.81 Terminal



## OLED SCREEN USER GUIDE: AVA-S110.26 100NM SMART MODULATING FAILSAFE ACTUATOR



- M Key: to switch menus
- K2 Key: to switch Flash Item or adjust values
- K3 Key: to modulate numerical value
- Screen 1.3\"/>

Please ask for separate user guide document detailing screen by screen options, specific to actuator function.