

A

B

C

D

E

F

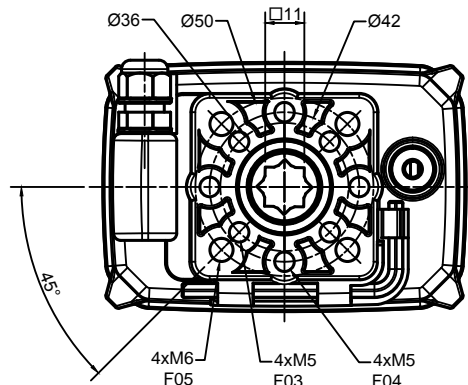
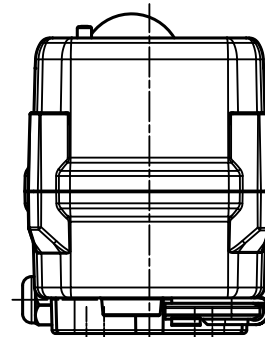
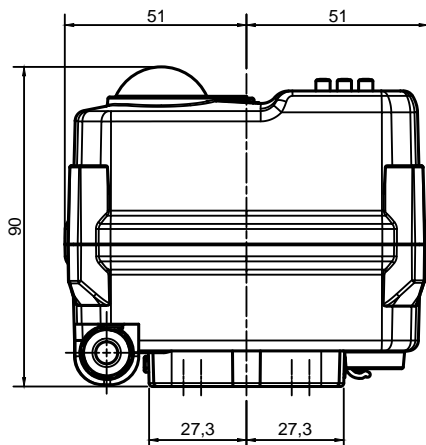
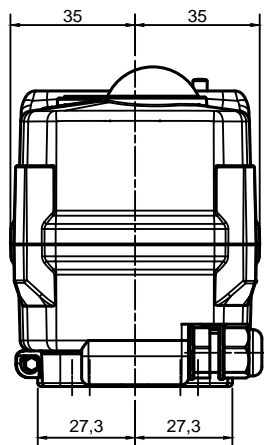
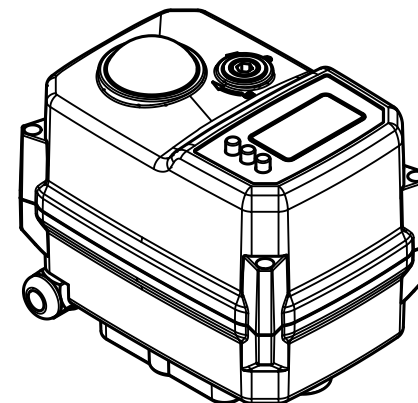
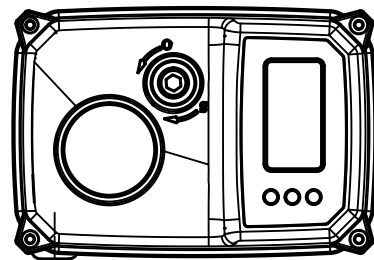
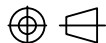

G

Drawing number AVA-SMART 20

3rd. Angle Projection. IF IN DOUBT ASK !

DO NOT SCALE PRINT !

DRAWING TO BS 8888

www.actuatedvalvesupplies.com

THIS DRAWING IS CONFIDENTIAL AND IS NOT TO BE REPRODUCED WITHOUT THE WRITTEN CONSENT OF Actuated Valve Supplies Limited

TITLE AVA SMART 20 ELECTRIC ACTUATOR

STOCK CODE AVA20S-CAD DIM ARE mm

SCALE 1:1

RM	MM	SBW	NEW		10.10.17
APPROVED BY	CHECKED BY	DRAWN BY	ISSUE	CHANGE NO.	DATE

AVA20S-CAD

DRAWING NUMBER SHEET 1 OF 1

RM	MM	SBW	NEW		10.10.17
APPROVED BY	CHECKED BY	DRAWN BY	ISSUE	CHANGE NO.	DATE

A

B

C

D

E

F

G

H

A2