

J3/J3C ELECTRICAL CONNECTIONS

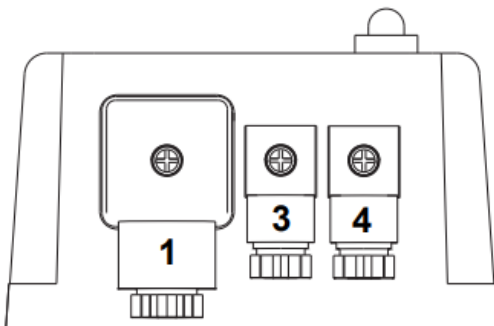
Overview:

- All external electrical connections are via supplied DIN plugs.
- No need to remove the actuator's cover to connect electrically.
- Grey plug is for external power
- Black plugs are for end of travel confirmation (2 plug cover), or proportional control input / output signal (3 plug cover)
- DIN plugs have O ring seal to achieve IP67 ingress protection



J3C-S Type **automatically** senses the following voltages: 24VDC, 48VDC, 110VDC, 220VDC, 24VAC, 110VAC, 120VAC, 220VAC
 J3C-B Type accepts only the following voltages: 12VDC, 12VAC

Function of DIN plugs

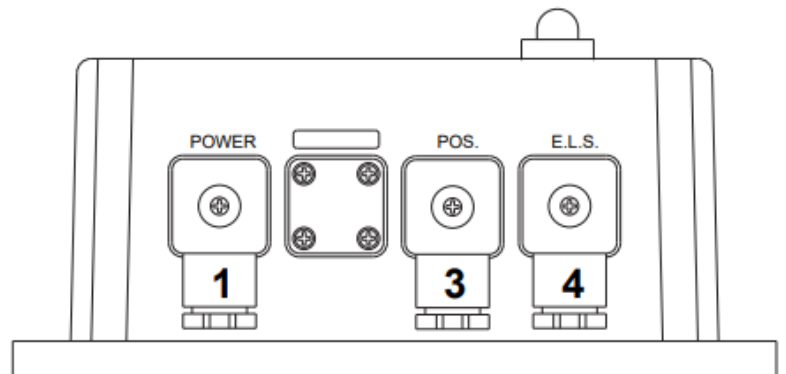


J3 Model 20, J3C Models 20, 35, 55, 85.

J3 Model 20 has lever override and indicator.

J3C has hand wheel override and dome indicator.

Housings the same for 'S' and 'B' Type.



J3C Models 140, 300



Housing style for:
 J3-S20 only
 J3-B20 only



Housing style for:
 J3C-S20-85
 J3C-B20-85

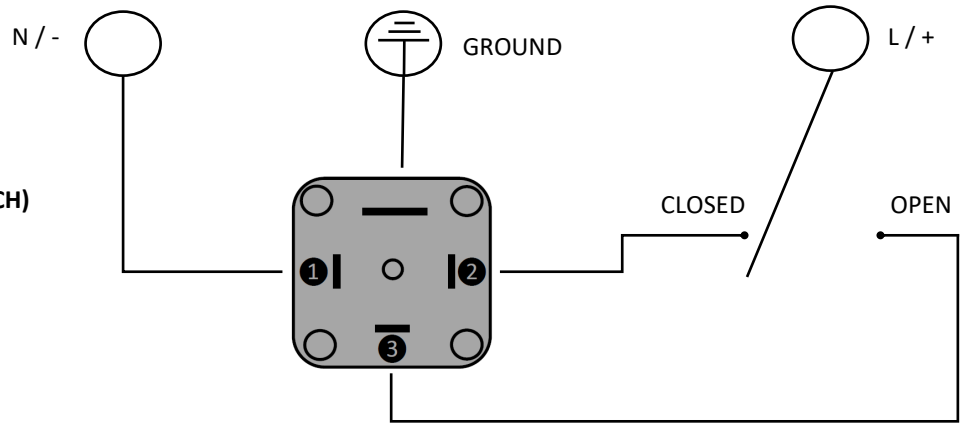
DIN Plug	Plug Colour	Function
1	Grey	External supply
2	Black	Not used
3	Black	Positioner control signal I/O (modulating)
4	Black	End of travel confirmation

J3/J3C WIRING DIAGRAMS

GREY POWER DIN PLUG

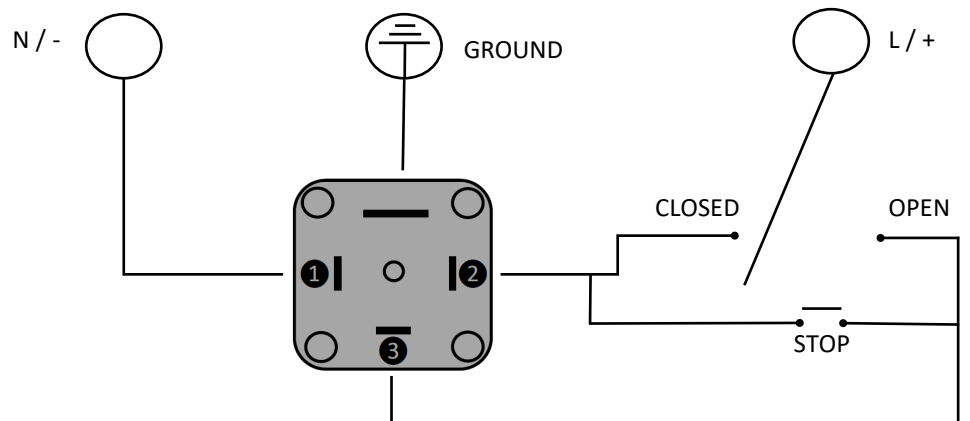
OPEN & CLOSE WIRING (SPDT SWITCH)

3 WIRE 2 POSITION
(FACTORY STANDARD)
AC or DC
ON-OFF & FAIL SAFE



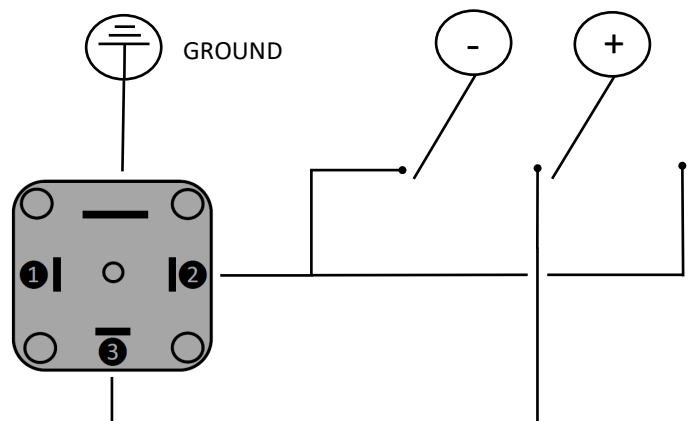
OPEN, CLOSE & STOP WIRING

3 WIRE 3 POSITION
(FACTORY STANDARD)
AC or DC
ON-OFF & FAIL SAFE



OPEN & CLOSE (POLARITY CHANGEOVER SWITCH)

2 WIRE 2 POSITION
(FACTORY STANDARD)
DC ONLY



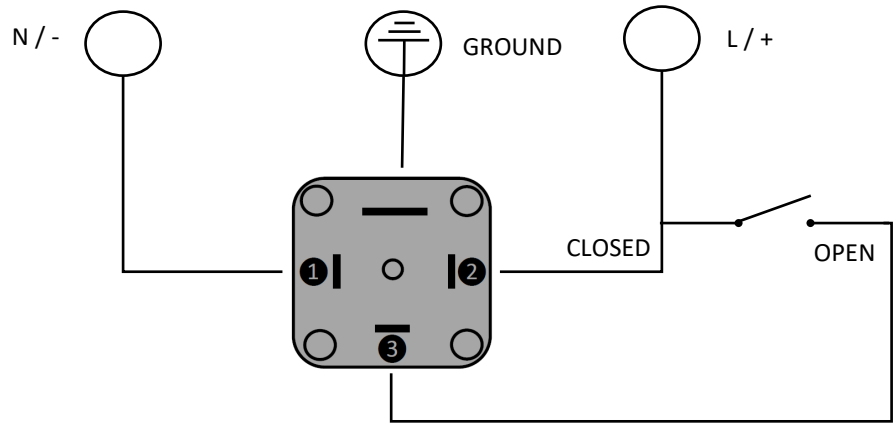
J3C-S Type **automatically** senses the following voltages: 24VDC, 48VDC, 110VDC, 220VDC, 24VAC, 110VAC, 120VAC, 220VAC
J3C-B Type accepts only the following voltages: 12VDC, 12VAC

J3/J3C WIRING DIAGRAMS

GREY POWER DIN PLUG

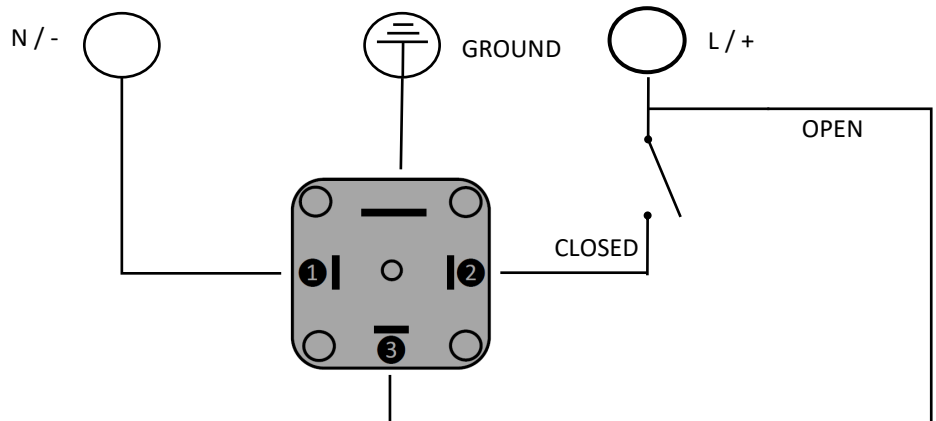
OPEN & CLOSE (SPST SWITCH)

2 WIRE 2 POSITION
(FACTORY OPTION)
AC or DC
NORMALLY CLOSED
ON-OFF & FAIL SAFE



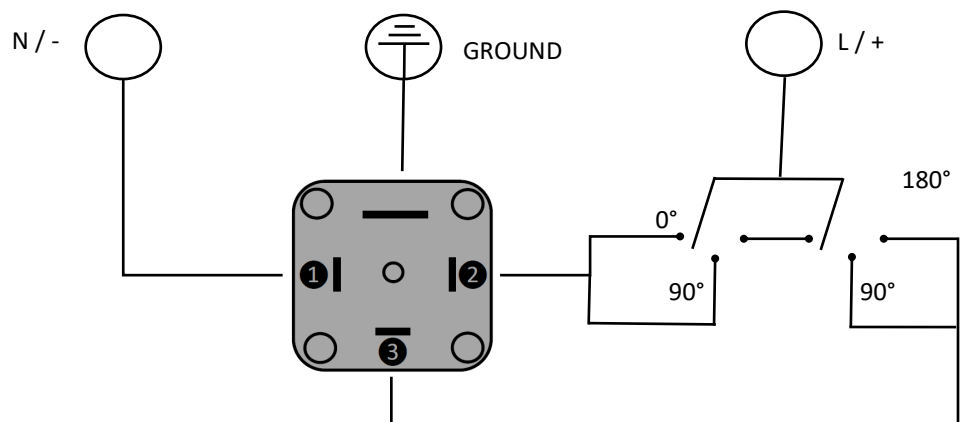
OPEN & CLOSE (SPST SWITCH)

2 WIRE 2 POSITION
(FACTORY OPTION)
AC or DC
NORMALLY OPEN
ON-OFF & FAIL SAFE



3 POSITION

3 WIRE 3 POSITION
(FACTORY OPTION)
3 WAY SWITCH
ON-OFF & FAIL SAFE

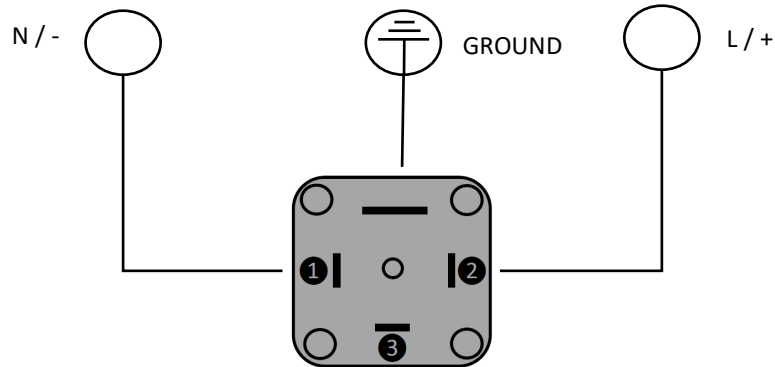


J3C-S Type **automatically** senses the following voltages: 24VDC, 48VDC, 110VDC, 220VDC, 24VAC, 110VAC, 120VAC, 220VAC
J3C-B Type accepts only the following voltages: 12VDC, 12VAC

J3/J3C WIRING DIAGRAMS

GREY DIN PLUG - MODULATING

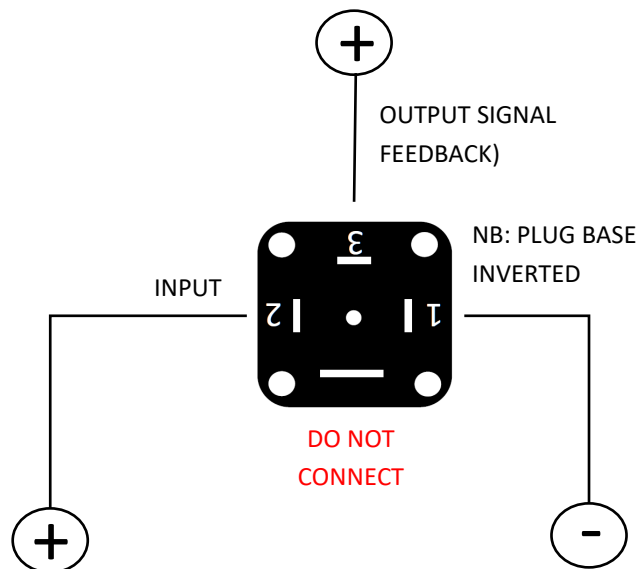
MODULATING
2 WIRE
AC or DC
PERMANENTLY APPLIED



J3/J3C WIRING DIAGRAMS

BLACK CENTRE DIN PLUG - MODULATING

MODULATING CONTROL
3 WIRE (INPUT & OUTPUT)
4-20mA, 0-20mA
0-10V, 2-10V



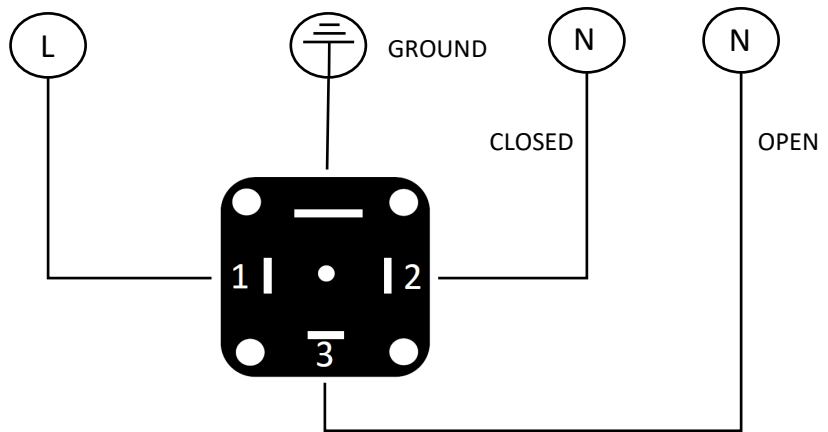
J3C-S Type **automatically** senses the following voltages: 24VDC, 48VDC, 110VDC, 220VDC, 24VAC, 110VAC, 120VAC, 220VAC
J3C-B Type accepts only the following voltages: 12VDC, 12VAC

J3/J3C WIRING DIAGRAMS

BLACK DIN PLUG - RIGHT SIDE END OF TRAVEL CONFIRMATION

END OF TRAVEL CONFIRMATION

3 WIRE
(FACTORY STANDARD)
AC or DC
VOLT FREE



J3C-S Type **automatically** senses the following voltages: 24VDC, 48VDC, 110VDC, 220VDC, 24VAC, 110VAC, 120VAC, 220VAC
J3C-B Type accepts only the following voltages: 12VDC, 12VAC