
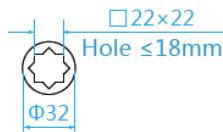
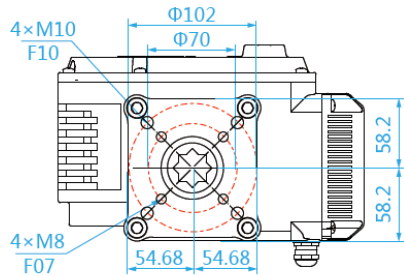
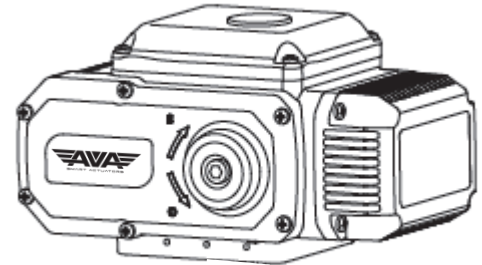
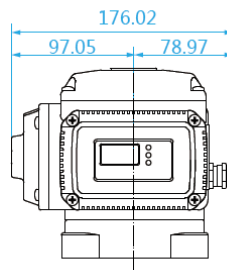
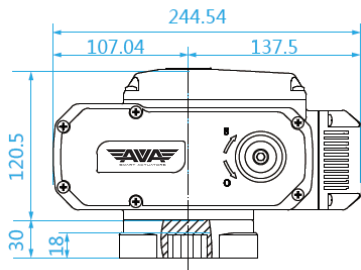


QUARTER TURN ELECTRIC ACTUATOR

AVA-S200.10 SMART ON-OFF 200Nm



Model	AVA-S200.10 200Nm SMART ON-OFF ELECTRIC ACTUATOR			
Rated Voltage	230V AC	110V AC		24V DC
Voltage Range	AC 190-250V 50/60Hz	AC 90-130V 50/60Hz		DC 22-28V
Consumption	150W run, 0.7W hold	150W run, 0.7W hold		120W run, 1.5W hold
Peak current	0.7A for 5ms	1.5A for 5ms		6A for 5ms
Fuse	5A	10A		10A
Maximum Break Torque Nm	200	200		200
Run & Reseat Torque Nm	180	180		180
Run time (90°)	≈ 30 sec	≈ 30 sec		≈ 10 secs
STANDARD FEATURES:				
Operating frequency	AC: Not continuous, 75% duty cycle but recommended to allow ≥ 1 minute between cycles. DC: Continuous			
Position sensing	Magnetic with digital sensing. No mechanical cams fitted.			
Maximum angle of rotation	110° ±5°			
Position indication (visual)	2 colour (red/ yellow) dome for local visual confirmation			
End Position indication	2 x Electronic relay			
Mounting restriction	None, can be mounted at any angle. Leave room for space to operate manually, and for electrical connection			
ISO:5211	F05 & F07			
Female drive	17mm octagon x 13mm deep			
Manual operation	Yes, by hexagonal wrench (supplied in clip) when no power is being applied			
Ingress protection	IP67, recommend cover provided if exposed to direct rain or sun			
Max media temp	≤ 80C			
Ambient temp	-20 to +60C			
Non-operating temp	≤ -40C to ≥80C			
Ambient humidity	5-95% RH non-condensing			
Explosion proof	No, absolutely prohibited. Do not use in hazardous areas			
Shock Resistance	≥300m/S2			
Vibration	10 to 55Hz, 1.5mm double amplitude (product damage most likely if exceeded)			
Noise level	Around 50dB			
Flame Retardant Level	V0 using the UL94 Test method			
Certification	CE			
Maintenance	Maintenance free			
Cable Entry	1 x Nickel plated brass			
Housing	Aluminium			
Weight	5.5Kg			



PART NUMBERING

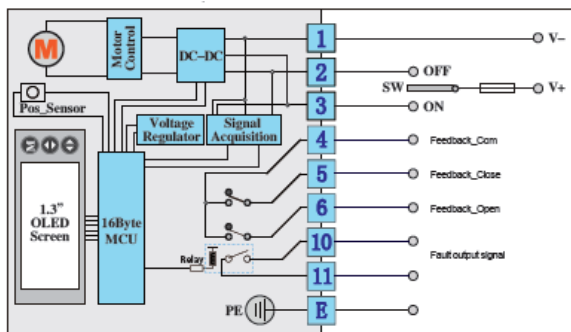
Model	Voltage	Cover	Heater	Control of on-off function and end of travel confirmation
AVA-S200.10-	1 AC 230V	A Aluminium	0 None	A SPDT. Switchable +ve/ live with volt free confirmation
	2 AC 110V		H 5W/24kΩ	B SPDT. Switchable +ve/ live with volt free confirmation & Alarm
	3 AC 24V			C SPST. Make to open, break to close with volt free confirmation
	4 DC 24V			D SPST. Make to open, break to close with volt free confirmation & Alarm
				E SPDT. Switchable +ve/ live with relay confirmation
				F SPDT. Switchable +ve/ live with relay confirmation Alarm
				G SPST. Make to open, break to close with relay confirmation
				H SPST. Make to open, break to close with relay confirmation & Alarm

NOTE: UK STANDARD STOCK IS WITH WIRING 'A', ANY OTHERS ARE FACTORY OPTIONS.

STANDARD WIRING DIAGRAM

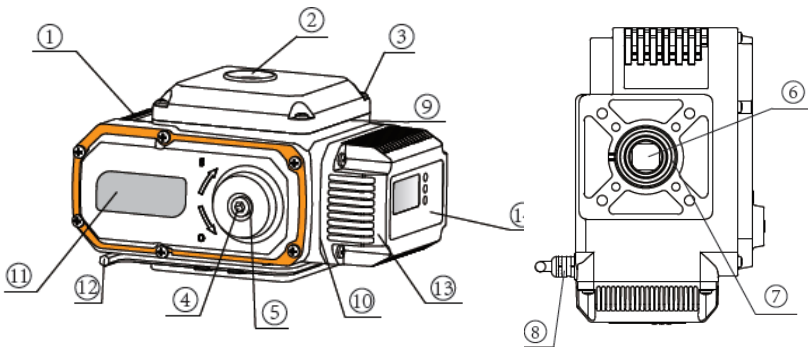
AVA-S200.10 100Nm SMART ON-OFF ELECTRIC ACTUATOR

AVA-S200.10 ON-OFF WIRING 'B'



SW	Valve Position	Confirmation	Notes
OFF	Closed	4 & 5 connected	No signal mid-travel
ON	Open	4 & 6 connected	

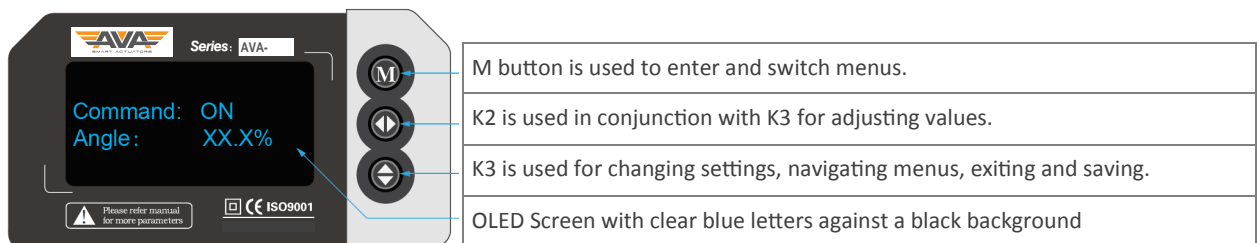
NOTE: UK STANDARD STOCK IS WIRING 'A', OTHERS ARE FACTORY OPTIONS. WIRING 'A' IS THE SAME AS 'B' SHOWN HERE EXCEPT IT DOES NOT HAVE THE RELAY POWERED FAULT CIRCUIT INSTALLED (TERMINAL POSITIONS 10 & 11)



No	PART	MATERIAL
1	Housing	Aluminium
2	Indicator	Clear plastic
3	Cover screws	304SS
4	Override drive	304SS
5	Seal	NBR
6	Output drive	304SS
7	Cover seal	NBR
8	Cable gland	NP Brass
9	Lid seal	NBR
10	Cover seal	NBR
11	Label	PVC
12	Allen key	Tool steel
13	Terminal box	Heatproof ABS
14	Screen	OLED

Overview: All AVA smart electric actuators have local controls as standard which combine an OLED screen and 3 positive feel push buttons to create local control and a variety of user friendly adjustments. The bright screen with blue letters on a black background are easy to read, and the use of the push buttons to adjust settings is intuitive. The local controls require power to be applied to the actuator to operate.

Local controls:



Standard local control function options:

MANUAL CONTROL	The AVA smart actuator can be opened and closed using the K2 and K3 buttons
DEAD BAND	Adjusts the accuracy and sensitivity
SPEED CONTROL	The working time can be increased either by setting a step timer (run/stop/run/stop), or continuous running adjusting the PWM
CLOSED POSITION	Small adjustments can easily and quickly be made to the final close position angle (zero adjustment).
REVERSE ACTING	Receiving an open command signal sends the AVA smart actuator to the closed position and vice versa
EXTEND ANGLE	Adjust the open position by adjusting the span. Typically used to set 0-180 degree operation
3 POSITIONS	Sets the 3rd position (subject to wiring style)