

COMPACT SMART HIGH SPEED ELECTRIC ACTUATOR

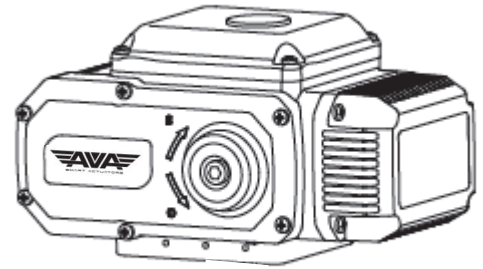
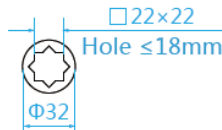
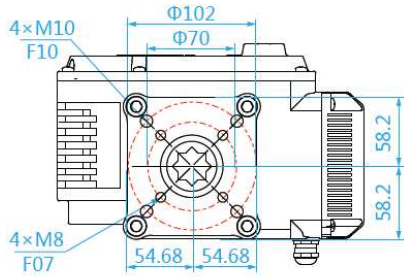
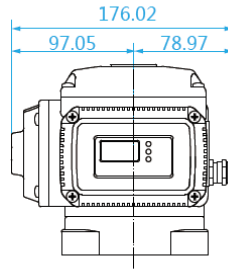
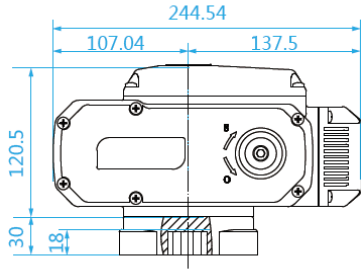
AVA-S200.19 SMART ON-OFF HIGH SPEED 50Nm



Model	AVA-S200.19 50Nm SMART ON-OFF ELECTRIC ACTUATOR	
Rated Voltage		24V DC
Voltage Range		DC 22-28V
Consumption		120W run, 1.5W hold
Peak current		6A for 5ms
Fuse		10A
Maximum Break Torque Nm		60
Run & Reseat Torque Nm		50
Run time (90°)		≈ 2 sec
STANDARD FEATURES:		
Operating frequency	DC: Continuous	
Position sensing	Magnetic with digital sensing. No mechanical cams fitted.	
Maximum angle of rotation	110° ±5°	
Position indication (visual)	2 colour (red/ yellow) dome for local visual confirmation	
End Position indication	2 x Electronic relay	
Mounting restriction	None, can be mounted at any angle. Leave room for space to operate manually, and for electrical connection	
ISO:5211	F05 & F07	
Female drive	17mm octagon x 13mm deep	
Manual operation	Yes, by hexagonal wrench (supplied in clip) when no power is being applied	
Ingress protection	IP67, recommend cover provided if exposed to direct rain or sun	
Max media temp	≤ 80C	
Ambient temp	-20 to +60C	
Non-operating temp	≤ -40C to ≥80C	
Ambient humidity	5-95% RH non-condensing	
Explosion proof	No, absolutely prohibited. Do not use in hazardous areas	
Shock Resistance	≥300m/S2	
Vibration	10 to 55Hz, 1.5mm double amplitude (product damage most likely if exceeded)	
Noise level	Around 50dB	
Flame Retardant Level	V0 using the UL94 Test method	
Certification	CE	
Maintenance	Maintenance free	
Cable Entry	1 x Nickel plated brass	
Housing	Aluminium	
Weight	5.5Kg	

DIMENSIONS

AVA-S200.19 500Nm SMART ON-OFF ELECTRIC ACTUATOR



PART NUMBERING

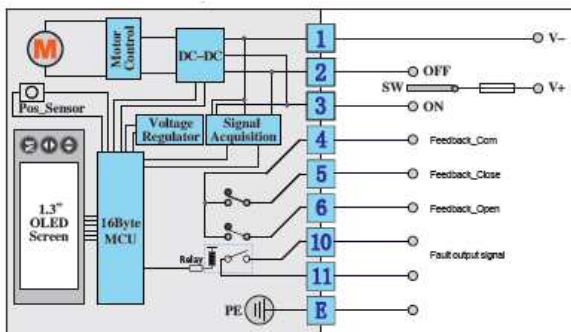
Model	Voltage	Housing	Heater	Control of on-off function
AVA-S200.19	4 DC 24V	A Aluminium	0 None	A SPDT. Switchable +ve/ live with volt free confirmation
			H 5W/24kΩ	B SPDT. Switchable +ve/ live with volt free confirmation & Alarm
				C SPST. Make to open, break to close with volt free confirmation
				D SPST. Make to open, break to close with volt free confirmation & Alarm
				E SPDT. Switchable +ve/ live with relay confirmation
				F SPDT. Switchable +ve/ live with relay confirmation Alarm
				G SPST. Make to open, break to close with relay confirmation
				H SPST. Make to open, break to close with relay confirmation & Alarm

NOTE: UK STANDARD STOCK IS WITH WIRING 'A', ANY OTHERS ARE FACTORY OPTIONS.

STANDARD WIRING DIAGRAM

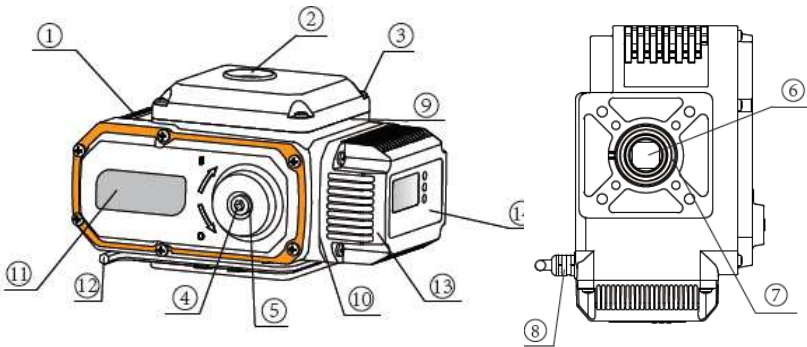
AVA-S200.109 50Nm SMART ON-OFF ELECTRIC ACTUATOR

AVA-S200.19 ON-OFF WIRING 'B'



SW	Valve Position	Confirmation	Notes
OFF	Closed	4 & 5 connected	No signal mid-travel
ON	Open	4 & 6 connected	

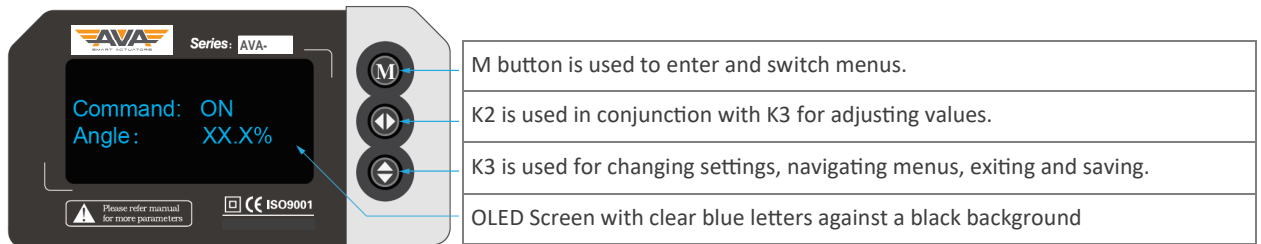
NOTE: UK STANDARD STOCK IS WIRING 'A', OTHERS ARE FACTORY OPTIONS. WIRING 'A' IS THE SAME AS 'B' SHOWN HERE EXCEPT IT DOES NOT HAVE THE RELAY POWERED FAULT CIRCUIT INSTALLED (TERMINAL POSITIONS 10 & 11)



No	PART	MATERIAL
1	Housing	Aluminium
2	Indicator	Clear plastic
3	Cover screws	304SS
4	Override drive	304SS
5	Seal	NBR
6	Output drive	304SS
7	Cover seal	NBR
8	Cable gland	NP Brass
9	Lid seal	NBR
10	Cover seal	NBR
11	Label	PVC
12	Allen key	Tool steel
13	Terminal box	Heatproof ABS
14	Screen	OLED

Overview: All AVA smart electric actuators have local controls as standard which combine an OLED screen and 3 positive feel push buttons to create local control and a variety of user friendly adjustments. The bright screen with blue letters on a black background are easy to read, and the use of the push buttons to adjust settings is intuitive. The local controls require power to be applied to the actuator to operate.

Local controls:



Standard local control function options:

- MANUAL CONTROL** The AVA smart actuator can be opened and closed using the K2 and K3 buttons
- DEAD BAND** Adjusts the accuracy and sensitivity
- SPEED CONTROL** The working time can be increased either by setting a step timer (run/stop/run/stop), or continuous running adjusting the PWM
- CLOSED POSITION** Small adjustments can easily and quickly be made to the final close position angle (zero adjustment).
- REVERSE ACTING** Receiving an open command signal sends the AVA smart actuator to the closed position and vice versa
- EXTEND ANGLE** Adjust the open position by adjusting the span. Typically used to set 0-180 degree operation
- 3 POSITIONS** Sets the 3rd position (subject to wiring style)