

## J4C S35 - Smart Electric Actuator

### Description

A compact electrical actuator for the control and regulation of valves.  
Utilising a new brushless-motor drive technology.  
Pre-set with 90° operation.  
Manufactured in accordance with ISO 5211 / DIN 3337.

Ships as standard with:

- Manual override handwheel
- 2 additional volt-free end of travel confirmation switches
- Electronic torque limiter
- Automatic anti-condensation heater.
- Multi-coloured status light.
- Dome visual position indicator
- Configurable operation via adjustable cam system (max. 340°)
- Standard 2 pin control or optionally 3 pin regulated operation control

### Technical Specifications

Voltage Range: 24 - 240V DC/AC (50/60 Hz)

Current Draw: 0.20 A - 1,67 A

Run Time @ 90°: 09 s ± 10%

Heater: 3.5 W

Max. Break Torque: 38 Nm


Max. Operating Torque: 35 Nm


Duty Rating: 75%

IP Rating (IEC 60529): IP67

Temperature Range: -20°C - +70°C

Flange: F03/F04/F05 - F07 via Kit

Mounting:  9 mm, 11 mm, 14 mm (Standard)

 11x16,5 mm

Connections: EN175301-803 Form A & Form C

Housing Material: Polyamide (PA6)

End of Travel Confirmation: SPST NO 5A 125V AC / 3A 250V AC

Weight: 1,9 kg



### Options

#### BSR (Battery Failsafe)

The drive moves in the event of a power failure to a predetermined safe position (Open or Closed)

**Variations: NC, NO**

*-Compatible with DPS, 3 position, potentiometer, and fixed line*

#### DPS (Digital Positioning System)

The actuator can be freely positioned (within the present range) via an input signal and outputs its position via an output signal.

**Available Input Ranges:**  
0-10V, 1-10V, 0-20mA, 4-20mA

#### 3 Position

The actuator can additionally move to a third middle position.

**Standard: 0°-90°-180°**

#### Fixed Line Wiring

The actuator is supplied with a fixed voltage on one of the control lines and drives to a given position based on whether voltage is supplied to the second control line or not.

**Variations: NC, NO**

#### Potentiometer

A potentiometer in the actuator indicates the actual position as an ohmic value.

**Variations: 1kΩ, 5kΩ, 10kΩ**

#### B-Series (12V Variant)

The actuator is operated with a supply voltage of 12V AC / DC.

**-Compatible with all options-**

#### Bluetooth

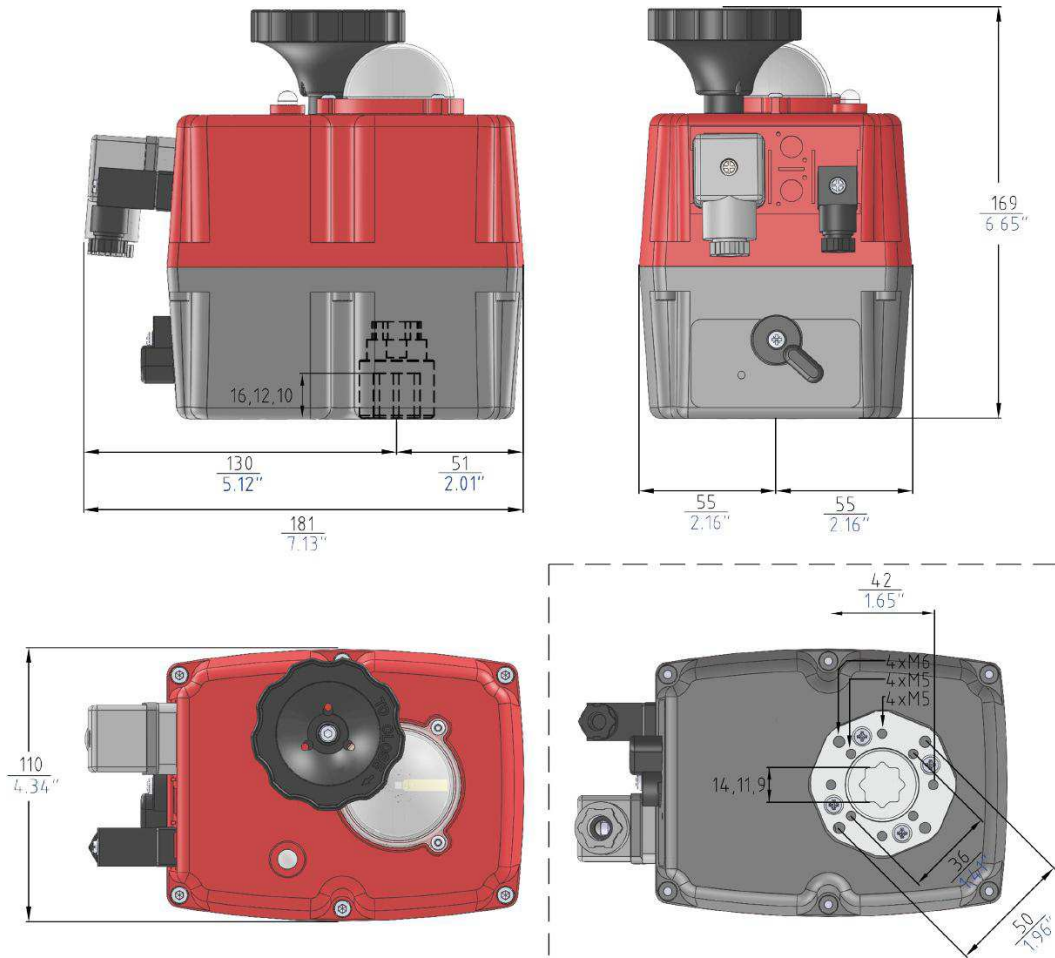
A Bluetooth module allows control signalling and position reporting wirelessly.

#### Modbus

A bus module allows control signalling and position reporting over a bus network.

## J4C S35 - Smart Electric Actuator

### Technical Drawings



### Wiring Diagram

